



Parts Manual



QUANTUM

IMPORTANT:

ALL ITEMS ARE IDENTIFIED WITH A PART NUMBER. Some of the smaller parts such as bolts, nuts, washers, etc. are not all shown, however, the quantity used are listed in the text for that section which they fit into. That particular quantity is always the quantity required for one complete assembly.

Smaller parts, which are welded together to construct a larger part, are not to be ordered as individual pieces, unless they have a part number to identify them.

Contact your nearest dealer for genuine repair parts. Dealers carry ample stock and are backed by the manufacturer and regional associations.

Powder Paint Introduced in 2022:

Quantum

40 – QT40220510 and newer using powder.

50 – QT50220587 and newer using powder.

60 – QT60220770 and newer using powder, except QT60220771 and QT60220789 (Blue Unit)

70 – QT70220815 and newer using powder, except QT70220820, QT70220821 and QT70220822 (Green Units)

MORRIS PAINT

Spray Cans:

Part Number	Description
S73107 - Prior to 2024	Red MORRIS Powder Touch-Up Aerosol Can
N75705 - 2024 to present	Red MORRIS Powder Touch-Up Aerosol Can
N75706 - 2024 to present	Black MORRIS Powder Touch-Up Aerosol Can
N75708 - 2024 to present	Primer MORRIS Powder Touch-Up Aerosol Can
N53713	1K Red MORRIS Touch-Up Pen 12 ml
N53715	1K Red MORRIS Aerosol Can 400 ml
N55450	2K Red Base MORRIS Aerosol Can 250 ml
N55452	2K Clear Coat MORRIS Aerosol Can 250 ml
N55453	2K Grey Primer MORRIS Aerosol Can 250 ml
K65885	White CF-546 Titan Aerosol Can 360 ml

Manuals

Part Number	Description
S66250	Operator's Manual
S66248	Metric Assembly Manual
S66249	Imperial Assembly Manual
S67901	Distribution Assembly Metric
S67900	Distribution Assembly Imperial

Table of Contents

Section 1:	
Frames	1-1
Hitch	1-2
40 ft to 70 ft - 12m to 21m	1-2
80 ft - 24m	1-4
Frame - Main	1-6
40 ft to 70 ft - 12m to 21m Carriage - Main	1-6
80 ft - 24m Carriage - Main - Prior to 2024	1-8
80 ft - 24m Carriage - Main - 2024 to Present	1-10
40 ft and 50 ft - 12m and 15m	1-12
60 ft - 18m	1-14
70 ft - 21m	1-16
80 ft - 24m	1-18
Frame - Wing	1-20
40 ft - 12m	1-20
50 ft - 15m - Version 1	1-22
50 ft - 15m - Version 2	1-24
50 ft - 15m - Flip Wing	1-26
60 ft - 18m - Inner Wing	1-28
60 ft - 18m - Outer Wing	1-30
70 ft - 21m - Inner Wing	1-32
70 ft - 21m - Outer Wing	1-34
80 ft - 24m - Inner Wing	1-36
80 ft - 24m - Outer Wing	1-38
80 ft - 24m - Flip Wing	1-40
80 ft - 24m - 4th Row	1-42
Wing Lift	1-44
40 ft and 50 ft - 12m and 15m	1-44
60 ft and 70 ft - 18m and 21m - Prior to 2022	1-46
60 ft and 70 ft - 18m and 21m - 2022 to Present	1-48
80 ft - 24m	1-50
Lighting and Marking	1-52
40 ft to 70 ft - 12m to 21m on 9 Series Cart	1-52
40 ft to 70 ft - 12m to 21m on 10 Series Cart	1-53
80 ft - 24m on 9 Series Cart	1-54
80 ft - 24m on 10 Series Cart	1-55
Section 2:	
Wheels	2-1
Wheel Assembly	2-2
80 ft Wheel Assembly - Main Frame	2-3
Hub and Spindle Assembly - S64970	2-4
Hub and Spindle Assembly - S72080	2-5
Hub and Spindle Assembly - N70874	2-6
Section 3:	
Opener	3-1
Opener Assembly	3-2
Steel - Prior to 2022	3-2
Cast - 2022 to Present	3-4
Body Assembly	3-6
Steel - Prior to 2022	3-6
Cast - 2022 to Present	3-8
Packer Arm Assembly	3-10
Steel - Prior to 2022	3-10
Cast - 2022 to Present	3-11

Table of Contents

Pack Control - Prior to 2022	3-12
Pack Control - 2022 to Present	3-13
Packer Wheel Assemblies	3-14
Seed Boot	3-15
Injected Polymer Pair Row Kit	3-15
Injected Polymer Left Sideband Kit	3-16
Injected Polymer Right Side Band Kit	3-17
Single Shoot	3-18
Single Shoot 3" Spreader	3-19
Double Shoot - Paired Row	3-20
Double Shoot - High Pressure NH3 Kit	3-21
Double Shoot - Side Band - Left	3-22
Double Shoot - Side Band Boot - Right	3-23

Section 4:

Hydraulics	4-1
Wing Lift Hydraulics	4-2
40 ft - 12m	4-2
50 ft - 15m	4-4
60 ft and 70 ft - 18m and 21m	4-6
80 ft - 24m	4-8
Wing Valve - 80 ft - 24m	4-10
Tow Behind Cross Tillage Kit	4-12
9 Series Cart	4-12
10 Series Cart - One Fan	4-14
10 Series Cart - Two Fans	4-16
3 Rank Opener Hydraulics	4-18
10 inch Spacing - 40 ft to 70 ft	4-18
250 mm Spacing - 12 m to 21 m	4-20
12 inch Spacing - 40 ft to 70 ft	4-22
300 mm Spacing - 12 m to 21 m	4-24
15 inch (380 mm) Spacing - 40 ft to 70 ft	4-26
Four Rank Hydraulic Option - 10 inch Spacing	4-28
- 40 ft Model	4-28
- 50 ft Model	4-30
- 60 ft Model	4-32
- 70 ft Model	4-34
- 80 ft Model	4-36
Four Rank Hydraulic Option - 12 inch Spacing	4-38
- 40 ft Model	4-38
- 50 ft Model	4-40
- 60 ft Model	4-42
- 70 ft Model	4-44
- 80 ft Model	4-46
Accumulator Hydraulic Option	4-48
Option 1 - Single Large Accumulator	4-48
Option 2 - Multiple Small Accumulators	4-50
Cylinder Seal Kits	4-52
Pressure Control	4-53
JEM - Pressure Control System	4-53
9 Series Apollo - Lift and Pressure Control Kit - Prior to 2022	4-54
9 Series Apollo - Lift and Pressure Control Kit - 2022 to Present	4-56
10 Series Apollo - Lift and Pressure Control Kit	4-58
Wing Lift Valve Block	4-60

Table of Contents

Opener Valve Block.....	4-61
2018-2019	4-61
2020 to present.....	4-62
Section 5:	
Distribution	5-1
Quick Coupler - 2 1/2 Inch	5-4
3 Outlet	5-4
5 Outlet	5-5
Quick Coupler - 3 Inch	5-6
2x2 Outlet	5-6
2x3 Outlet	5-7
Divider Head Assembly.....	5-8
Regular 1 inch Square Fingers	5-8
Mounting Stands.....	5-10
Offset Dual Shoot Stands - 2023 to Present	5-12
Single Shoot - Tow Behind.....	5-14
40 ft - 12m - 5 primaries - 12 and 15 inch (300 - 380mm) Spacing.....	5-14
40 ft - 12m - 6 primaries - 10 inch (250mm) Spacing	5-16
50 ft - 15m - 6 primaries - 15 inch (380mm) Spacing.....	5-18
50 ft - 15m - 7 primaries - 10 and 12 inch (250 - 300mm) Spacing.....	5-20
60 ft - 18m - 8 primaries - 10, 12 and 15 inch (250 - 300 - 380mm) Spacing.....	5-22
70 ft - 21m - 8 primaries - 10, 12 and 15 inch (250 - 300 - 380mm) Spacing.....	5-24
70 ft - 21m - 9 primaries - 10, 12 and 15 inch (250 - 300 - 380mm) Spacing.....	5-26
80 ft - 24m - 10 primaries - 10 and 12 inch (250 - 300) Spacing.....	5-28
Single Shoot - Tow Between.....	5-30
40 ft - 12m - 5 primaries - 12 and 15 inch (300 - 380mm) Spacing.....	5-30
40 ft - 12m - 6 primaries - 10 inch (250mm) Spacing	5-32
50 ft - 15m - 6 primaries - 15 inch (380mm) Spacing.....	5-34
50 ft - 15m - 7 primaries - 10 and 12 inch (250 - 300mm) Spacing.....	5-36
60 ft - 18m - 8 primaries - 10, 12 and 15 inch (250 - 300 - 380mm) Spacing.....	5-38
70 ft - 21m - 8 primaries - 10, 12 and 15 inch (250 - 300 - 380mm) Spacing.....	5-40
70 ft - 21m - 9 primaries - 10, 12 and 15 inch (250 - 300 - 380mm) Spacing.....	5-42
80 ft - 24m - 10 primaries - 10 and 12 inch (250 - 300) Spacing.....	5-44
Dual Shoot - Stacked Heads - Tow Behind - Prior to 2023	5-46
40 ft - 12m - 5 primaries - 12 and 15 inch (300 - 380mm) Spacing.....	5-46
40 ft - 12m - 6 primaries - 10 inch (250mm) Spacing	5-48
50 ft - 15m - 6 primaries - 15 inch (380mm) Spacing.....	5-50
50 ft - 15m - 7 primaries - 10 and 12 inch (250 - 300mm) Spacing.....	5-52
60 ft - 18m - 8 primaries - 10, 12 and 15 inch (250 - 300 - 380mm) Spacing.....	5-54
70 ft - 21m - 9 primaries - 10, 12 and 15 inch (250 - 300 - 380mm) Spacing.....	5-56
Dual Shoot - Stacked Heads - Tow Between - Prior to 2023	5-58
40 ft - 12m - 5 primaries - 12 and 15 inch (300 - 380mm) Spacing.....	5-58
40 ft - 12m - 6 primaries - 10 inch (250mm) Spacing	5-60
50 ft - 15m - 6 primaries - 15 inch (380mm) Spacing.....	5-62
50 ft - 15m - 7 primaries - 10 and 12 inch (250 - 300mm) Spacing.....	5-64
60 ft - 18m - 8 primaries - 10, 12 and 15 inch (250 - 300 - 380mm) Spacing.....	5-66
70 ft - 21m - 9 primaries - 10, 12 and 15 inch (250 - 300 - 380mm) Spacing.....	5-68
Dual Shoot - Offset Heads - Tow Behind - 2023 to Present.....	5-70
40 ft - 12m - 5 primaries - 12 and 15 inch (300 - 380mm) Spacing.....	5-70
40 ft - 12m - 6 primaries - 10 inch (250mm) Spacing.....	5-72
50 ft - 15m - 6 primaries - 15 inch (380mm) Spacing.....	5-74
50 ft - 15m - 7 primaries - 10 and 12 inch (250 - 300mm) Spacing.....	5-76
60 ft - 18m - 8 primaries - 10, 12 and 15 inch (250 - 300 - 380mm) Spacing.....	5-78
70 ft - 21m - 8 primaries - 10, 12 and 15 inch (250 - 300 - 380mm) Spacing.....	5-80

Table of Contents

70 ft - 21m - 9 primaries - 10, 12 and 15 inch (250 - 300 - 380mm) Spacing.....	5-82
80 ft - 24m - 10 primaries - 10 and 12 inch (250 - 300) Spacing	5-84
80 ft - 24m - 10 primaries - 10 and 12 inch (250 - 300) Spacing	5-86
80 ft - 24m - 10 primaries - 10 and 12 inch (250 - 300) Spacing	5-88
Dual Shoot - Offset Heads - Tow Between - 2023 to Present	5-90
40 ft - 12m - 5 primaries - 12 and 15 inch (300 - 380mm) Spacing	5-90
40 ft - 12m - 6 primaries - 10 inch (250mm) Spacing	5-92
50 ft - 15m - 6 primaries - 15 inch (380mm) Spacing	5-94
50 ft - 15m - 7 primaries - 10 and 12 inch (250 - 300mm) Spacing	5-96
60 ft - 18m - 8 primaries - 10, 12 and 15 inch (250 - 300 - 380mm) Spacing	5-98
70 ft - 21m - 8 primaries - 10, 12 and 15 inch (250 - 300 - 380mm) Spacing.....	5-100
70 ft - 21m - 9 primaries - 10, 12 and 15 inch (250 - 300 - 380mm) Spacing.....	5-102
80 ft - 24m - 10 primaries - 10 and 12 inch (250 - 300) Spacing	5-104
80 ft - 24m - 10 primaries - 10 and 12 inch (250 - 300) Spacing	5-106
80 ft - 24m - 10 primaries - 10 and 12 inch (250 - 300) Spacing	5-108
Broadcast Kit.....	5-110
10 and 12 inch (250 - 300mm) Spacing	5-110

Section 6:

Options.....	6-1
Rear Tow Hitch	6-2
Remote Clutch Switch	6-3
4th Row Kit.....	6-4
40 ft - 12m	6-4
50 ft - 15m	6-6
60 ft - 18m	6-8
70 ft - 21m.....	6-10
Weight Kit.....	6-12

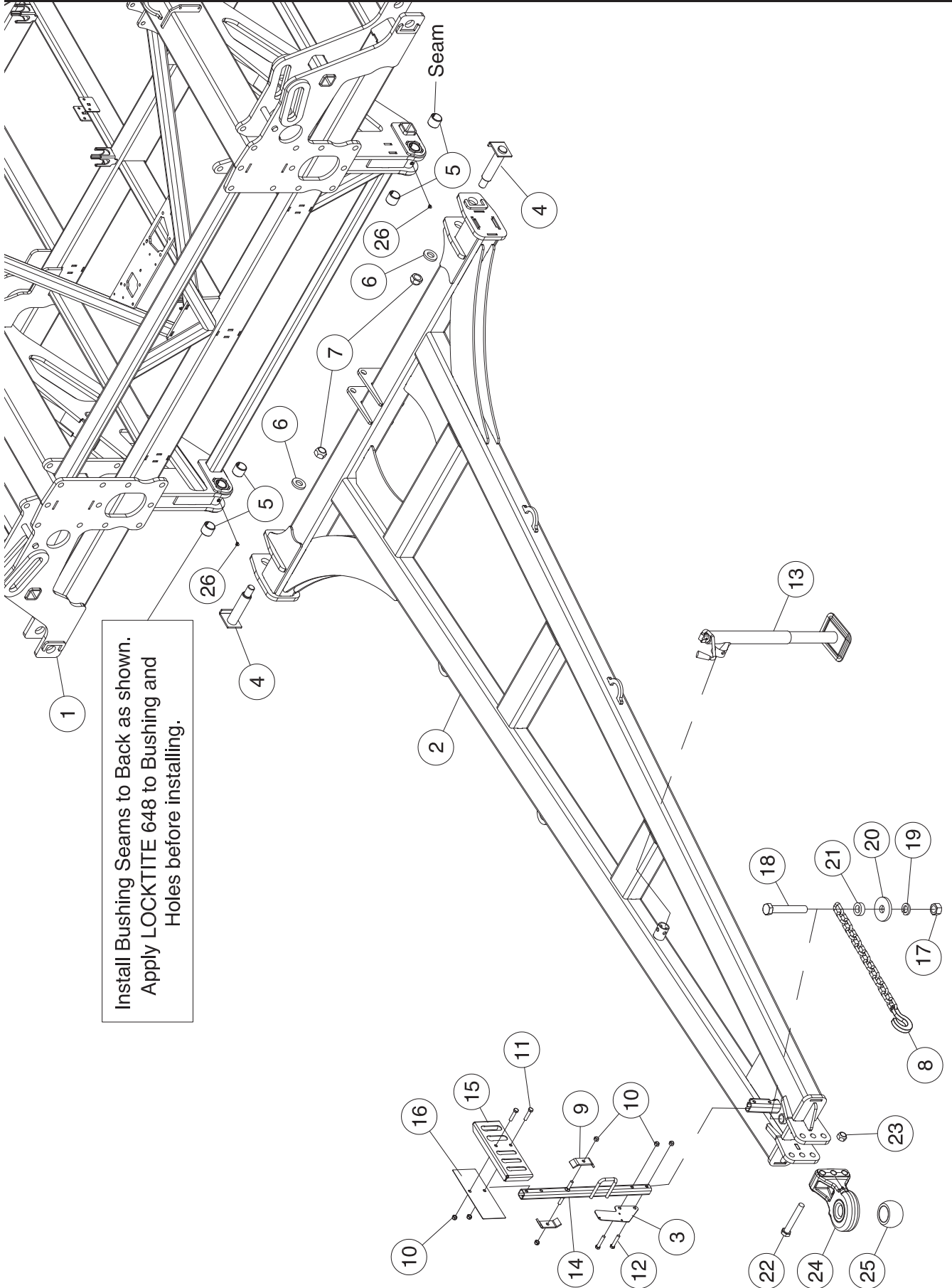
Index	i
--------------------	----------

Section 1: Frames

Section Contents

Hitch	1-2
40 ft to 70 ft - 12m to 21m	1-2
80 ft - 24m	1-4
Frame - Main.....	1-6
40 ft to 70 ft - 12m to 21m Carriage - Main.....	1-6
80 ft - 24m Carriage - Main - Prior to 2024.....	1-8
80 ft - 24m Carriage - Main - 2024 to Present	1-10
40 ft and 50 ft - 12m and 15m	1-12
60 ft - 18m	1-14
70 ft - 21m	1-16
80 ft - 24m	1-18
Frame - Wing	1-20
40 ft - 12m	1-20
50 ft - 15m - Version 1	1-22
50 ft - 15m - Version 2	1-24
50 ft - 15m - Flip Wing	1-26
60 ft - 18m - Inner Wing.....	1-28
60 ft - 18m - Outer Wing.....	1-30
70 ft - 21m - Inner Wing.....	1-32
70 ft - 21m - Outer Wing.....	1-34
80 ft - 24m - Inner Wing.....	1-36
80 ft - 24m - Outer Wing.....	1-38
80 ft - 24m - Flip Wing	1-40
80 ft - 24m - 4th Row.....	1-42
Wing Lift.....	1-44
40 ft and 50 ft - 12m and 15m	1-44
60 ft and 70 ft - 18m and 21m - Prior to 2022.....	1-46
60 ft and 70 ft - 18m and 21m - 2022 to Present	1-48
80 ft - 24m	1-50
Lighting and Marking	1-52
40 ft to 70 ft - 12m to 21m on 9 Series Cart.....	1-52
40 ft to 70 ft - 12m to 21m on 10 Series Cart.....	1-53
80 ft - 24m on 9 Series Cart	1-54
80 ft - 24m on 10 Series Cart	1-55

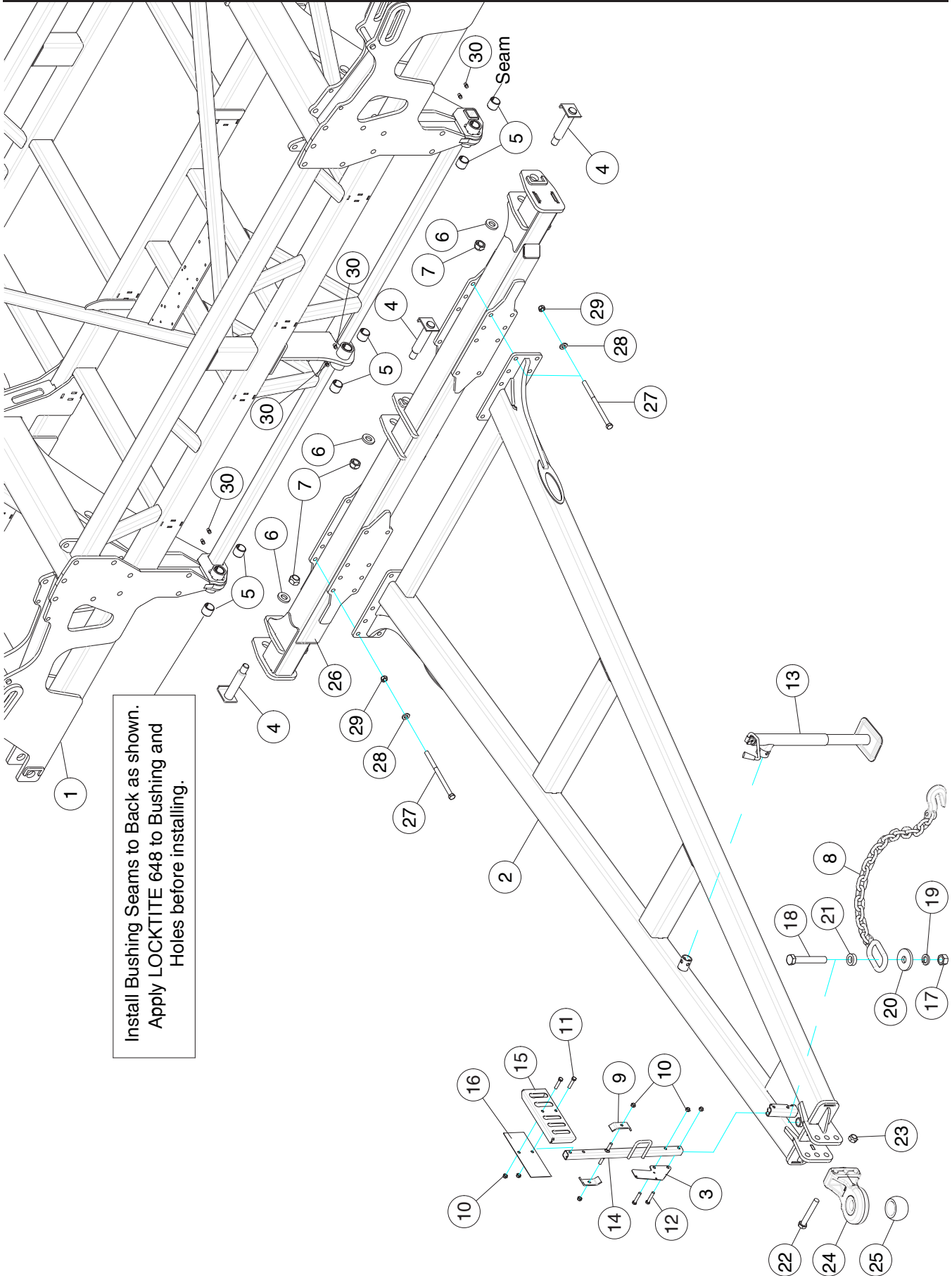
Hitch 40 ft to 70 ft - 12m to 21m



Hitch - 40 ft to 70 ft - 12m to 21m

Item	Part No.	Description	Qty
1	S64240	Main Frame (Includes Item 5)	1
2	S64273	Hitch.....	1
3	N58671	Plate - Case Drain Header Mount (Tow Behind Air Cart only).....	1
4	S64360	Pin - 1 3/4 x 6 11/16 Lg	2
5	S64325	Spring Bushing - 1.75 ID x 2.00 OD x 1.75 Lg.....	4
6	S26462	Washer - 1 1/4 ID x 2 1/2 OD x 3/8 Thick.....	2
7	S39780	Lock Nut - 1 1/4 Unitorque	2
8	N44710	Safety Chain - 80,000 Lb	1
9	C26321	Hose Holder Clamp.....	2
10	F-3405	Locknut - 1/2 Unitorque.....	6
11	W-490	Hex Bolt - 1/2 x 2 1/2 Lg.....	2
12	W-491	Hex Bolt - 1/2 x 2 3/4 Lg.....	2
13	S39391	Top Wind Jack - 2000 Lb	1
14	S39665	Hose Holder Stand.....	1
15	S62722	Hydraulic Hose Holder Plate - 5 Slot - Dual Fan	1
16	S62723	Back Plate - 5 Slot - Dual Fan	1
17	P61D20	Hex Nut - 1 1/4.....	1
18	S44715	Hex Bolt - 1 1/4 x 8 Lg.....	1
19	C39432	Lockwasher - 1 1/4.....	1
20	S44716	Retaining Washer - 1 5/16 ID x 4 1/4 OD x 1/2 Thick.....	1
21	S44717	Chain Link Spacer - 1 5/16 ID x 2 1/4 OD x 3/4 Thick - Required for 80,000 lb Chain.....	1
22	S42952	Hex Bolt - 1 x 6 5/8 Lg.....	3
23	D-5274	Lock Nut - 1 Unitorque	3
24	S64300	Clevis - CAT 5 (2 Diameter Draw Pin) (Includes item 25).....	1
24A	S64310	Clevis - CAT 5 (2 3/4 Diameter Draw Pin) (Includes item 25A)	
24B	S66236	Clevis - CAT 4 (1 1/2 Pin Diameter Draw Pin) (Includes item 25B) Tow Between Cart	
24C	K62145	Clevis - CAT 4 (2 Pin Diameter Draw Pin) (Includes item 25C) Tow Between Cart	
25	S65738	Clevis Insert - CAT 5 - (2 Diameter Draw Pin)	
25A	S65742	Clevis Insert - CAT 5 - (2 3/4 Diameter Draw Pin)	
25B	S65740	Clevis Insert - CAT 4 - (1 1/2 Diameter Draw Pin)	
25C	S67388	Clevis Insert - CAT 4 - (2 Diameter Draw Pin)	
26	F-3056	Grease Fitting - 90 Degree.....	2
	S66442	Decal - MORRIS (Not Shown)	2
	C25810	Decal - Grease 100 Hours (Not Shown).....	2
		 Used to attach to a Tow Between Cart as follows: S66236 Clevis CAT 4 - 1 1/2 Pin Diameter Draw Pin - 9365, 9450 Tow Between Carts - 9445, 9550 and 9650 Tow Between Carts - Prior to 2016 - 9240s, 9252s and 9300s Tow Between Carts K62145 Clevis CAT 4 - 2 Diameter Draw Pin - 9445, 9550 and 9650 Tow Between Carts - 2016 to Present - 9800 and 91000 Tow Between Carts	

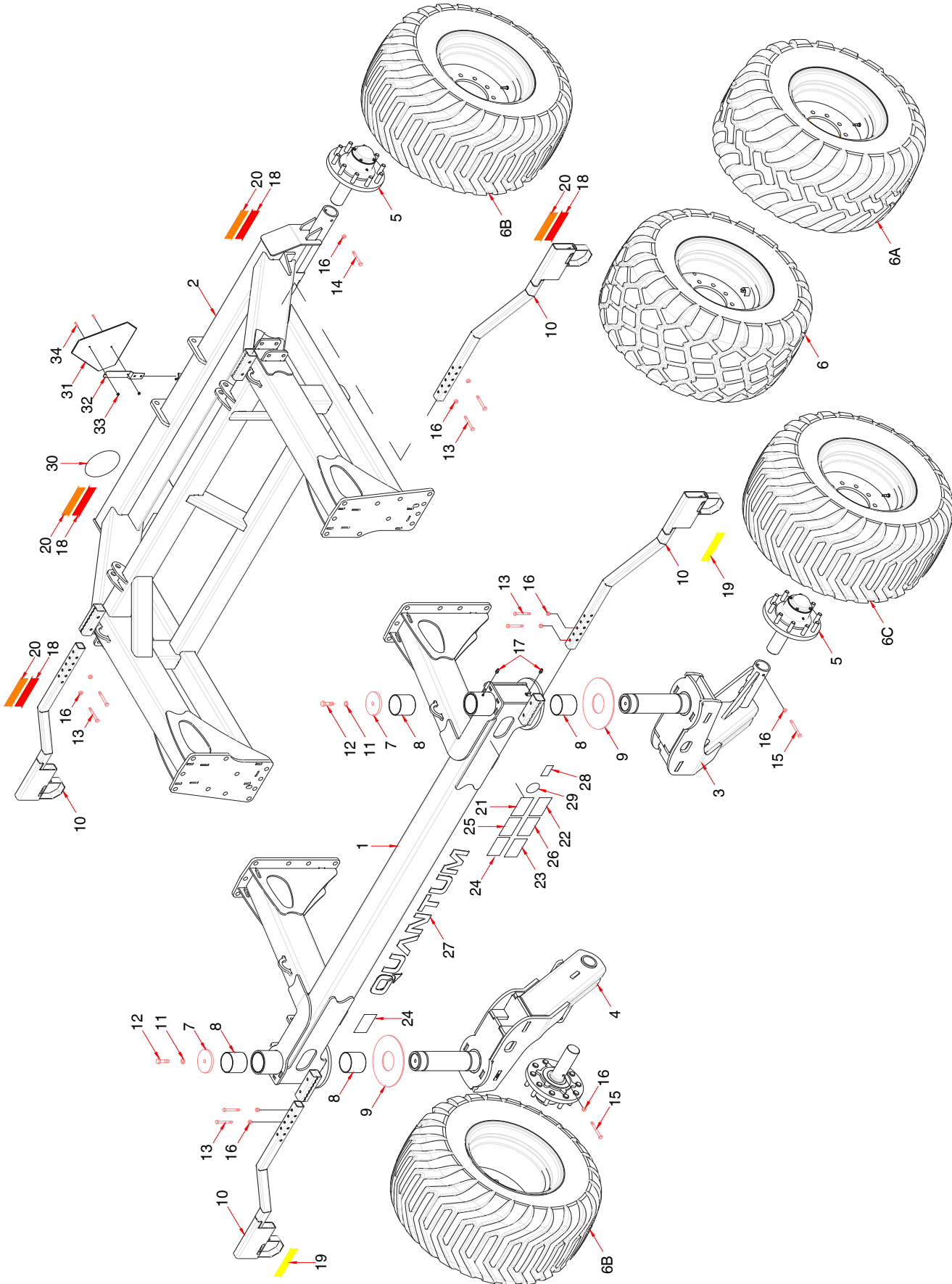
Hitch 80 ft - 24m



Hitch - 80 ft - 24m

Item	Part No.	Description	Qty
1	S72600	Main Frame (Includes Item 5 and 30)	1
2	S72630	Hitch.....	1
3	N58671	Plate - Case Drain Header Mount (Tow Behind Air Cart only).....	1
4	S64360	Pin - 1 3/4 x 6 11/16 Lg	3
5	S64325	Spring Bushing - 1.75 ID x 2.00 OD x 1.75 Lg.....	6
6	S26462	Washer - 1 1/4 ID x 2 1/2 OD x 3/8 Thick.....	3
7	S39780	Lock Nut - 1 1/4 Unitorque	3
8	N44710	Safety Chain - 80,000 Lb	1
9	C26321	Hose Holder Clamp.....	2
10	F-3405	Locknut - 1/2 Unitorque.....	6
11	W-490	Hex Bolt - 1/2 x 2 1/2 Lg.....	2
12	W-491	Hex Bolt - 1/2 x 2 3/4 Lg.....	2
13	S39391	Top Wind Jack - 2000 Lb.	1
14	S39665	Hose Holder Stand.....	1
15	S62722	Hydraulic Hose Holder Plate - 5 Slot - Dual Fan	1
16	S62723	Back Plate - 5 Slot - Dual Fan	1
17	P61D20	Hex Nut - 1 1/4.....	1
18	S44715	Hex Bolt - 1 1/4 x 8 Lg.....	1
19	C39432	Lockwasher - 1 1/4.....	1
20	S44716	Retaining Washer - 1 5/16 ID x 4 1/4 OD x 1/2 Thick.....	1
21	S44717	Chain Link Spacer - 1 5/16 ID x 2 1/4 OD x 3/4 Thick - Required for 80,000 lb Chain.....	1
22	S42952	Hex Bolt - 1 x 6 5/8 Lg.....	3
23	D-5274	Lock Nut - 1 Unitorque	3
24	S64300	Clevis - CAT 5 (2 Diameter Draw Pin) (Includes item 25).....	1
24A	S64310	Clevis - CAT 5 (2 3/4 Diameter Draw Pin) (Includes item 25A)	
24B	S66236	Clevis - CAT 4 (1 1/2 Pin Diameter Draw Pin) (Includes item 25B) Tow Between Cart	
24C	K62145	Clevis - CAT 4 (2 Pin Diameter Draw Pin) (Includes item 25C) Tow Between Cart	
25	S65738	Clevis Insert - CAT 5 - (2 Diameter Draw Pin)	
25A	S65742	Clevis Insert - CAT 5 - (2 3/4 Diameter Draw Pin)	
25B	S65740	Clevis Insert - CAT 4 - (1 1/2 Diameter Draw Pin)	
25C	S67388	Clevis Insert - CAT 4 - (2 Diameter Draw Pin)	
26	S72636	Hitch Beam	1
27	S73139	Hex Bolt - 3/4 x 12 Lg.....	16
28	W-476	Flat Washer - 3/4.....	16
29	D-5273	Lock Nut - 3/4 Unitorque	16
30	S-752	Grease Nipple	6
	S66442	Decal - MORRIS (Not Shown)	2
	C25810	Decal - Grease 100 Hours (Not Shown).....	4
		Used to attach to a Tow Between Cart as follows:	
		S66236 Clevis CAT 4 - 1 1/2 Pin Diameter Draw Pin	
		- 9365, 9450 Tow Between Carts	
		- 9445, 9550 and 9650 Tow Between Carts - Prior to 2016	
		- 9240s, 9252s and 9300s Tow Between Carts	
		K62145 Clevis CAT 4 - 2 Diameter Draw Pin	
		- 9445, 9550 and 9650 Tow Between Carts - 2016 to Present	
		- 9800 and 91000 Tow Between Carts	

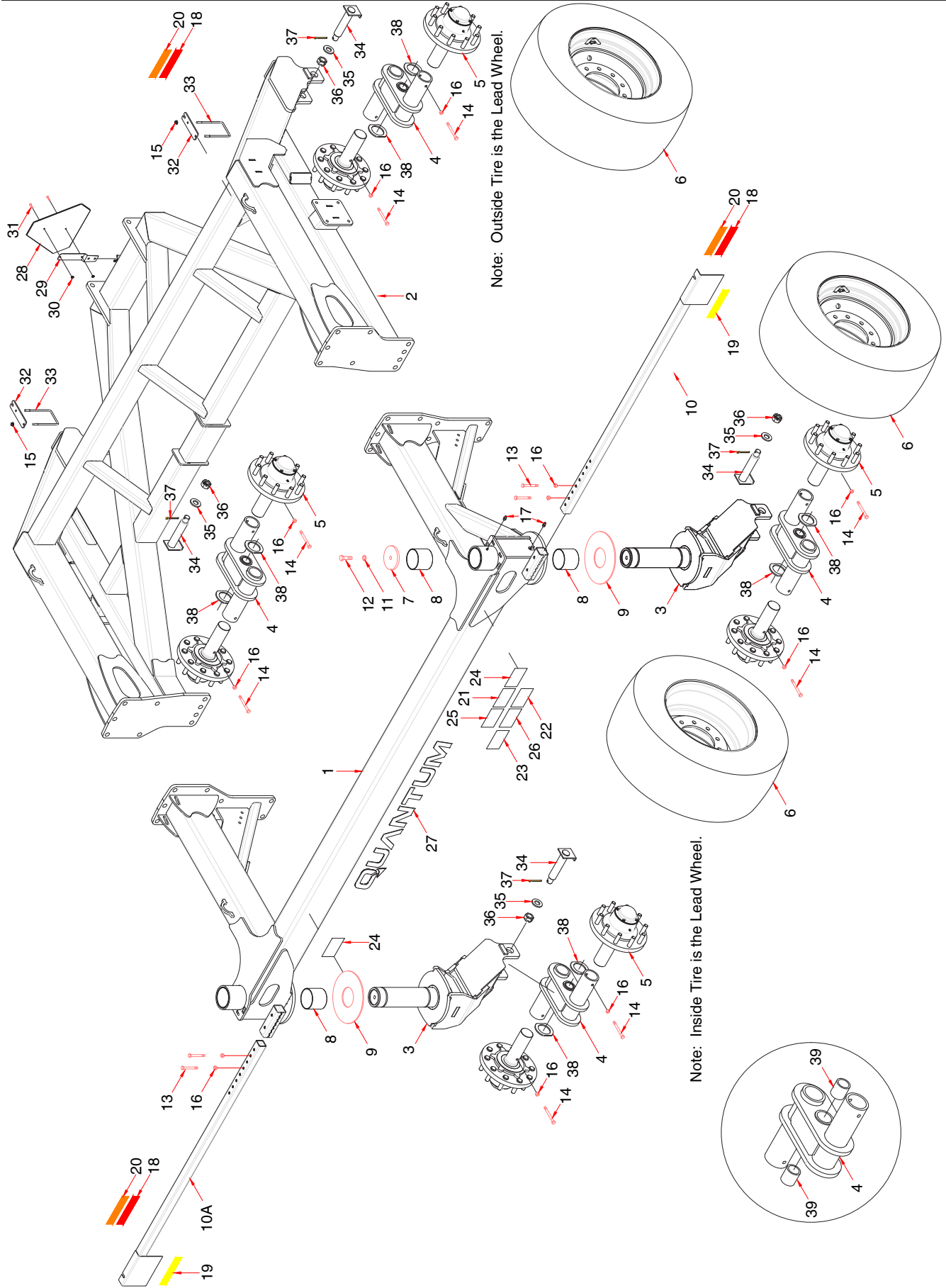
Frame - Main 40 ft to 70 ft - 12m to 21m Carriage - Main



Frame - Main - Carriage Main - 40 ft to 70 ft - 12m to 21m

Item	Part No.	Description	Qty
1	S64200	Front Carriage (Includes items 8 and 17)	1
2	S64225	Rear Carriage.....	1
3	S66294	Castor - Main - Left	1
4	S66296	Castor - Main - Right.....	1
5	S72080	Hub and Spindle Assembly	4
	S64970	Hub and Spindle Assembly - Prior to the following Serial Numbers: 40ft - QT40210486, 50ft - QT50210561, 60ft - QT60210745, 70ft - QT70210794	
6	S68660	Tire and Rim Assembly - By-Directional (40 ft to 60 ft 2021 to present)	
6A	S64960	Tire and Rim Assembly - By-Directional (70 ft model only 2021 - 2022)	4
6B	K65090	Tire Rim Assembly - Left (Shown above) . . use on right side of machine (2018-2020) ..	2
6C	K65091	Tire Rim Assembly - Right (Not Shown) . . . use on left side of machine (2018-2020)	2
7	S64955	Cap - Castor Main - 6 Diameter	2
8	S64948	Bushing - 4 1/2 ID x 4 3/4 OD x 4 Lg	4
9	S64950	Wear Disc - 4 9/16 ID x 12 OD x 1/4 Thick.....	2
10	S64900	Tube - Mounting - Lighting.....	4
11	W-527	Lockwasher - 3/4.....	2
12	C-695	Bolt - 3/4 x 2 Lg.....	2
13	D-5519	Hex Bolt - 1/2 x 3 1/4.....	8
14	S-951	Bolt - 1/2 x 4 1/2 Lg.....	2
15	W-496	Bolt - 1/2 x 5 1/2 Lg.....	2
16	F-3405	Locknut - 1/2 Unitorque.....	12
17	S-752	Grease Nipple	4
18	N34476	Reflector - Red	2
19	N34477	Reflector - Amber	2
20	N34478	Reflector - Orange.....	2
21	S65150	Decal - Caution: Avoid injury	1
22	S65151	Decal - Warning: Before Servicing	1
23	S65152	Decal - Warning: HIGH-PRESSURE FLUID HAZARD	1
24	S65153	Decal - Danger: Crushing Hazard.....	2
25	S65154	Decal - Warning: No Riders.....	1
26	S65155	Decal - Warning: Crushing Hazard.....	1
27	S66246	Decal - QUANTUM.....	1
28	N74340	Decal - Warning - Loss of Control	1
29	N74900	Decal - Speed ID 30 km/h - 70mm Diameter	1
	N74903	Decal - Speed ID 20 mph - 70mm Diameter (USA only)	
30	N74299	Decal - Speed ID 30 km/h - 200mm Diameter	1
	N74902	Decal - Speed ID 20 mph - 200mm Diameter (USA only)	
31	N34475	SMV Sign.....	1
32	N34643	Spade Mount Bracket.....	1
33	N22778	Locknut - 1/4 Nylon Insert.....	2
34	K-3830	Hex Bolt - 1/4 x 1/2 Lg.....	2
	C25809	Decal - Grease 50 Hours (Not Shown)	2
	S55498	Decal - Patent (Not Shown).....	1
	S67899	Decat - Patent (Not Shown)	1
	11547	Decal - Patent Pending (Not Shown).....	1

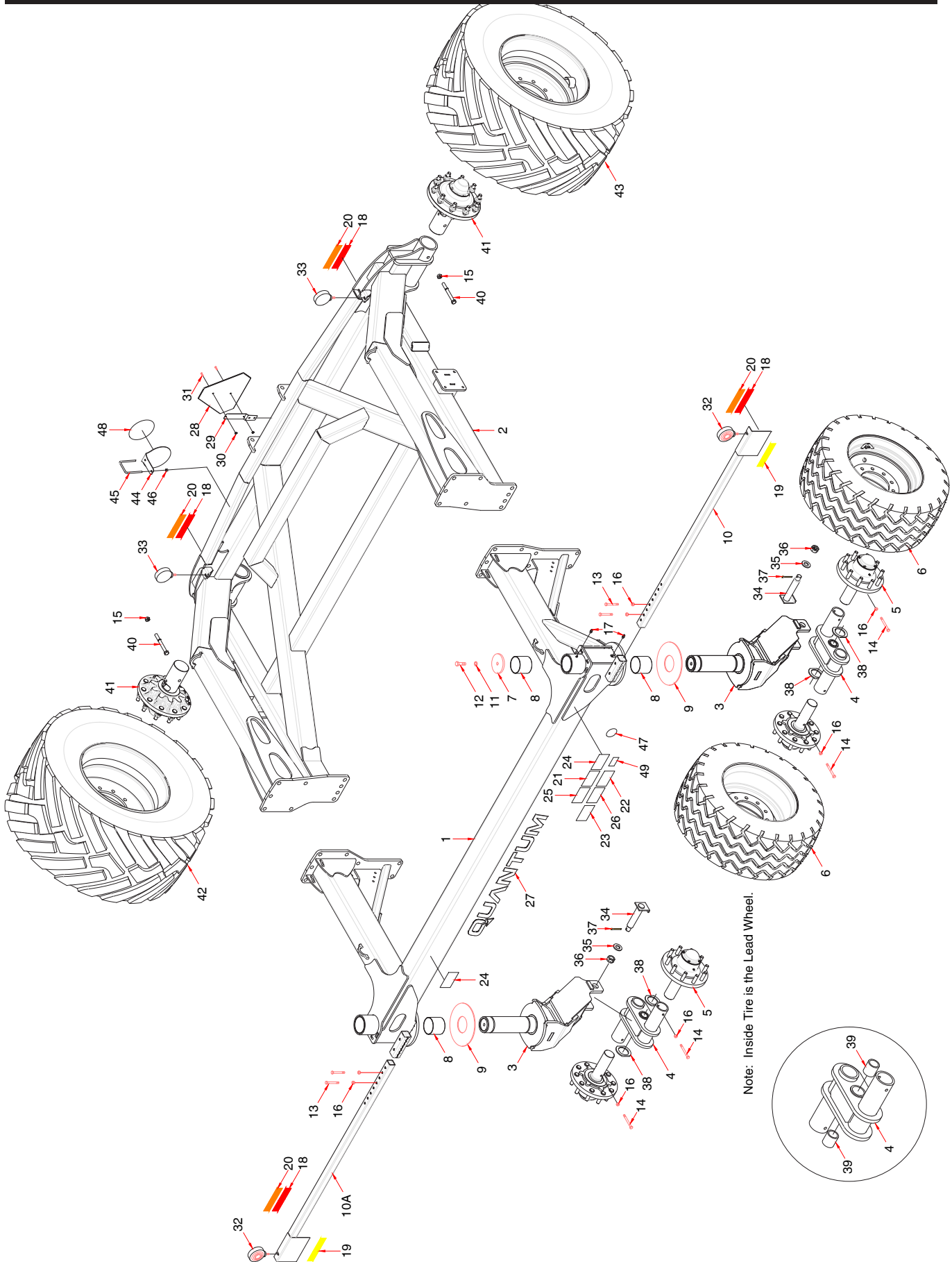
Frame - Main 80 ft - 24m Carriage - Main - Prior to 2024



Frame - Main - Carriage Main - 80 ft - 24m - Prior to 2024

Item	Part No.	Description	Qty
1	S72860	Front Carriage (Includes items 8 and 17)	1
2	S72875	Rear Carriage.....	1
3	S72490	Castor Fork.....	2
4	S72499	Walking Beam - Offset (Includes 2 of Bushing S55639 item 39)	4
5	S72080	Axle and Spindle Assembly.....	8
6	S72825	Tire and Rim Assembly - Alliance 381 - 445/50R22.5 VF	8
7	S64955	Cap - Castor Main - 6 Diameter	2
8	S64948	Bushing - 4 1/2 ID x 4 3/4 OD x 4 Lg	4
9	S64950	Wear Disc - 4 9/16 ID x 12 OD x 1/4 Thick.....	2
10	S72700	Light Bracket - Left	1
10A	S73110	Light Bracket - Right.....	1
11	W-527	Lockwasher - 3/4.....	2
12	C-695	Bolt - 3/4 x 2 Lg.....	2
13	D-5519	Hex Bolt - 1/2 x 3 1/4.....	4
14	S-951	Bolt - 1/2 x 4 1/2 Lg.....	8
15	D-5279	Locknut - 3/8 Flange	4
16	F-3405	Locknut - 1/2 Uitorque.....	12
17	S-752	Grease Nipple	4
18	N34476	Reflector - Red	2
19	N34477	Reflector - Amber	2
20	N34478	Reflector - Orange.....	2
21	S65150	Decal - Caution: Avoid injury	1
22	S65151	Decal - Warning: Before Servicing	1
23	S65152	Decal - Warning: High Pressure Fluid Hazard.....	1
24	S65153	Decal - Danger: Crushing Hazard.....	2
25	S65154	Decal - Warning: No Riders.....	1
26	S65155	Decal - Warning: Crushing Hazard.....	1
27	S66246	Decal - QUANTUM.....	1
28	N34475	SMV Sign.....	1
29	N34643	Spade Mount Bracket.....	1
30	N22778	Locknut - 1/4 Nylon Insert.....	2
31	K-3830	Hex Bolt - 1/4 x 1/2 Lg.....	2
32	S34465	Bracket - Light.....	2
33	N19723	U-Bolt - 3/8 x 4 x 7 UL.....	2
34	S72497	Pin - 1 3/4 OD x 7 1/2 UL.....	4
35	N13962	Washer - 1 9/32 ID x 2 1/2 OD x 1/4 thick.....	4
36	N19484	Castle Nut - 1 1/4 - 12 UNF.....	4
37	D-5239	Cotter Pin - 1/4 x 2 1/4 Lg	4
38	S55629	Wear Washer.....	8
39	S55639	Bushing - 1.75 ID x 2.25 OD x 2.375Lg.....	8
	C25809	Decal - Grease 50 Hours (Not Shown)	2
	S55498	Decal - Patent (Not Shown).....	1
	S67899	Decat - Patent (Not Shown)	1
	11547	Decal - Patent Pending (Not Shown).....	1

Frame - Main 80 ft - 24m Carriage - Main - 2024 to Present

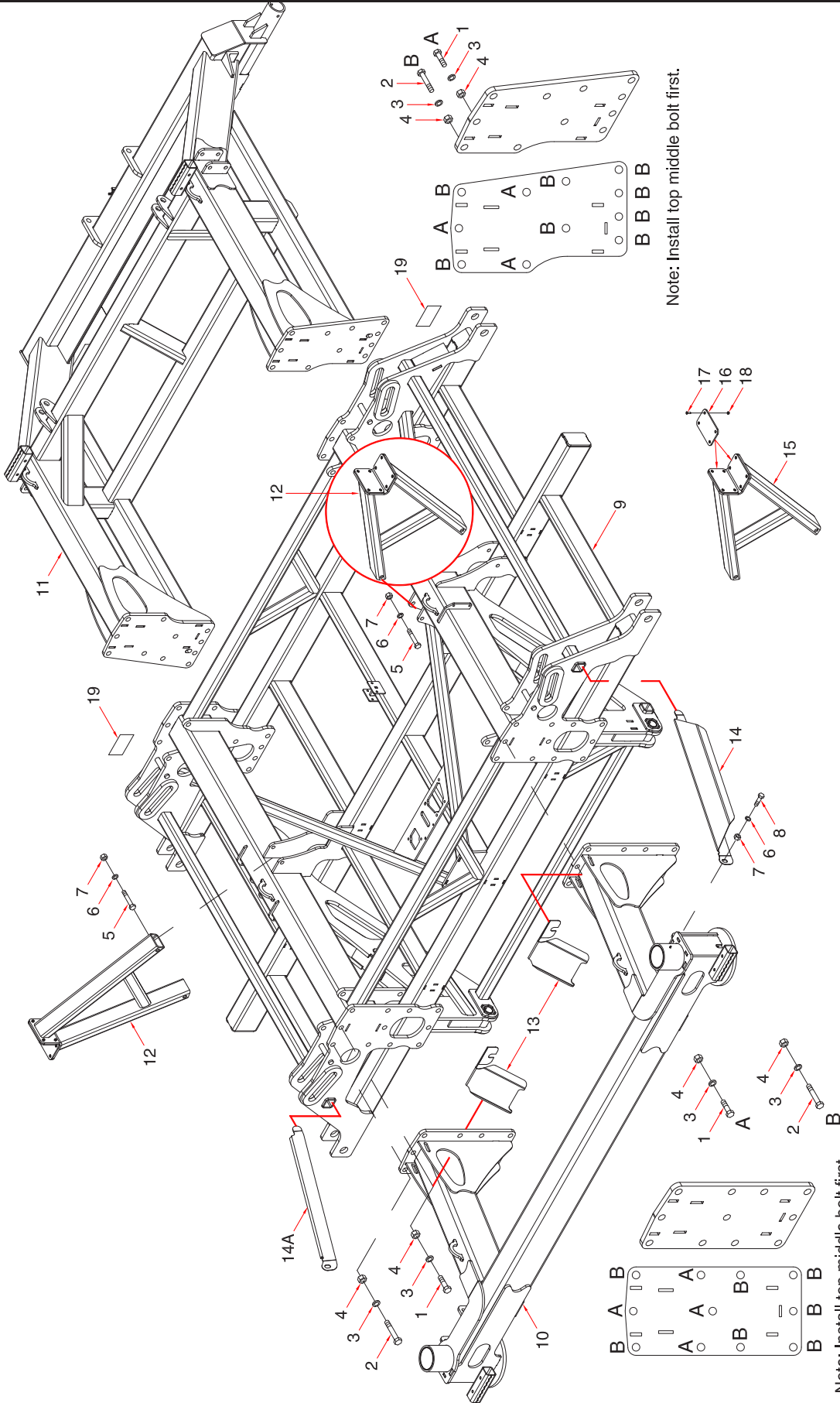


Note: Inside Tire is the Lead Wheel.

Frame - Main - Carriage Main - 80 ft - 24m - 2024 to Present

Item	Part No.	Description	Qty
1	S72860	Front Carriage (Includes items 8 and 17)	1
2	S73330	Rear Carriage.....	1
3	S72490	Castor Fork.....	2
4	S72499	Walking Beam - Offset (Includes 2 of Bushing S55639 item 39)	2
5	S72080	Axle and Spindle Assembly - 3 Spindle	4
6	S72825	Tire and Rim Assembly - Alliance 381 - 445/50R22.5 VF	4
7	S64955	Cap - Castor Main - 6 Diameter	2
8	S64948	Bushing - 4 1/2 ID x 4 3/4 OD x 4 Lg	4
9	S64950	Wear Disc - 4 9/16 ID x 12 OD x 1/4 Thick	2
10	S72700	Light Bracket - Left	1
10A	S73110	Light Bracket - Right.....	1
11	W-527	Lockwasher - 3/4.....	2
12	C-695	Hex Bolt - 3/4 x 2 Lg.....	2
13	D-5519	Hex Bolt - 1/2 x 3 1/4 Lg.....	4
14	S-951	Hex Bolt - 1/2 x 4 1/2 Lg.....	4
15	D-5273	Locknut - 3/4 Unitorque.....	2
16	F-3405	Locknut - 1/2 Unitorque.....	12
17	S-752	Grease Nipple	4
18	N34476	Reflector - Red	2
19	N34477	Reflector - Amber	2
20	N34478	Reflector - Orange.....	2
21	S65150	Decal - Caution: Avoid injury	1
22	S65151	Decal - Warning: Before Servicing	1
23	S65152	Decal - Warning: High Pressure Fluid Hazard.....	1
24	S65153	Decal - Danger: Crushing Hazard.....	2
25	S65154	Decal - Warning: No Riders.....	1
26	S65155	Decal - Warning: Crushing Hazard.....	1
27	S66246	Decal - QUANTUM.....	1
28	N34475	SMV Sign.....	1
29	N34643	Spade Mount Bracket.....	1
30	N22778	Locknut - 1/4 Nylon Insert.....	2
31	K-3830	Hex Bolt - 1/4 x 1/2 Lg.....	2
32	N50365	Light LED - Amber.....	2
33	N50366	Light LED - Red	2
34	S72497	Pin - 1 3/4 OD x 7 1/2 UL.....	2
35	N13962	Washer - 1 9/32 ID x 2 1/2 OD x 1/4 thick.....	2
36	N19484	Castle Nut - 1 1/4 - 12 UNF.....	2
37	D-5239	Cotter Pin - 1/4 x 2 1/4 Lg	2
38	S55629	Wear Washer.....	4
39	S55639	Bushing - 1.75 ID x 2.25 OD x 2.375Lg.....	4
40	S32590	Bolt - 3/4 x 7 Lg Gr 8.....	2
41	N70874	Axle and Spindle Assembly - 4 1/2 Spindle	2
42	S73369	Tire and Rim Assembly - Alliance 885 - 650/55R26.5 - Right	1
43	S73371	Tire and Rim Assembly - Alliance 885 - 650/55R26.5 - Left	1
44	S74901	Bracket - Speed Identification	1
45	D-4932	U-Bolt - 3/8 x 4 1/8 x 3 UL.....	1
46	S27987	Locknut - 3/8 Flanged Center Lock.....	2
47	N74900	Decal - Speed ID 30 km/h - 70mm Diameter	1
	N74903	Decal - Speed ID 20 mph - 70mm Diameter (USA only)	
48	N74299	Decal - Speed ID 30 km/h - 200mm Diameter	1
	N74902	Decal - Speed ID 20 mph - 200mm Diameter (USA only)	
49	N74340	Decal - Warning - Loss of Control	1
	C25809	Decal - Grease 50 Hours (Not Shown)	2
	S55498	Decal - Patent (Not Shown).....	1
	S67899	Decat - Patent (Not Shown)	1
	11547	Decal - Patent Pending (Not Shown).....	1

Frame - Main 40 ft and 50 ft - 12m and 15m



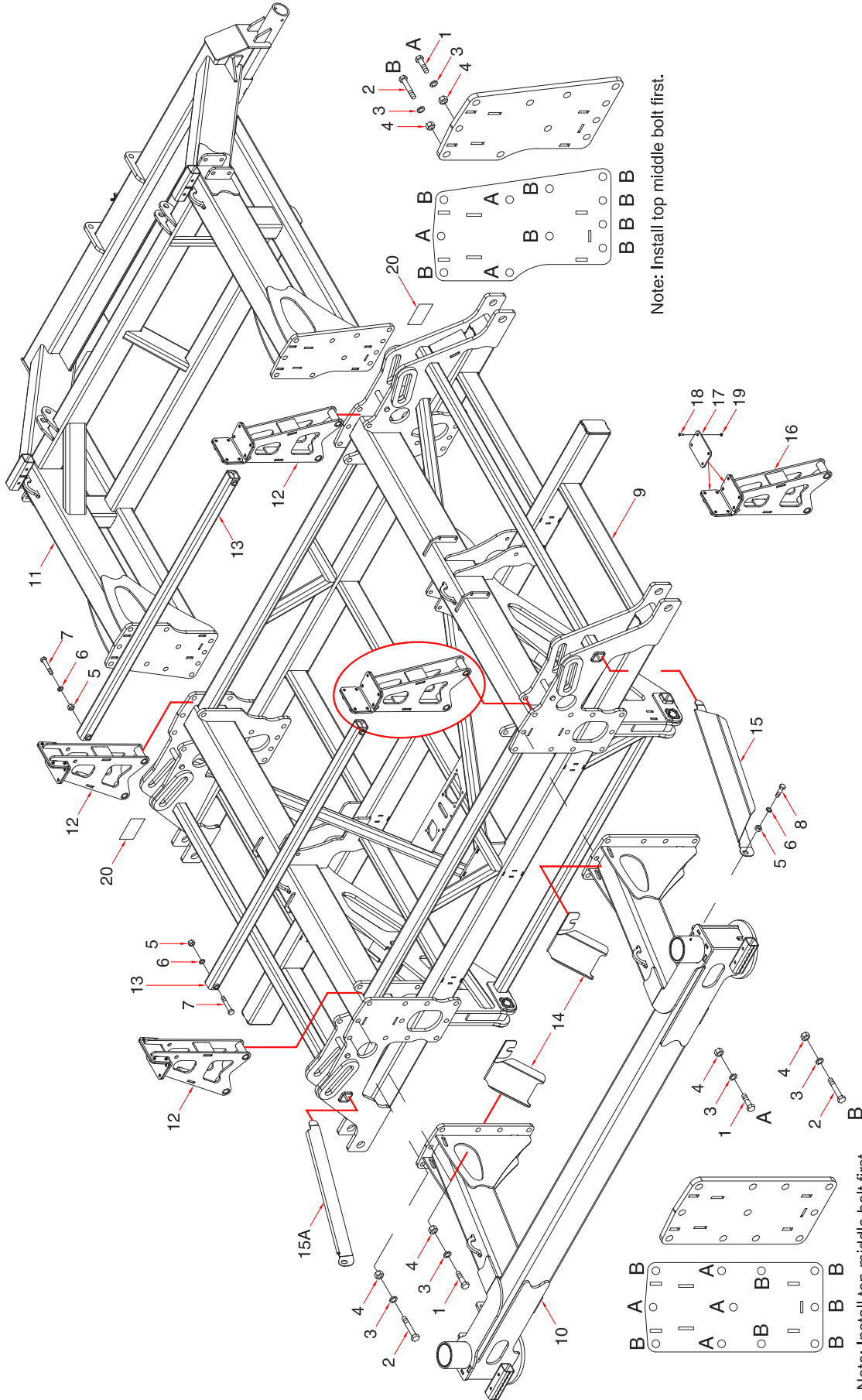
Note: Install top middle bolt first.

Note: Install top middle bolt first.

Frame - Main - 40 ft and 50 ft - 12m and 15m

Item	Part No.	Description	Qty
1	J12344	Hex Bolt - 1 x 3 Lg (Hole A).....	14
2	C18597	Hex Bolt - 1 x 8 Lg (Hole B)	30
3	C-705	Lockwasher - 1.....	44
4	W-520	Hex Nut - 1.....	44
5	D-5558	Hex Bolt - 3/4 x 6 Lg.....	4
6	W-527	Lockwasher - 3/4.....	6
7	W-518	Hex Nut - 3/4.....	6
8	BW-10	Hex Bolt - 3/4 x 1 3/4 Lg.....	2
9	S64240	Main Frame	1
10	S64200	Front Carriage	1
11	S64225	Rear Carriage.....	1
12	S65375	Wing Rest Assembly	2
13	S67250	Primary Hose Deflector	2
14	S66430	Primary Hose Hose Suport - Main - Left side (shown)	1
14A	S66435	Primary Hose Hose Suport - Main - Right side	1
		Quantities given per Wing Rest Assembly	
15	S65330	Wing Rest.....	1
16	S64416	Wear Pad	2
17	C32741	Hex Socket Countersunk Screw - 1/4 x 1 Lg.....	8
18	N15757	Locknut - 1/4 - 20 UNC	8
19	S65153	Decal - Danger: Crushing Hazard.....	2

Frame - Main 60 ft - 18m



Note: Install top middle bolt first.

Note: Install top middle bolt first.

Frame - Main - 60 ft - 18m

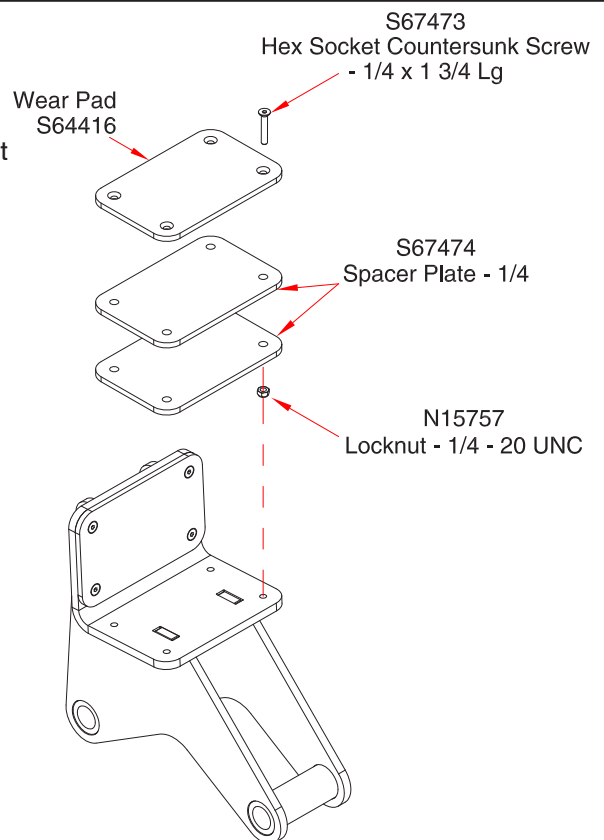
Item	Part No.	Description	Qty
1	J12344	Hex Bolt - 1 x 3 Lg (Hole A).....	14
2	C18597	Hex Bolt - 1 x 8 Lg (Hole B)	30
3	C-705	Lockwasher - 1.....	44
4	W-520	Hex Nut - 1.....	44
5	W-518	Hex Nut - 3/4.....	6
6	W-527	Lockwasher - 3/4.....	6
7	S-1191	Hex Bolt - 3/4 x 5 Lg.....	4
8	BW-10	Hex Bolt - 3/4 x 1 3/4 Lg.....	2
9	S64240	Main Frame	1
10	S64200	Front Carriage	1
11	S64225	Rear Carriage.....	1
12	S65360	Wing Rest Assembly (Includes items 16 - 19).....	4
13	S64994	Wing Rest - Tie Bar	2
14	S67250	Primary Hose Deflector	2
15	S66430	Primary Hose Hose Suport - Main - Left side (shown).....	1
15A	S66435	Primary Hose Hose Suport - Main - Right side	1
Quantities given per Wing Rest Assembly			
16	S64995	Wing Rest.....	1
17	S64416	Wear Pad	2
18	C32741	Hex Socket Countersunk Screw - 1/4 x 1 Lg.....	8
19	N15757	Locknut - 1/4 - 20 UNC	8
20	S65153	Decal - Danger: Crushing Hazard.....	2

Wing Rest Spacer Plate Kit

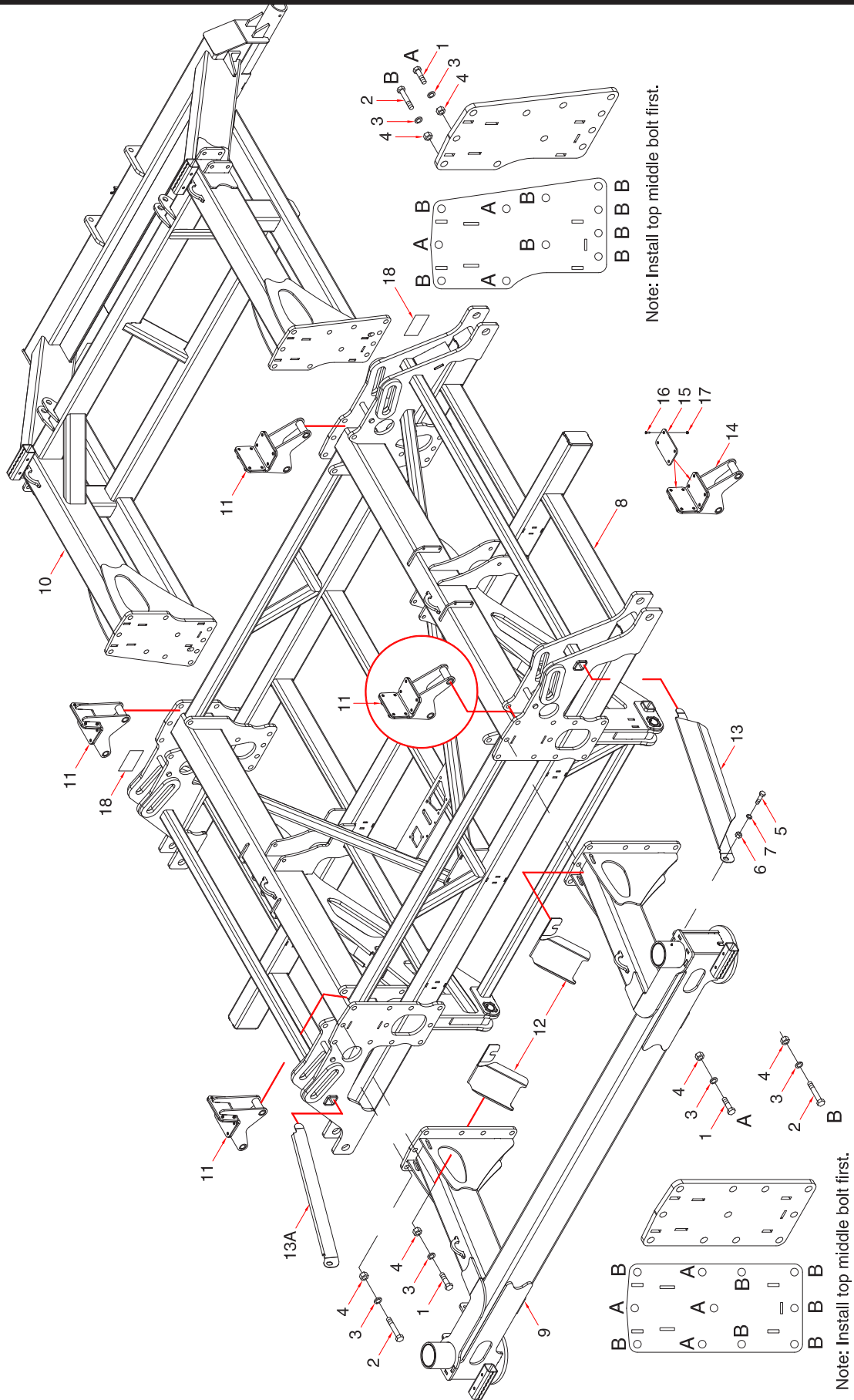
Four S67475 Spacer Plate Kits are provided to adjust wear pad height to ensure outer wings rests on pad.

Kit S67475 includes:

- 4 of N15757 Locknut - 1/4 - 20 UNC
- 4 of S67473 Countersunk Screw - 1/4 x 1 3/4 Lg
- 2 of S67474 Spacer Plate - 1/4



Frame - Main 70 ft - 21m



Frame - Main - 70 ft - 21m

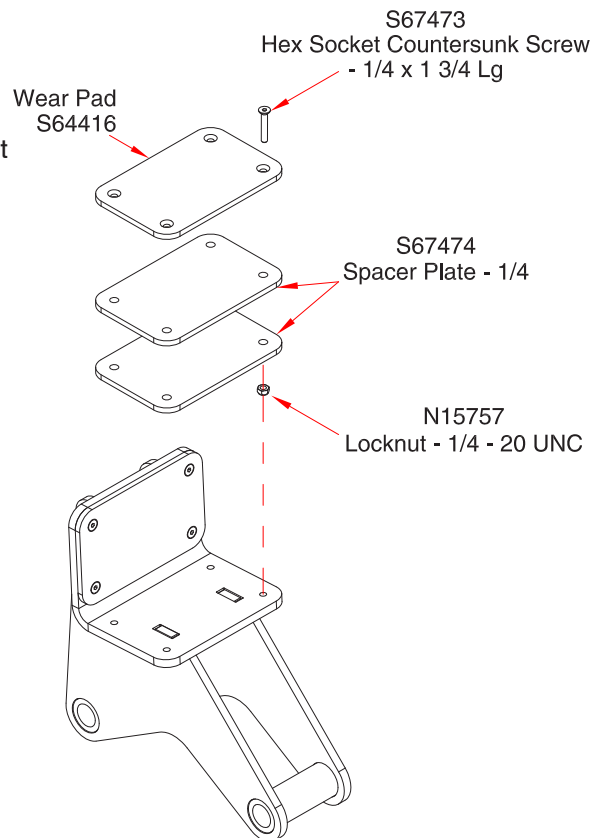
Item	Part No.	Description	Qty
1	J12344	Hex Bolt - 1 x 3 Lg (Hole A).....	14
2	C18597	Hex Bolt - 1 x 8 Lg (Hole B)	30
3	C-705	Lockwasher - 1.....	44
4	W-520	Hex Nut - 1.....	44
5	BW-10	Hex Bolt - 3/4 x 1 3/4 Lg.....	2
6	W-518	Hex Nut - 3/4.....	2
7	W-527	Lockwasher - 3/4.....	2
8	S64240	Main Frame	1
9	S64200	Front Carriage	1
10	S64225	Rear Carriage.....	1
11	S65370	Wing Rest Assembly (Includes items 14 - 17).....	4
12	S67250	Primary Hose Deflector	2
13	S66430	Primary Hose Hose Suport - Main - Left side (shown).....	1
13A	S66435	Primary Hose Hose Suport - Main - Right side	1
Quantities given per Wing Rest Assembly			
14	S64390	Wing Rest.....	1
15	S64416	Wear Pad	2
16	C32741	Hex Socket Countersunk Screw - 1/4 x 1 Lg.....	8
17	N15757	Locknut - 1/4 - 20 UNC	8
18	S65153	Decal - Danger: Crushing Hazard.....	4

Wing Rest Spacer Plate Kit

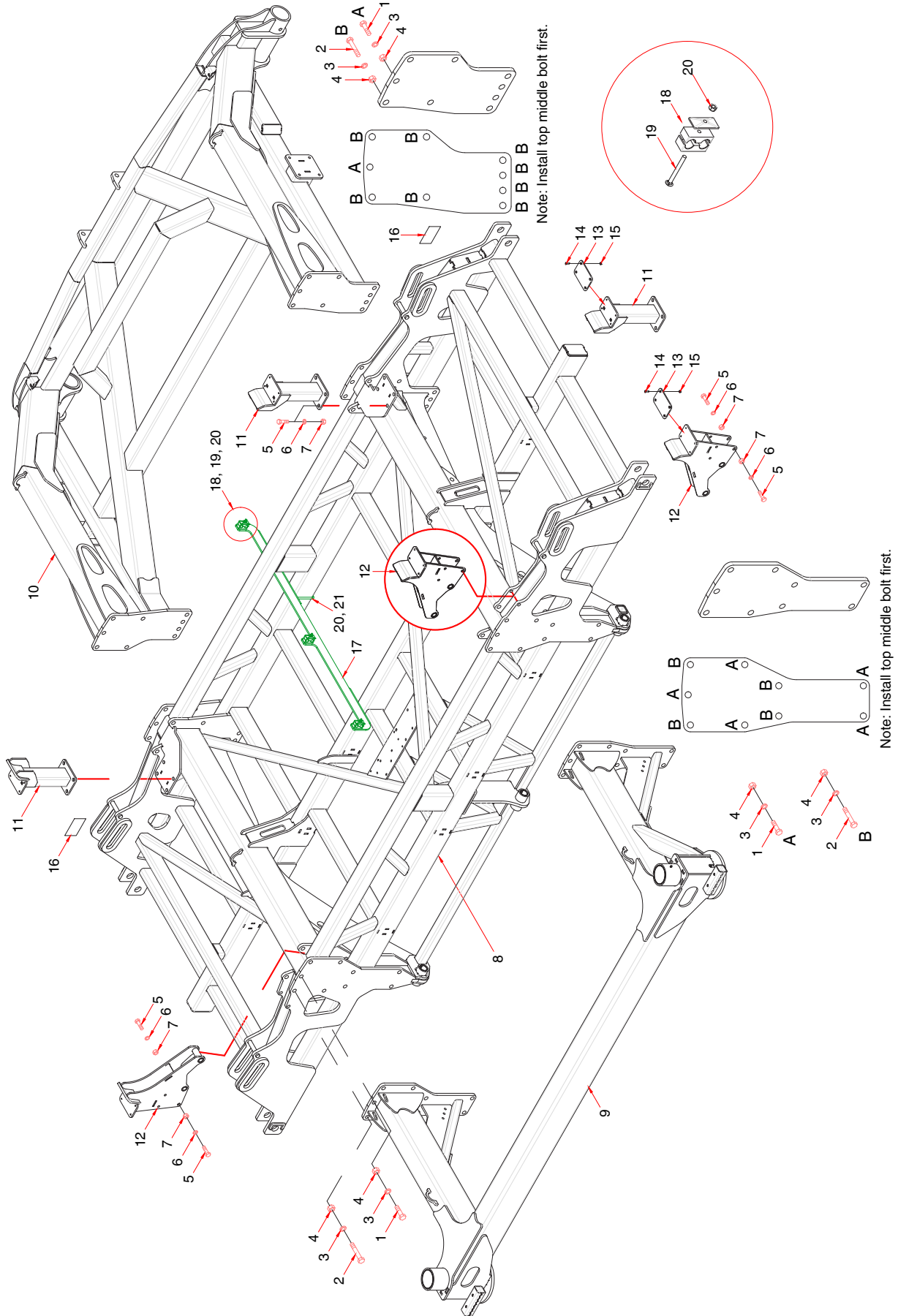
Four S67475 Spacer Plate Kits are provided to adjust wear pad height to ensure outer wings rests on pad.

Kit S67475 includes:

- 4 of N15757 Locknut - 1/4 - 20 UNC
- 4 of S67473 Countersunk Screw - 1/4 x 1 3/4 Lg
- 2 of S67474 Spacer Plate - 1/4



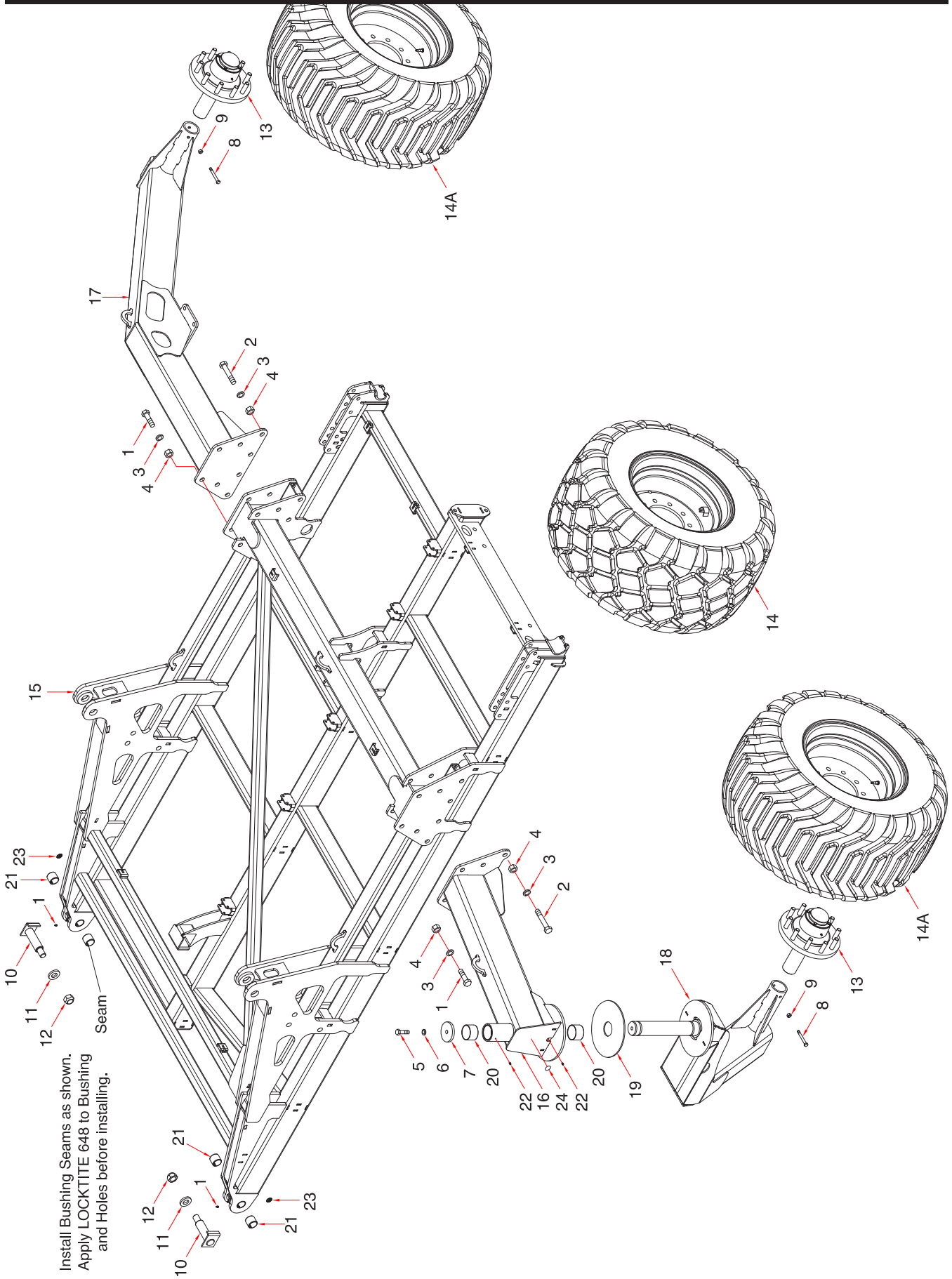
Frame - Main 80 ft - 24m



Frame - Main - 80 ft - 24m

Item	Part No.	Description	Qty
1	J12344	Hex Bolt - 1 x 3 Lg (Hole A).....	12
2	C18597	Hex Bolt - 1 x 8 Lg (Hole B)	24
3	C-705	Lockwasher - 1.....	36
4	W-520	Hex Nut - 1.....	36
5	C-695	Hex Bolt - 3/4 x 2 Lg.....	12
6	W-527	Lockwasher - 3/4.....	12
7	W-518	Hex Nut - 3/4.....	12
8	S72600	Main Frame	1
9	S72860	Front Carriage	1
10	S73330	Rear Carriage.....	1
11	S72685	Wing Rest Assembly - Back (Includes items 13 - 15).....	2
12	S72698	Wing Rest Assembly - Front (Includes items 13 - 15).....	2
Quantities given per Wing Rest Assembly			
13	S64416	Wear Pad	1
14	C32741	Hex Socket Countersunk Screw - 1/4 x 1 Lg.....	4
15	N15757	Locknut - 1/4 - 20 UNC	4
16	S65153	Decal - Danger: Crushing Hazard.....	2
Hydraulic Hose Holder			
17	S73373	Hose Holder	1
18	11740	Plastic Hose Clamp Assembly - 13/16	3
19	S66015	Carriage Bolt - 5/16 X 3 Lg.....	3
20	C32925	Locknut - 5/16 Center.....	3
20	C-3932	U-Bolt - 1/2 X 4 X 7 1/4 UL	2
21	D14565	Locknut - 1/2 Serrated.....	4

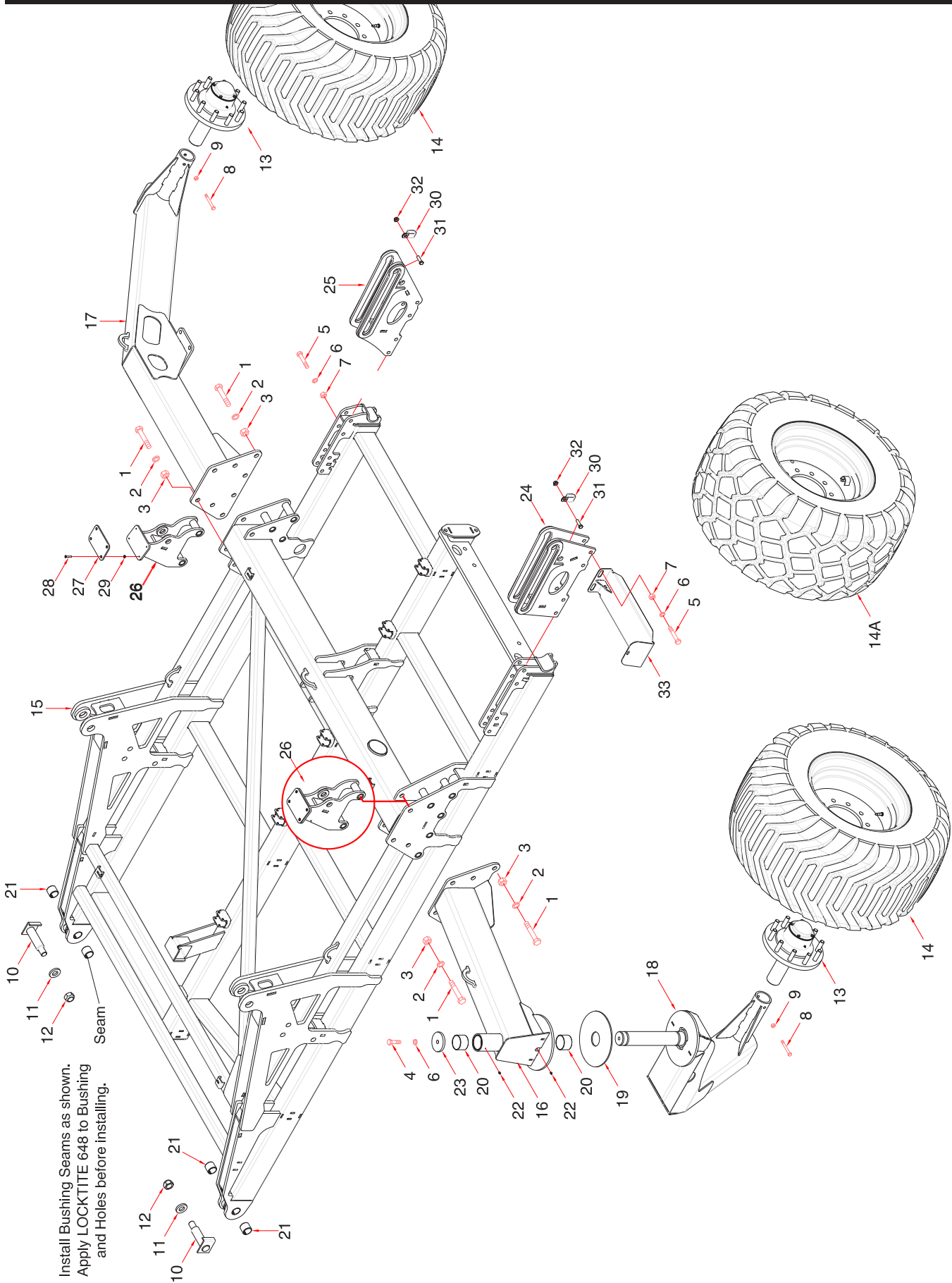
Frame - Wing 40 ft - 12m



Frame - Wing - 40 ft - 12m

Item	Part No.	Description	Qty
		Quantities given per Wing	
1	J12344	Hex Bolt - 1 x 3 Lg (Prior to 2022).....	4
	D12903	Hex Bolt - 1 x 7 Lg (From 2022 to Present).....	4
2	D12903	Hex Bolt - 1 x 7 Lg.....	12
3	C-705	Lockwasher - 1.....	16
4	W-520	Hex Nut - 1.....	16
5	C-695	Hex Bolt - 3/4 x 2 Lg.....	1
6	W-527	Lockwasher - 3/4.....	1
7	S64303	Cap - Castor Wing - 4 1/4 Dia.....	1
8	S-951	Bolt - 1/2 x 4 1/2 Lg.....	2
9	F-3405	Lock Nut - 1/2 Uunitorque.....	2
10	S64305	Pin - 1 3/4 x 5 1/2 Lg.....	2
11	S26462	Washer - 1 1/4 ID x 2 1/2 OD x 3/8 Thick.....	2
12	S39780	Lock Nut - 1 1/4 Uunitorque.....	2
13	S72080	Hub and Spindle Assembly.....	2
	S64970	Axle and Spindle Assembly - Prior to Serial Number QT40210486	
14	S68660	Tire and Rim Assembly - By-Directional (From 2021 to Present)	2
14A	K65091	Tire and Rim Assembly - Right (Shown) use on left side of machine (Prior to 2021).....	2
	K65090	Tire and Rim Assembly - Left (Not Shown) use on right side of machine (Prior to 2021)	
15	S65305	Wing - Left.....	1
	S65310	Wing - Right (Not Shown).....	1
16	S64335	Front Depth Beam (Includes items 20 and 22).....	1
17	S66474	Rear Depth Beam - Left.....	1
	S66476	Rear Depth Beam - Right (Not Shown).....	1
18	S66295	Castor - Wing - Left.....	1
	S66297	Castor - Wing - Right (Not Shown).....	1
19	S64210	Wear Disc - 3 1/16 ID x 12 OD x 1/4 Thick.....	1
20	S64944	Bushing - 3.00 ID x 3.188 OD x 2 Lg.....	2
21	S64325	Bushing - Spring - 1.75 x 2.00 x 1.75 Lg Nominal Size.....	4
22	S-752	Grease Nipple.....	4
23	C25810	Decal - Grease 100 Hours.....	2
24	C25809	Decal - Grease 50 Hours.....	1

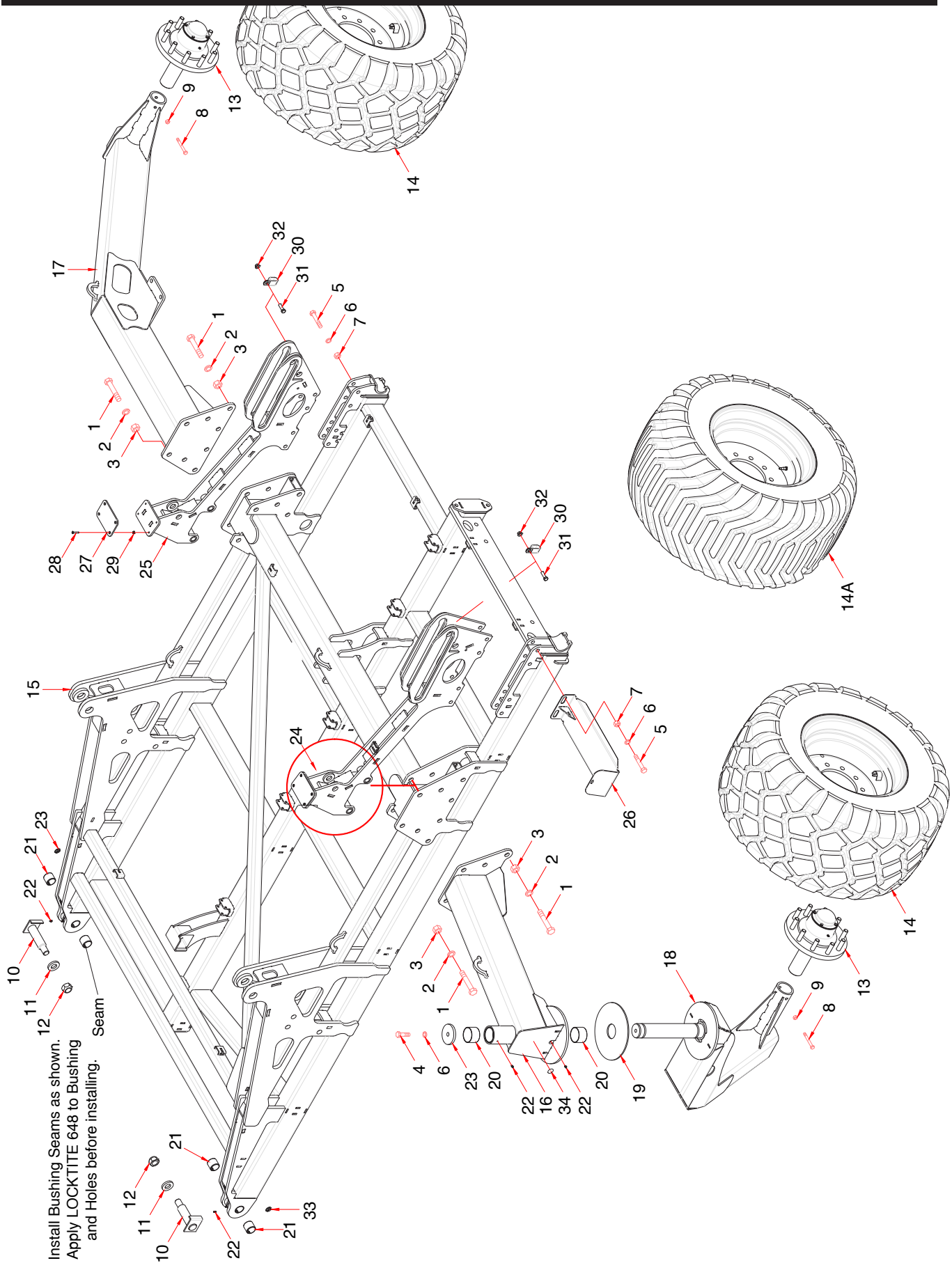
Frame - Wing 50 ft - 15m - Version 1



Frame - Wing - 50 ft - 15m - Version 1

Item	Part No.	Description	Qty
		Quantities given per Wing	
1	D12903	Hex Bolt - 1 x 7 Lg.....	16
2	C-705	Lockwasher - 1.....	16
3	W-520	Hex Nut - 1.....	16
4	C-695	Hex Bolt - 3/4 x 2 Lg.....	1
5	S-1191	Hex Bolt - 3/4 x 5 Lg.....	8
6	W-527	Lockwasher - 3/4.....	9
7	W-518	Hex Nut - 3/4.....	8
8	S-951	Bolt - 1/2 x 4 1/2 Lg.....	2
9	F-3405	Lock Nut - 1/2 Unitorque.....	2
10	S64305	Pin - 1 3/4 x 5 1/2 Lg.....	2
11	S26462	Washer - 1 1/4 ID x 2 1/2 OD x 3/8 Thick.....	2
12	S39780	Lock Nut - 1 1/4 Unitorque.....	2
13	S72080	Hub and Spindle Assembly.....	2
	S64970	Axle and Spindle Assembly - Prior to Serial Number QT50210561	
14	K65091	Tire and Rim Assembly - Right (Shown) . . . use on left side of machine.....	2
	K65090	Tire and Rim Assembly - Left (Not Shown) . . . use on right side of machine	
14A	S68660	Tire and Rim Assembly - By-Directional	
15	S65305	Wing - Left.....	1
	S65310	Wing - Right (Not Shown).....	1
16	S64335	Front Depth Beam (Includes items 20 and 22).....	1
17	S66474	Rear Depth Beam - Left.....	1
	S66476	Rear Depth Beam - Right (Not Shown).....	1
18	S66295	Castor - Wing - Left.....	1
	S66297	Castor - Wing - Right (Not Shown).....	1
19	S64210	Wear Disc - 3 1/16 ID x 12 OD x 1/4 Thick.....	1
20	S64944	Bushing - 3.00 ID x 3.188 OD x 2 Lg.....	2
21	S64325	Bushing - Spring - 1.75 x 2.00 x 1.75 Lg Nominal Size.....	4
22	S-752	Grease Nipple.....	2
	C25809	Decal - Grease 50 Hours (Not Shown).....	1
23	S64303	Cap - Castor Wing - 4 1/4 Dia.....	1
24	S65340	Front Flip Hinge.....	1
25	S65345	Rear Flip Hinge.....	1
26	S65365	Wing Rest.....	2
27	S64416	Wear Pad.....	2
28	C32741	Hex Socket Countersunk Screw - 1/4 x 1 Lg.....	8
29	N15757	Locknut - 1/4 - 20 UNC.....	8
30	S66255	Hose Holder.....	2
31	W-475	Hex Bolt - 3/8 x 1 Lg.....	2
32	D-5279	Locknut - 3/8 Serrated.....	2
33	N67295	Primary Hose Guide Plate - Wing.....	1

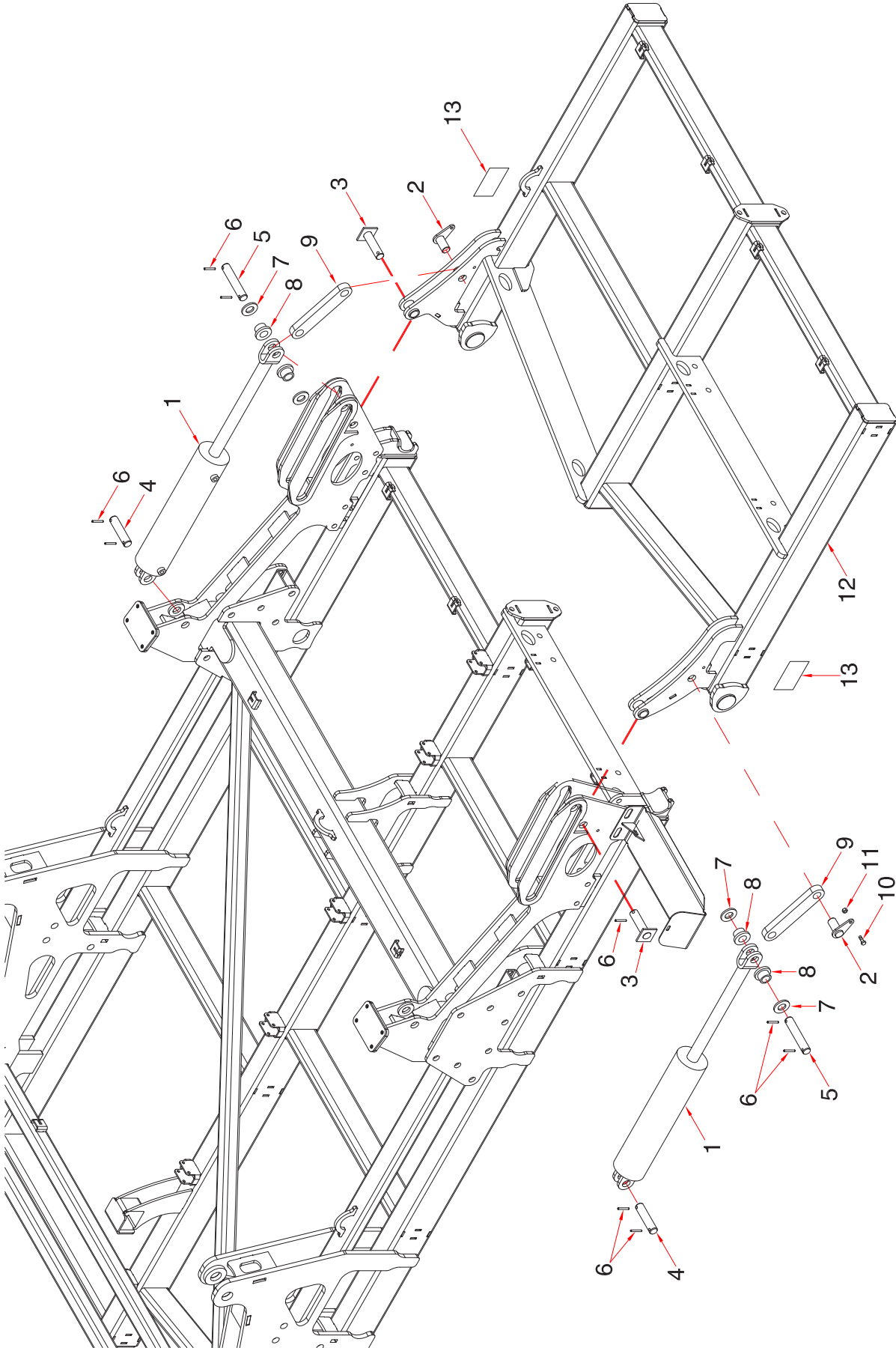
Frame - Wing 50 ft - 15m - Version 2



Frame - Wing - 50 ft - 15m - Version 2

Item	Part No.	Description	Qty
		Quantities given per Wing	
1	D12903	Hex Bolt - 1 x 7 Lg.....	16
2	C-705	Lockwasher - 1.....	16
3	W-520	Hex Nut - 1.....	16
4	C-695	Hex Bolt - 3/4 x 2 Lg.....	1
5	S-1191	Hex Bolt - 3/4 x 5 Lg.....	8
6	W-527	Lockwasher - 3/4.....	9
7	W-518	Hex Nut - 3/4.....	8
8	S-951	Bolt - 1/2 x 4 1/2 Lg.....	2
9	F-3405	Lock Nut - 1/2 Unitorque.....	2
10	S64305	Pin - 1 3/4 x 5 1/2 Lg.....	2
11	S26462	Washer - 1 1/4 ID x 2 1/2 OD x 3/8 Thick.....	2
12	S39780	Lock Nut - 1 1/4 Unitorque.....	2
13	S72080	Hub and Spindle Assembly.....	2
	S64970	Axle and Spindle Assembly - Prior to Serial Number QT50210561	
14	S68660	Tire and Rim Assembly - By-Directional (From 2021 to Present)	2
14A	K65091	Tire and Rim Assembly - Right (Shown) use on left side of machine (Prior to 2021).....	2
	K65090	Tire and Rim Assembly - Left (Not Shown) use on right side of machine (Prior to 2021)	
15	S65305	Wing - Left.....	1
	S65310	Wing - Right (Not Shown).....	1
16	S64335	Front Depth Beam (Includes items 20 and 22).....	1
17	S66474	Rear Depth Beam - Left.....	1
	S66476	Rear Depth Beam - Right (Not Shown).....	1
18	S66295	Castor - Wing - Left.....	1
	S66297	Castor - Wing - Right (Not Shown).....	1
19	S64210	Wear Disc - 3 1/16 ID x 12 OD x 1/4 Thick.....	1
20	S64944	Bushing - 3.00 ID x 3.188 OD x 2 Lg.....	2
21	S64325	Bushing - Spring - 1.75 x 2.00 x 1.75 Lg Nominal Size.....	4
22	S-752	Grease Nipple.....	4
23	S64303	Cap - Castor Wing - 4 1/4 Dia.....	1
24	S68805	Front Flip Hinge.....	1
25	S68809	Rear Flip Hinge.....	1
26	N67295	Primary Hose Guide Plate - Wing.....	1
27	S64416	Wear Pad.....	2
28	C32741	Hex Socket Countersunk Screw - 1/4 x 1 Lg.....	8
29	N15757	Locknut - 1/4 - 20 UNC.....	8
30	S68415	Hose Holder.....	2
31	W-475	Hex Bolt - 3/8 x 1 Lg.....	2
32	D-5279	Locknut - 3/8 Serrated.....	2
33	C25810	Decal - Grease 100 Hours.....	2
34	C25809	Decal - Grease 50 Hours.....	1

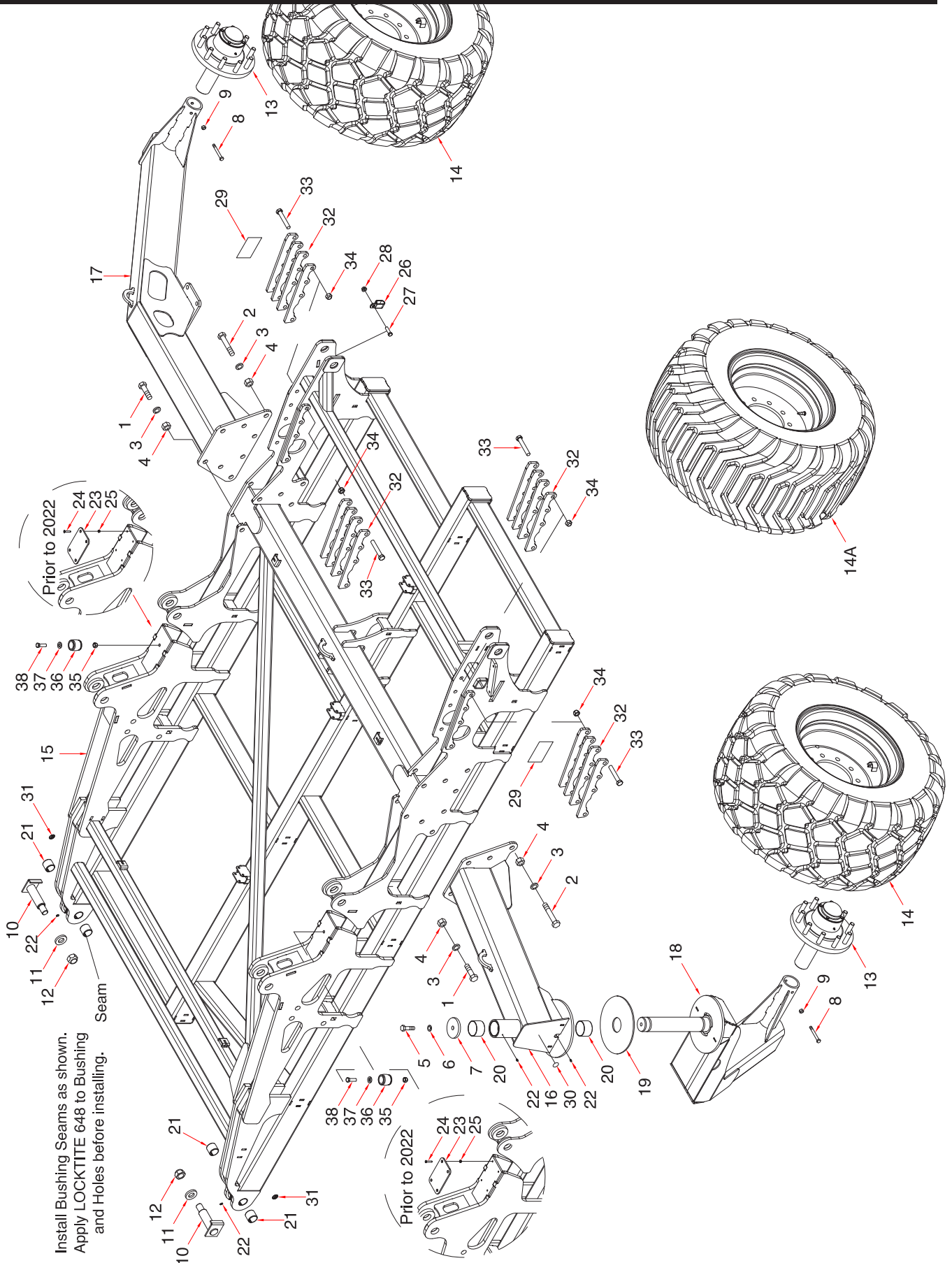
Frame - Wing
50 ft - 15m - Flip Wing



Frame - Wing - 50 ft - 15m - Flip Wing

Item	Part No.	Description	Qty
Quantities given per Wing			
1	C65366	Cylinder - 4 1/2 x 18	2
2	S65374	Pin - 1 1/4 x 2 3/8 UL	2
3	S45796	Pin - 1 1/4 x 4 1/16 UL	2
4	S65372	Pin - 1 1/4 x 4 1/4 UL	2
5	S65368	Pin - 1 1/4 x 5 5/8 UL	2
6	T-5245	Spiral Pin - 3/8 x 2 1/2 Lg.....	10
7	N13962	Flat Washer - 1 9/32 ID x 2 1/2 OD x 1/4 Thick.....	4
8	S65367	Wing Lift Roller - 1.281 ID x 1.75 OD x 2 1/2 OD x 1 13/32 Lg	4
9	S65369	Wing Lift Link - 1 x 2 3/8 x 11 5/8 Lg - 1.281 Dia holes - 9 1/4 Hole Centers.....	2
10	W-187	Hex Bolt - 3/8 x 1 1/4.....	2
11	M-3388	Hex Lock Nut - 3/8	2
12	S65350	Wing - Left	1
	S65355	Wing - Right (Not Shown)	1
13	S65153	Decal - Danger: Crushing Hazard.....	2

Frame - Wing 60 ft - 18m - Inner Wing



Install Bushing Seams as shown.
Apply LOCKTITE 648 to Bushing
and Holes before installing.

Seam

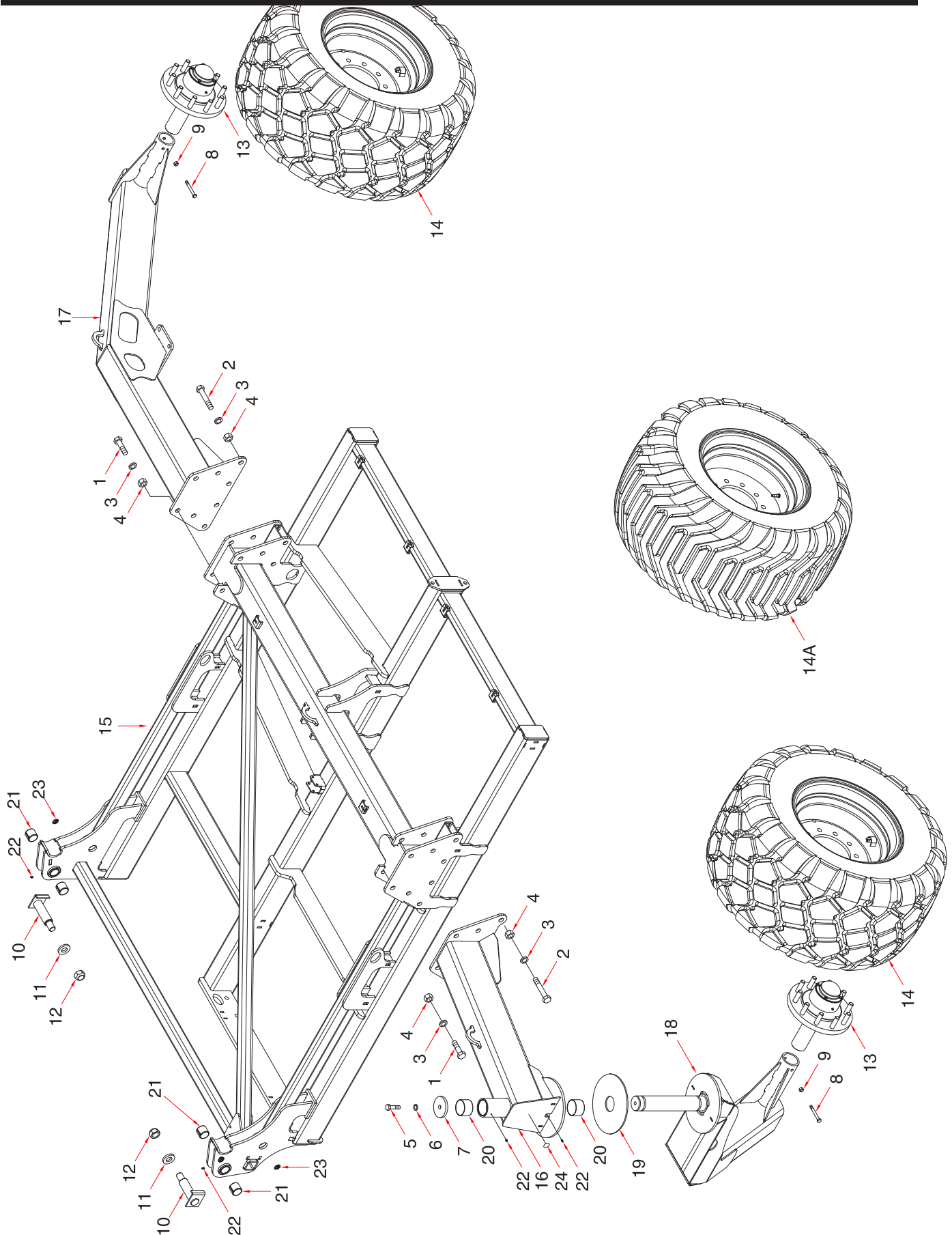
Prior to 2022

Prior to 2022

Frame - Wing - 60 ft - 18m - Inner Wing

Item	Part No.	Description	Qty
Quantities given per Wing			
1	J12344	Hex Bolt - 1 x 3 Lg (Prior to 2022).....	4
	D12903	Hex Bolt - 1 x 7 Lg (From 2022 to Present)	4
2	D12903	Hex Bolt - 1 x 7 Lg.....	12
3	C-705	Lockwasher - 1.....	16
4	W-520	Hex Nut - 1.....	16
5	C-695	Hex Bolt - 3/4 x 2 Lg.....	1
6	W-527	Lockwasher - 3/4.....	1
7	S64303	Cap - Castor Wing - 4 1/4 Dia	1
8	S-951	Bolt - 1/2 x 4 1/2 Lg.....	2
9	F-3405	Lock Nut - 1/2 Unitorque	2
10	S64305	Pin - 1 3/4 x 5 1/2 Lg.....	2
11	S26462	Washer - 1 1/4 ID x 2 1/2 OD x 3/8 Thick.....	2
12	S39780	Lock Nut - 1 1/4 Unitorque	2
13	S72080	Hub and Spindle Assembly	2
	S64970	Axle and Spindle Assembly - Prior to Serial Number QT60210745	
14	S68660	Tire and Rim Assembly - By-Directional (From 2021 to Present)	2
14A	K65091	Tire and Rim Assembly - Right (Shown) use on left side of machine (Prior to 2021)	2
	K65090	Tire and Rim Assembly - Left (Not Shown) use on right side of machine (Prior to 2021)	
15	S64961	Wing Inner - Left.....	1
	S64963	Wing Inner - Right (Not Shown)	1
16	S64335	Front Depth Beam (Includes items 20, 22 and 30).....	1
17	S66474	Rear Depth Beam - Left.....	1
	S66476	Rear Depth Beam - Right (Not Shown).....	1
18	S66295	Castor - Wing - Left	1
	S66297	Castor - Wing - Right (Not Shown).....	1
19	S64210	Wear Disc - 3 1/16 ID x 12 OD x 1/4 Thick.....	1
20	S64944	Bushing - 3.00 ID x 3.188 OD x 2 Lg	2
21	S64325	Bushing - Spring - 1.75 x 2.00 x 1.75 Lg Nominal Size.....	4
22	S-752	Grease Nipple	4
23	S64416	Wear Pad - (Prior to 2022).....	2
24	C32741	Hex Socket Countersunk Screw - 1/4 x 1 Lg - (Prior to 2022).....	8
25	N15757	Locknut - 1/4 - 20 UNC - (Prior to 2022)	8
26	S68415	Hose Holder	2
27	W-475	Hex Bolt - 3/8 x 1 Lg.....	2
28	D-5279	Locknut - 3/8 Serrated.....	2
29	S65153	Decal - Danger: Crushing Hazard.....	2
30	C25809	Decal - Grease 50 Hours	1
(Below Items From 2022 to Present)			
31	C25810	Decal - Grease 100 Hours.....	2
32	S71923	Support - Wing Lift Roller	16
33	S-1175	Bolt - 3/4 x 4 1/2 Lg.....	16
34	D-5273	Locknut - 3/4 Unitorque.....	16
35	F-3405	Locknut - 1/2 Unitorque.....	2
36	11678	Bump Stop	2
37	S-1925	Washer - 17/32 ID x 1 OD x 13 GA	2
38	W-486	Bolt - 1/2 x 1 1/2 Lg.....	2

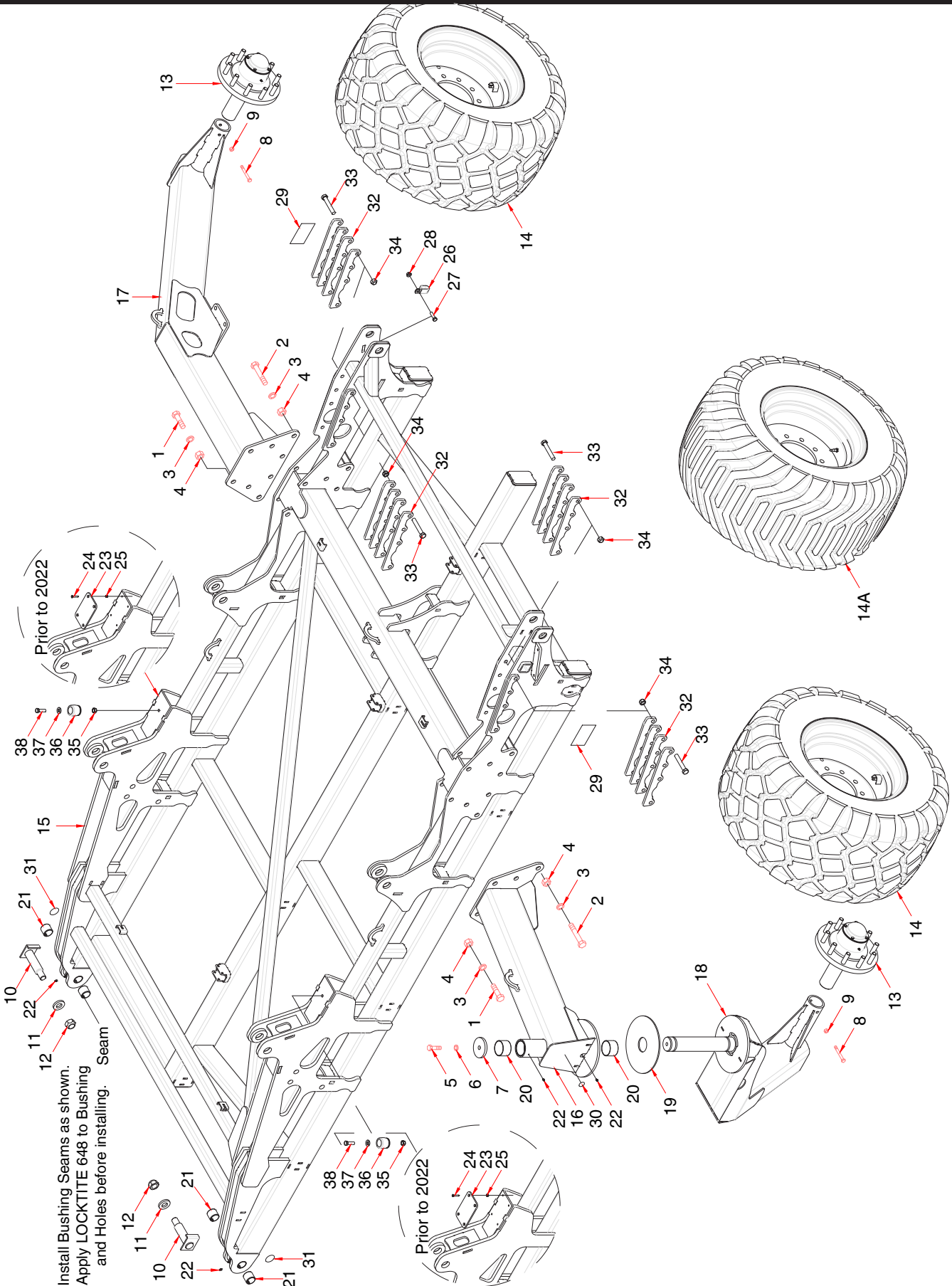
**Frame - Wing
60 ft - 18m - Outer Wing**



Frame - Wing - 60 ft - 18m - Outer Wing

Item	Part No.	Description	Qty
		Quantities given per Wing	
1	J12344	Hex Bolt - 1 x 3 Lg (Prior to 2022).....	4
	D12903	Hex Bolt - 1 x 7 Lg (From 2022 to Present).....	4
2	D12903	Hex Bolt - 1 x 7 Lg.....	12
3	C-705	Lockwasher - 1.....	16
4	W-520	Hex Nut - 1.....	16
5	C-695	Hex Bolt - 3/4 x 2 Lg.....	1
6	W-527	Lockwasher - 3/4.....	1
7	S64303	Cap - Castor Wing - 4 1/4 Dia.....	1
8	S-951	Bolt - 1/2 x 4 1/2 Lg.....	2
9	F-3405	Lock Nut - 1/2 Unitorque.....	2
10	S64305	Pin - 1 3/4 x 5 1/2 Lg.....	2
11	S26462	Washer - 1 1/4 ID x 2 1/2 OD x 3/8 Thick.....	2
12	S39780	Lock Nut - 1 1/4 Unitorque.....	2
13	S72080	Hub and Spindle Assembly.....	2
	S64970	Axle and Spindle Assembly - Prior to Serial Number QT60210745	
14	S68660	Tire and Rim Assembly - By-Directional (From 2021 to Present)	2
14A	K65091	Tire and Rim Assembly - Right (Shown) use on left side of machine (Prior to 2021).....	2
	K65090	Tire and Rim Assembly - Left (Not Shown) use on right side of machine (Prior to 2021)	
15	S64967	Wing Outer - Left.....	1
	S64969	Wing Outer - Right (Not Shown).....	1
16	S64335	Front Depth Beam (Includes items 20 and 22).....	1
17	S66474	Rear Depth Beam - Left.....	1
	S66476	Rear Depth Beam - Right (Not Shown).....	1
18	S66295	Castor - Wing - Left.....	1
	S66297	Castor - Wing - Right (Not Shown).....	1
19	S64210	Wear Disc - 3 1/16 ID x 12 OD x 1/4 Thick.....	1
20	S64944	Bushing - 3.00 ID x 3.188 OD x 2 Lg.....	2
21	S64325	Bushing - Spring - 1.75 x 2.00 x 1.75 Lg Nominal Size.....	4
22	S-752	Grease Nipple.....	4
23	C25810	Decal - Grease 100 Hours.....	2
24	C25809	Decal - Grease 50 Hours.....	1

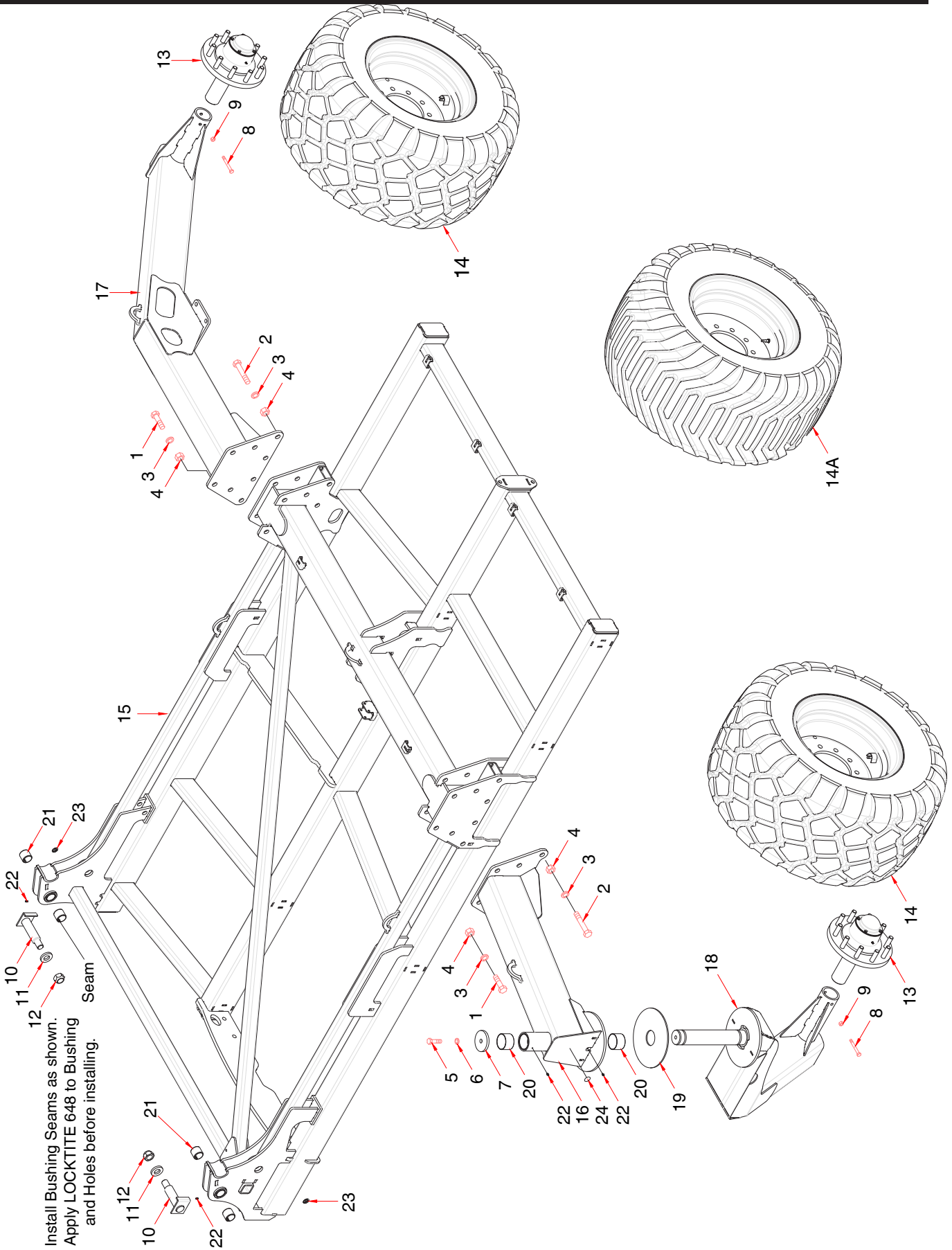
Frame - Wing 70 ft - 21m - Inner Wing



Frame - Wing - 70 ft - 21m - Inner Wing

Item	Part No.	Description	Qty
Quantities given per Wing			
1	J12344	Hex Bolt - 1 x 3 Lg (Prior to 2022).....	4
	D12903	Hex Bolt - 1 x 7 Lg (From 2022 to Present)	4
2	D12903	Hex Bolt - 1 x 7 Lg.....	12
3	C-705	Lockwasher - 1.....	16
4	W-520	Hex Nut - 1.....	16
5	C-695	Hex Bolt - 3/4 x 2 Lg.....	1
6	W-527	Lockwasher - 3/4.....	1
7	S64303	Cap - Castor Wing - 4 1/4 Dia	1
8	S-951	Bolt - 1/2 x 4 1/2 Lg.....	2
9	F-3405	Lock Nut - 1/2 Uunitorque	2
10	S64305	Pin - 1 3/4 x 5 1/2 Lg.....	2
11	S26462	Washer - 1 1/4 ID x 2 1/2 OD x 3/8 Thick.....	2
12	S39780	Lock Nut - 1 1/4 Uunitorque	2
13	S72080	Hub and Spindle Assembly	2
	S64970	Axle and Spindle Assembly - Prior to Serial Number QT70210794	
14	S68660	Tire and Rim Assembly - By-Directional (From 2021 to Present)	2
14A	K65091	Tire Rim Assembly - Right (Shown) use on left side of machine (Prior to 2021)	2
	K65090	Tire Rim Assembly - Left (Not Shown) use on right side of machine (Prior to 2021)	
15	S64290	Wing Inner - Left.....	1
	S64250	Wing Inner - Right (Not Shown)	1
16	S64335	Front Depth Beam (Includes items 20 and 22).....	1
17	S66474	Rear Depth Beam - Left.....	1
	S66476	Rear Depth Beam - Right (Not Shown).....	1
18	S66295	Castor - Wing - Left	1
	S66297	Castor - Wing - Right (Not Shown).....	1
19	S64210	Wear Disc - 3 1/16 ID x 12 OD x 1/4 Thick.....	1
20	S64944	Bushing - 3.00 ID x 3.188 OD x 2 Lg	2
21	S64325	Bushing - Spring - 1.75 x 2.00 x 1.75 Lg Nominal Size.....	4
22	S-752	Grease Nipple	4
23	S64416	Wear Pad - (Prior to 2022).....	2
24	C32741	Hex Socket Countersunk Screw - 1/4 x 1 Lg - (Prior to 2022).....	8
25	N15757	Locknut - 1/4 - 20 UNC - (Prior to 2022)	8
26	S68415	Hose Holder	2
27	W-475	Hex Bolt - 3/8 x 1 Lg.....	2
28	D-5279	Locknut - 3/8 Serrated.....	2
29	S65153	Decal - Danger: Crushing Hazard.....	2
30	C25809	Decal - Grease 50 Hours (Not Shown)	1
(Below Items From 2022 to Present)			
31	C25810	Decal - Grease 100 Hours (Not Shown).....	2
32	S71923	Support - Wing Lift Roller	16
33	S-1175	Bolt - 3/4 x 4 1/2 Lg.....	16
34	D-5273	Locknut - 3/4 Uunitorque.....	16
35	F-3405	Locknut - 1/2 Uunitorque.....	2
36	11678	Bump Stop	2
37	S-1925	Washer - 17/32 ID x 1 OD x 13 GA	2
38	W-486	Bolt - 1/2 x 1 1/2 Lg.....	2

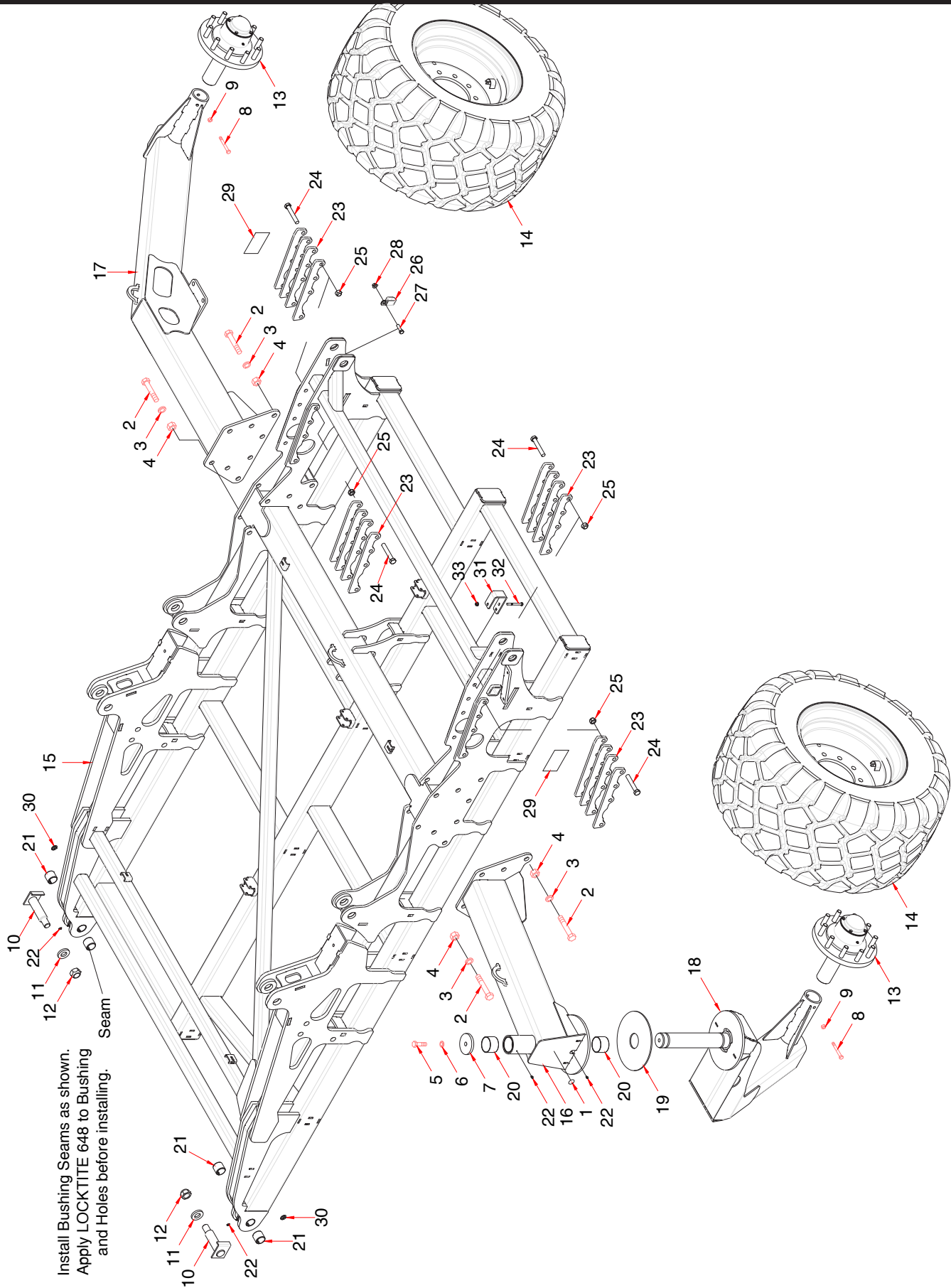
Frame - Wing 70 ft - 21m - Outer Wing



Frame - Wing - 70 ft - 21m - Outer Wing

Item	Part No.	Description	Qty
Quantities given per Wing			
1	J12344	Hex Bolt - 1 x 3 Lg (Prior to 2022).....	4
	D12903	Hex Bolt - 1 x 7 Lg (From 2022 to Present)	4
2	D12903	Hex Bolt - 1 x 7 Lg.....	12
3	C-705	Lockwasher - 1.....	16
4	W-520	Hex Nut - 1.....	16
5	C-695	Hex Bolt - 3/4 x 2 Lg.....	1
6	W-527	Lockwasher - 3/4.....	1
7	S64303	Cap - Castor Wing - 4 1/4 Dia	1
8	S-951	Bolt - 1/2 x 4 1/2 Lg.....	2
9	F-3405	Lock Nut - 1/2 Unitorque	2
10	S64305	Pin - 1 3/4 x 5 1/2 Lg.....	2
11	S26462	Washer - 1 1/4 ID x 2 1/2 OD x 3/8 Thick.....	2
12	S39780	Lock Nut - 1 1/4 Unitorque	2
13	S72080	Hub and Spindle Assembly	2
	S64970	Axle and Spindle Assembly - Prior to Serial Number QT70210794	
14	S68660	Tire and Rim Assembly - By-Directional (From 2021 to Present)	2
14A	K65091	Tire Rim Assembly - Right (Shown) use on left side of machine (Prior to 2021)	2
	K65090	Tire Rim Assembly - Left (Not Shown) use on right side of machine (Prior to 2021)	
15	S64270	Wing Outer - Left.....	1
	S64260	Wing Outer - Right (Not Shown)	1
16	S64335	Front Depth Beam (Includes items 20 and 22).....	1
17	S66474	Rear Depth Beam - Left.....	1
	S66476	Rear Depth Beam - Right (Not Shown).....	1
18	S66295	Castor - Wing - Left	1
	S66297	Castor - Wing - Right (Not Shown).....	1
19	S64210	Wear Disc - 3 1/16 ID x 12 OD x 1/4 Thick.....	1
20	S64944	Bushing - 3.00 ID x 3.188 OD x 2 Lg	2
21	S64325	Bushing - Spring - 1.75 x 2.00 x 1.75 Lg Nominal Size.....	4
22	S-752	Grease Nipple	4
23	C25810	Decal - Grease 100 Hours.....	2
24	C25809	Decal - Grease 50 Hours	1

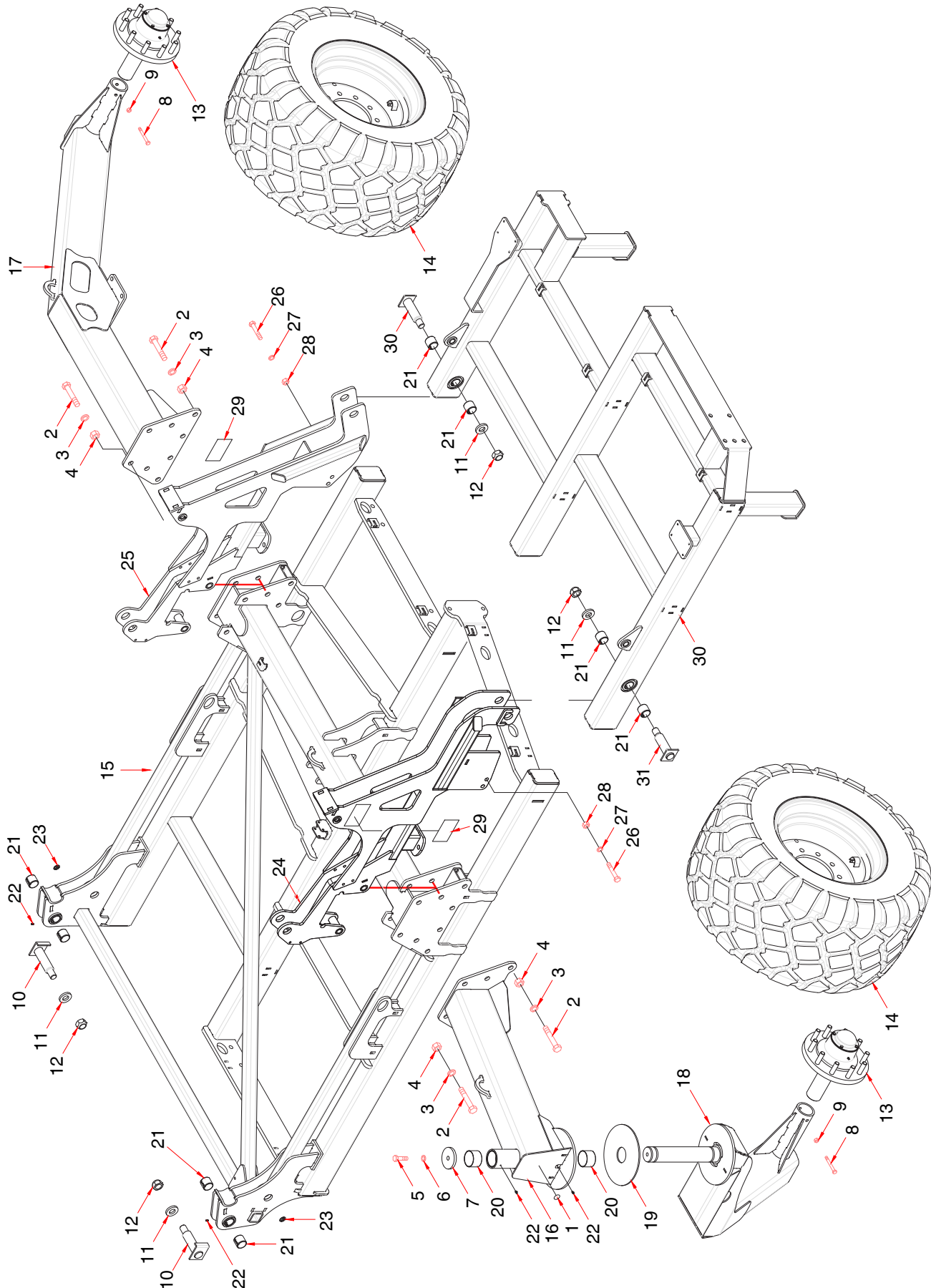
Frame - Wing 80 ft - 24m - Inner Wing



Frame - Wing - 80 ft - 24m - Inner Wing

Item	Part No.	Description	Qty
		Quantities given per Wing	
1	C25809	Decal - Grease 50 Hours	1
2	D12903	Hex Bolt - 1 x 7 Lg.....	16
3	C-705	Lockwasher - 1.....	16
4	W-520	Hex Nut - 1.....	16
5	C-695	Hex Bolt - 3/4 x 2 Lg.....	1
6	W-527	Lockwasher - 3/4.....	1
7	S64303	Cap - Castor Wing - 4 1/4 Dia	1
8	S-951	Bolt - 1/2 x 4 1/2 Lg.....	2
9	F-3405	Lock Nut - 1/2 Unitorque	2
10	S64305	Pin - 1 3/4 x 5 1/2 Lg.....	2
11	S26462	Washer - 1 1/4 ID x 2 1/2 OD x 3/8 Thick.....	2
12	S39780	Lock Nut - 1 1/4 Unitorque	2
13	S72080	Hub and Spindle Assembly	2
14	S68660	Tire and Rim Assembly	2
15	S64961	Wing Inner - Left.....	1
	S64963	Wing Inner - Right (Not Shown)	1
16	S64335	Front Depth Beam (Includes items 20, 22 and 30).....	1
17	S66474	Rear Depth Beam - Left.....	1
	S66476	Rear Depth Beam - Right (Not Shown).....	1
18	S66295	Castor - Wing - Left	1
	S66297	Castor - Wing - Right (Not Shown).....	1
19	S64210	Wear Disc - 3 1/16 ID x 12 OD x 1/4 Thick.....	1
20	S64944	Bushing - 3.00 ID x 3.188 OD x 2 Lg	2
21	S64325	Bushing - Spring - 1.75 x 2.00 x 1.75 Lg Nominal Size.....	4
22	S-752	Grease Nipple	4
23	S71923	Support - Wing Lift Roller	16
24	S-1175	Bolt - 3/4 x 4 1/2 Lg.....	16
25	D-5273	Locknut - 3/4 Unitorque.....	16
26	S68415	Hose Holder	2
27	W-475	Hex Bolt - 3/8 x 1 Lg.....	2
28	D-5279	Locknut - 3/8 Serrated.....	2
29	S65153	Decal - Danger: Crushing Hazard.....	2
30	C25810	Decal - Grease 100 Hours.....	2
31	S72949	Bracket Hydraulic Hoses (Left side shown. Mounts to the back on Right side).....	1
32	W-481	Hex Bolt - 3/8 x 3 1/2 Lg.....	1
33	S27987	Lock Nut - 3/8 Flanged.....	1

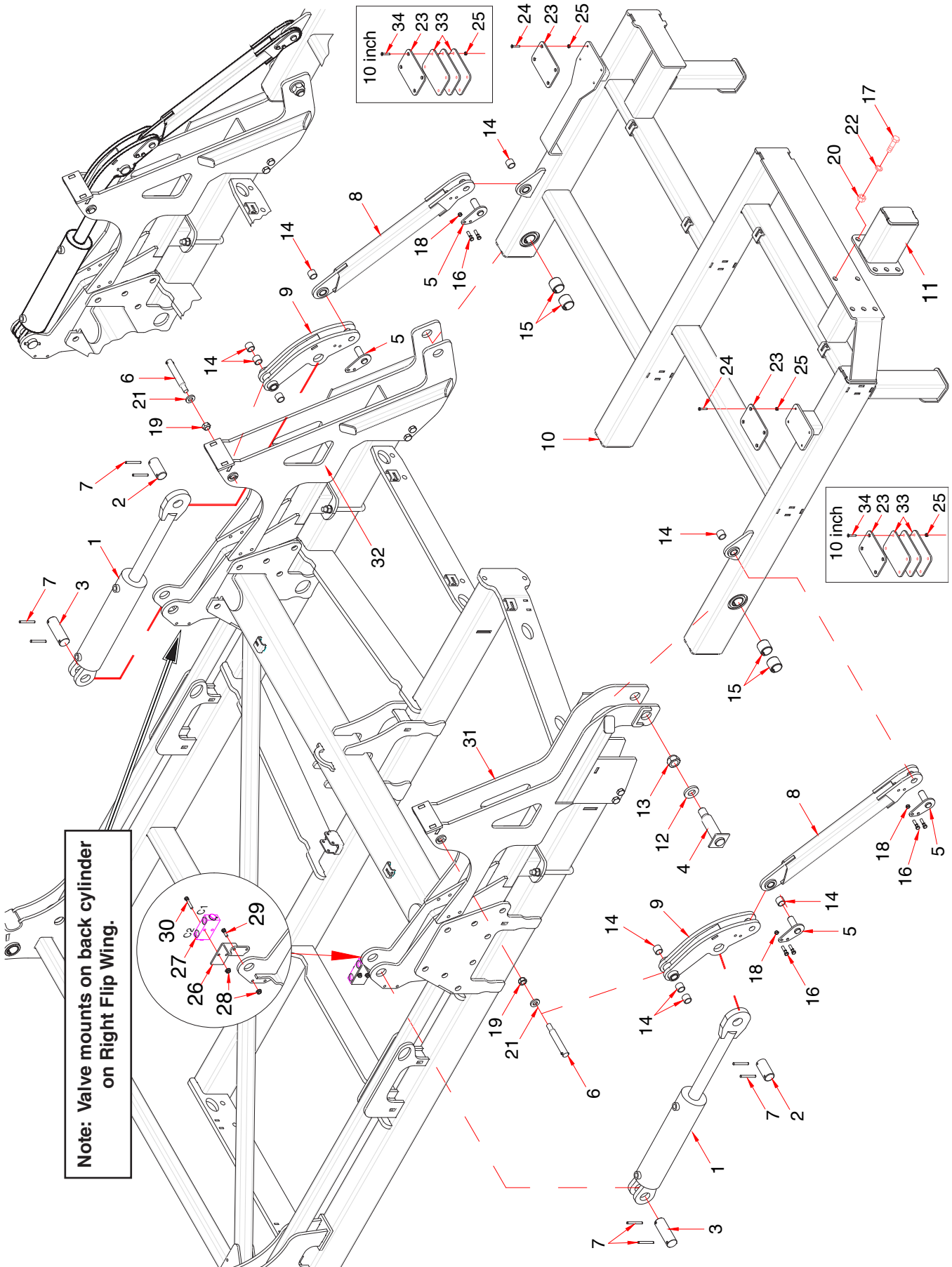
Frame - Wing 80 ft - 24m - Outer Wing



Frame - Wing - 80 ft - 24m - Outer Wing

Item	Part No.	Description	Qty
		Quantities given per Wing	
1	C25809	Decal - Grease 50 Hours	1
2	D12903	Hex Bolt - 1 x 7 Lg.....	16
3	C-705	Lockwasher - 1.....	16
4	W-520	Hex Nut - 1.....	16
5	C-695	Hex Bolt - 3/4 x 2 Lg.....	1
6	W-527	Lockwasher - 3/4.....	1
7	S64303	Cap - Castor Wing - 4 1/4 Dia	1
8	S-951	Bolt - 1/2 x 4 1/2 Lg.....	2
9	F-3405	Lock Nut - 1/2 Unitorque	2
10	S64305	Pin - 1 3/4 x 5 1/2 Lg.....	2
11	S26462	Washer - 1 1/4 ID x 2 1/2 OD x 3/8 Thick.....	2
12	S39780	Lock Nut - 1 1/4 Unitorque	2
13	S72080	Hub and Spindle Assembly	2
14	S68660	Tire and Rim Assembly - By-Directional	2
15	S72480	Wing Outer - Left.....	1
	S72485	Wing Outer - Right (Not Shown)	1
16	S64335	Front Depth Beam (Includes items 20 and 22).....	1
17	S66474	Rear Depth Beam - Left	1
	S66476	Rear Depth Beam - Right (Not Shown).....	1
18	S66295	Castor - Wing - Left	1
	S66297	Castor - Wing - Right (Not Shown).....	1
19	S64210	Wear Disc - 3 1/16 ID x 12 OD x 1/4 Thick.....	1
20	S64944	Bushing - 3.00 ID x 3.188 OD x 2 Lg	2
21	S64325	Bushing - Spring - 1.75 x 2.00 x 1.75 Lg Nominal Size.....	4
22	S-752	Grease Nipple	4
23	C25810	Decal - Grease 100 Hours.....	2
24	S72640	Mount Flipwing - Front - 12 inch spacing (Shown)	1
	S72650	Mount Flipwing - Front - 10 inch spacing.....	1
25	S72650	Mount Flipwing - Back.....	1
26	D-5558	Bolt - 3/4 x 6 Lg.....	4
27	W-527	Lockwasher - 3/4.....	4
28	W-518	Hex Nut - 3/4.....	4
29	S65153	Decal - Danger: Crushing Hazard.....	2
		Flip Wing	
30	S72655	Flip Wing - Left	1
	S72660	Flip Wing - Right (Not Shown).....	1
31	S72970	Pin - 1 3/4 x 5 UL 6 15/16 LG.....	2
11	S26462	Washer - 1 1/4 ID x 2 1/2 OD x 3/8 Thick.....	2
12	S39780	Lock Nut - 1 1/4 Unitorque	2
21	S64325	Bushing - Spring - 1.75 x 2.00 x 1.75 Lg Nominal Size.....	4

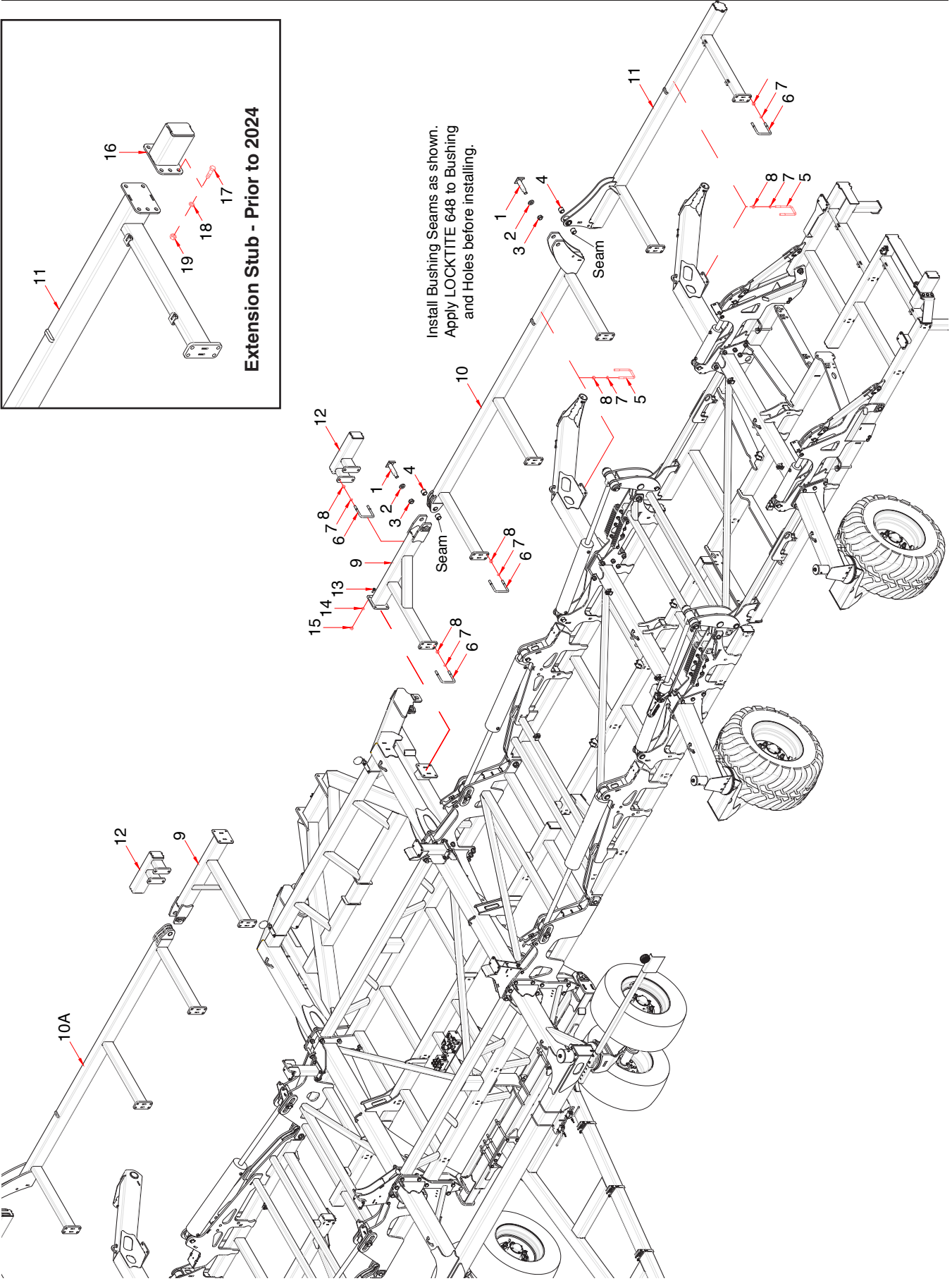
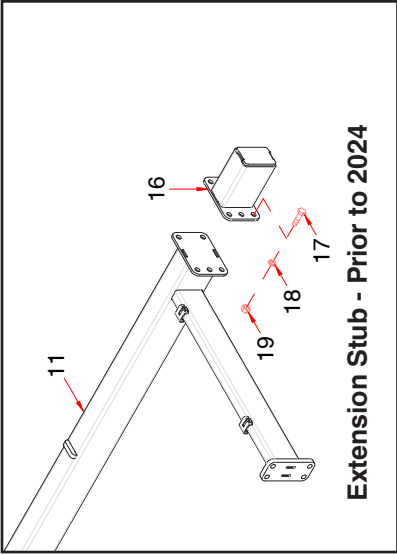
Frame - Wing 80 ft - 24m - Flip Wing



Frame - Wing - 80 ft - 24m - Flip Wing

Item	Part No.	Description	Qty
Quantities given per Wing			
1	C72344	Cylinder - 4 1/2 x 18	2
2	S72683	Pin - 1 3/4 x 2 9/16 UL	2
3	S72684	Pin - 1 3/4 x 4 3/16 UL	2
4	S72970	Pin - 1 3/4 x 5 UL (6 15/16 LG)	2
5	S72680	Pin - 1 x 2 9/16 UL	4
6	S69573	Pin - Chrome - 1 Dia x 5 1/16 UL	2
7	K-3832	Spiral Pin - 3/8 x 3 Lg	8
8	S72670	Wing Lift Link	2
9	S72675	Wing Lift Link	2
10	S72655	Flip Wing - Left	1
	S72660	Flip Wing - Right (Not Shown)	1
11	S72638	Extension Stub - 80 ft only (Not used on 24m)	1
12	S26462	Washer - 1 1/4 ID x 2 1/2 OD x 3/8 Thick	2
13	S39780	Lock Nut - 1 1/4 Unitorque	2
14	S72410	Bushing - 1 ID x 1 1/4 OD x 1 Lg Nominal size	10
15	S64325	Bushing - Spring - 1.75 x 2.00 x 1.75 Lg Nominal Size	4
16	W-477	Hex Bolt - 3/8 x 1 1/2 Lg	8
17	C-695	Hex Bolt - 3/4 x 2 Lg	5
18	M-3388	Lock Nut - 3/8	8
19	D-5275	Lock Nut - 3/4 Nylon Insert	2
20	W-518	Hex Nut - 3/4	5
21	W-476	Washer - 13/16 ID x 1.469 OD x .134 Thick	2
22	W-527	Lockwasher - 3/4	5
23	S64416	Wear Pad	2
24	C32741	Hex Socket Countersunk Screw - 1/4 x 1 Lg - 12 inch spacing	8
25	N15757	Lock Nut - 1/4 - 20 UNC	8
26	S72948	Valve Mount	1
27	K68627	Valve	1
28	D-5279	Locknut - 3/8 Flanged	2
29	W-187	Hex Bolt - 3/8 x 1 1/4 Lg	2
30	W-478	Hex Bolt - 3/8 x 2 Lg	2
31	S72640	Mount Flipwing - Front - 12 inch spacing (Shown)	1
	S72650	Mount Flipwing - Front - 10 inch spacing	1
32	S72650	Mount Flipwing - Back	1
33	S67474	Spacer Plate - 1/4 - 10 inch spacing	6
34	S67473	Countersunk Screw - 1/4 x 1 3/4 Lg - 10 inch spacing	8

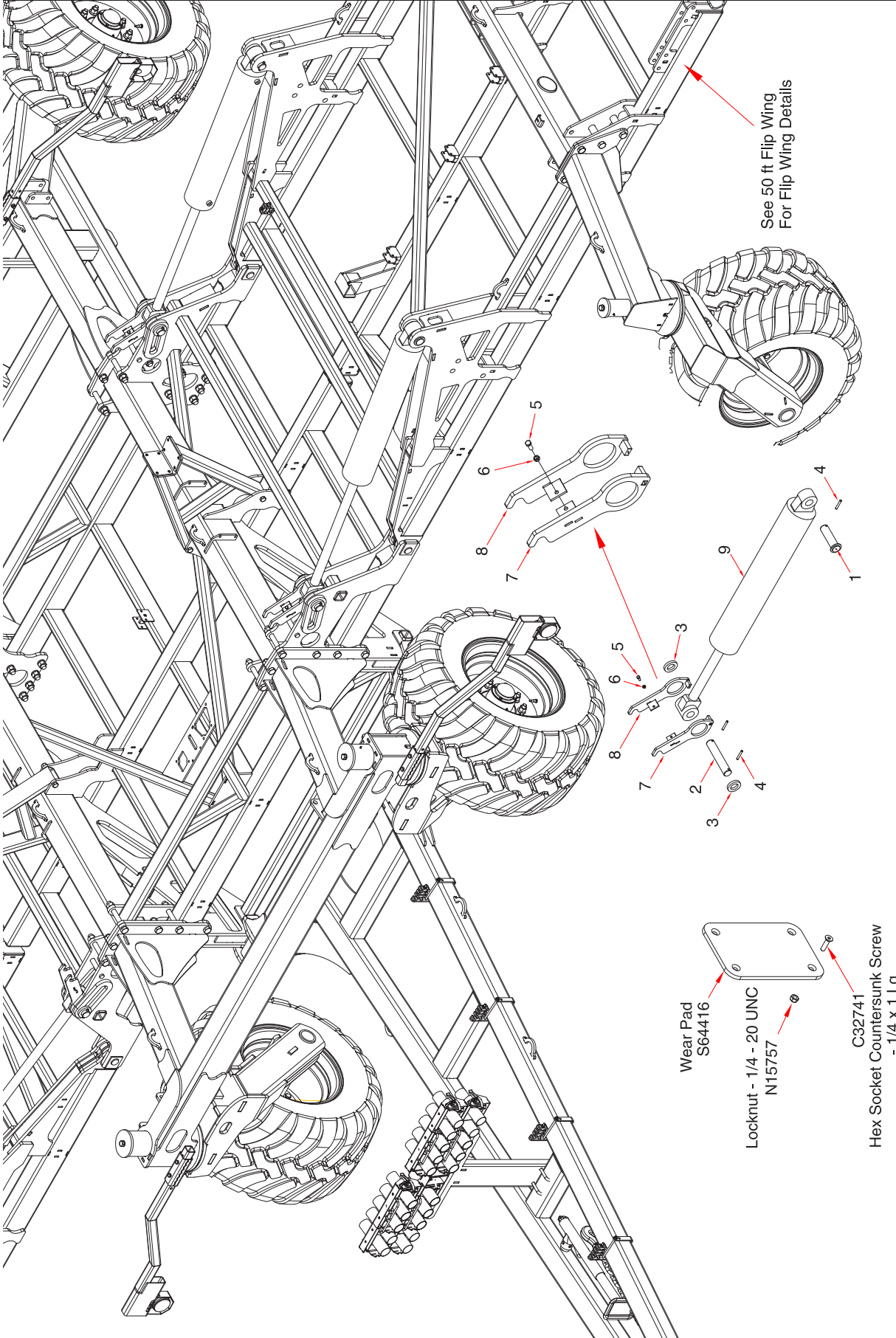
Frame - Wing 80 ft - 24m - 4th Row



80 ft - 24m - 4th Row

Item	Part No.	Description	Qty
1	S64305	Pin - 1 3/4 x 5 1/2 Lg.....	4
2	S26462	Washer - 1 1/4 ID x 2 1/2 OD x 3/8 Thick.....	4
3	S39780	Lock Nut - 1 1/4 Unitorque	4
4	S64325	Bushing - Spring - 1.75 x 2.00 x 1.75 Lg Nominal Size.....	8
5	C26955	U-Bolt - 3/4 x 4 x 8 UL.....	12
6	S64958	U-Bolt - 3/4 x 6 1/16 x 6 1/4 UL.....	24
7	W-527	Lockwasher - 3/4.....	62
8	W-518	Hex Nut - 3/4.....	62
9	S72470	Draft Beam - Main	2
10	S65778	Draft Beam - Inner Left.....	1
10A	S65780	Draft Beam - Inner Right	1
11	S72840	Draft Beam - Outer Left	1
11A	S72835	Draft Beam - Outer Right.....	1
12	S72842	Extension Stub - 4th Row - 10 inch spacing only	2
13	S-1189	Hex Bolt - 1/2 x 1 3/4 Lg.....	8
14	W-525	Lockwasher - 1/2.....	8
15	W-516	Hex Nut - 1/2.....	8
4th Row Kit - 80 ft (Includes all above items) Order through Whole Goods			
Extension Stub - Prior to 2024			
16	S72638	Extension Stub - Flipwing - 10 inch spacing only	2
17	C-695	Hex Bolt - 3/4 x 2 Lg.....	10
18	W-527	Lockwasher - 3/4.....	10
19	W-518	Hex Nut - 3/4.....	10

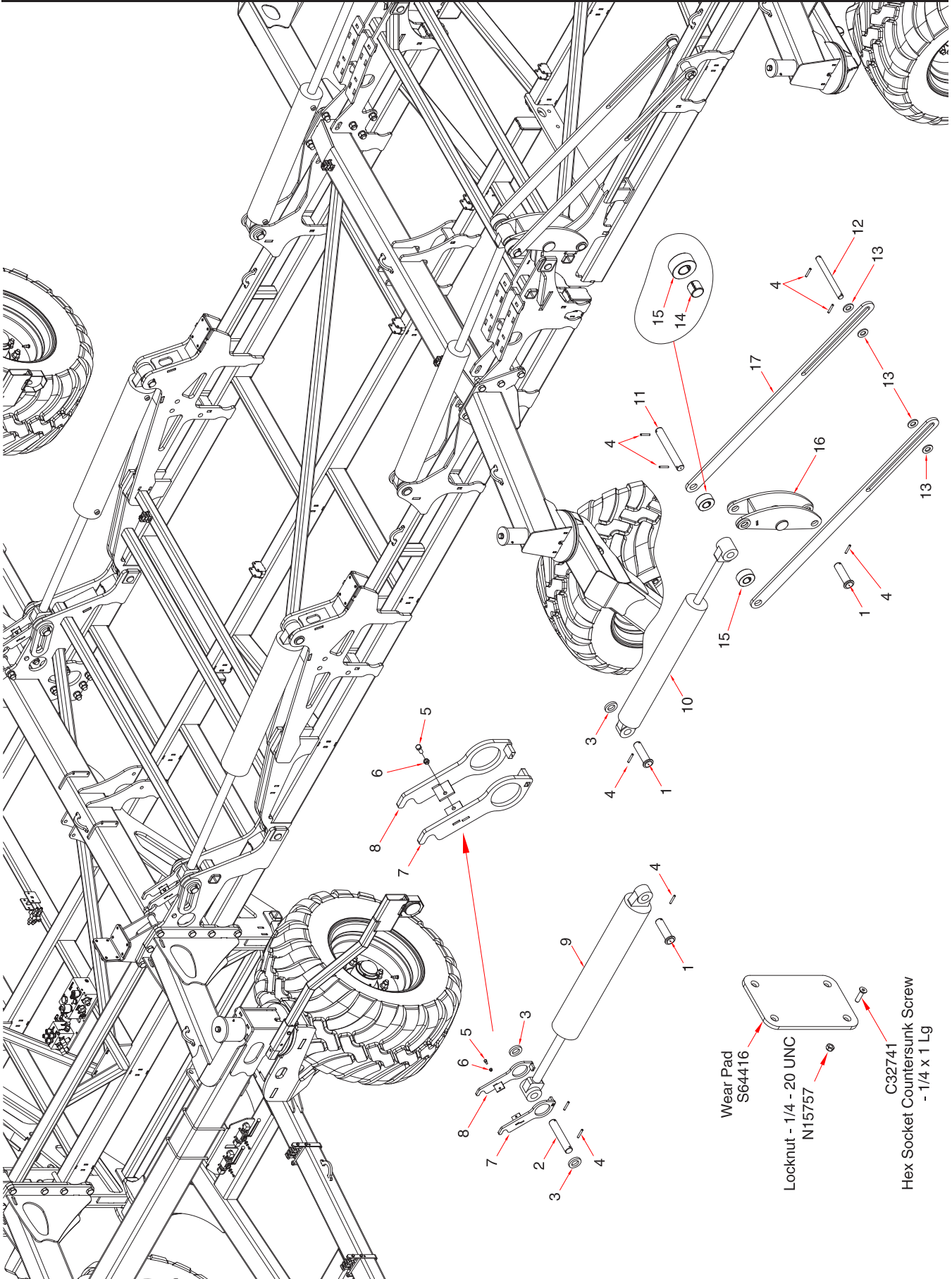
Wing Lift 40 ft and 50 ft - 12m and 15m



Wing Lift - 40 ft and 50 ft - 12m and 15m

Item	Part No.	Description	Qty
Quantities given per Wing			
1	S64912	Pin - 1 3/4 x 5 5/8 UL	2
2	S64316	Pin - 1 3/4 x 8 5/8 Hole Centers	2
3	S64327	Washer - 1.781 ID x 3 OD x 1/2 Thick	4
4	T-5245	Spiral Pin - 3/8 x 2 1/2 Lg.....	6
5	W-475	Hex Bolt - 3/8 x 1 Lg.....	2
6	M-3388	Locknut - 3/8 Unitorque.....	2
7	S64905	Wing Cylinder Lock - Left.....	2
8	S64910	Wing Cylinder Lock - Right.....	2
9	C64930	Cylinder - 5 x 36.....	2
	C64920	Cylinder - 6 x 36 - Prior to November 2018	

Wing Lift 60 ft and 70 ft - 18m and 21m - Prior to 2022



Wing Lift - 60 ft and 70 ft - 18m and 21m - Prior to 2022

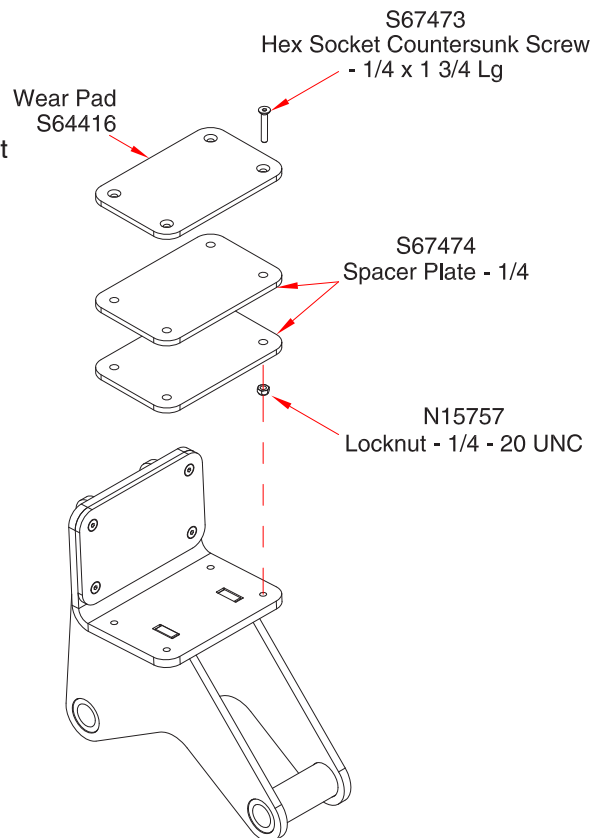
Item	Part No.	Description	Qty
Quantities given per Wing			
1	S64912	Pin - 1 3/4 x 5 5/8 UL	4
2	S64316	Pin - 1 3/4 x 8 5/8 Hole Centers	2
3	S64327	Washer - 1.781 ID x 3 OD x 1/2 Thick	6
4	T-5245	Spiral Pin - 3/8 x 2 1/2 Lg.....	18
5	W-475	Hex Bolt - 3/8 x 1 Lg.....	2
6	M-3388	Locknut - 3/8 Unitorque.....	2
7	S64905	Wing Cylinder Lock - Left.....	2
8	S64910	Wing Cylinder Lock - Right.....	2
9	C64920	Cylinder - 6 x 36.....	2
10	C64930	Cylinder - 5 x 36.....	2
11	S64918	Pin - 1 3/4 x 11 5/8 Hole Centers	2
12	S64314	Pin - 1 1/4 x 12 1/4 Hole Centers	2
13	N13962	Washer - 1 9/32 ID x 2 1/2 OD x 1/4 Thick.....	8
14	S64325	Bushing - Spring - 1.75 x 2.00 x 1.75 Lg Nominal Size.....	4
15	S64909	Roller - 1.746 ID x 4 OD x 1 3/4 Wide (Includes Item 14)	4
16	S64914	Link - Outer Wing (5/8 Side Plates).....	2
17	S64959	Strap - Lift - 55 Lg - 60 ft	4
	S64911	Strap - Lift - 65 Lg - 70 ft	4
	S67475	Kit - Wing Rest Spacer Plate (Includes 2 of S67474, and 4 of S67473 and N15757)	

Wing Rest Spacer Plate Kit

Four S67475 Spacer Plate Kits are provided to adjust wear pad height to ensure outer wings rests on pad.

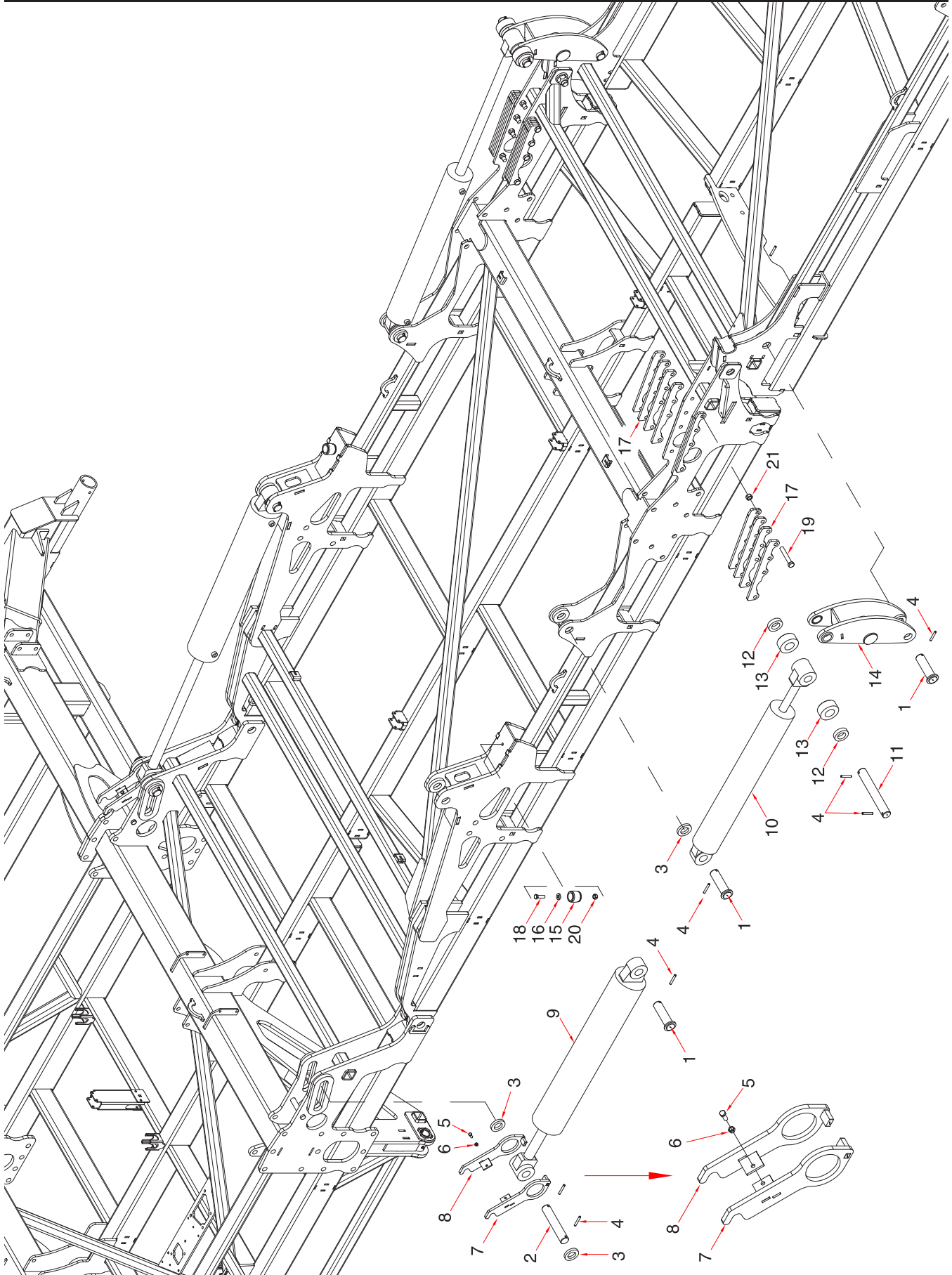
Kit S67475 includes:

- 4 of N15757 Locknut - 1/4 - 20 UNC
- 4 of S67473 Countersunk Screw - 1/4 x 1 3/4 Lg
- 2 of S67474 Spacer Plate - 1/4



Wing Lift

60 ft and 70 ft - 18m and 21m - 2022 to Present



Wing Lift - 60 ft and 70 ft - 18m and 21m - 2022 to Present

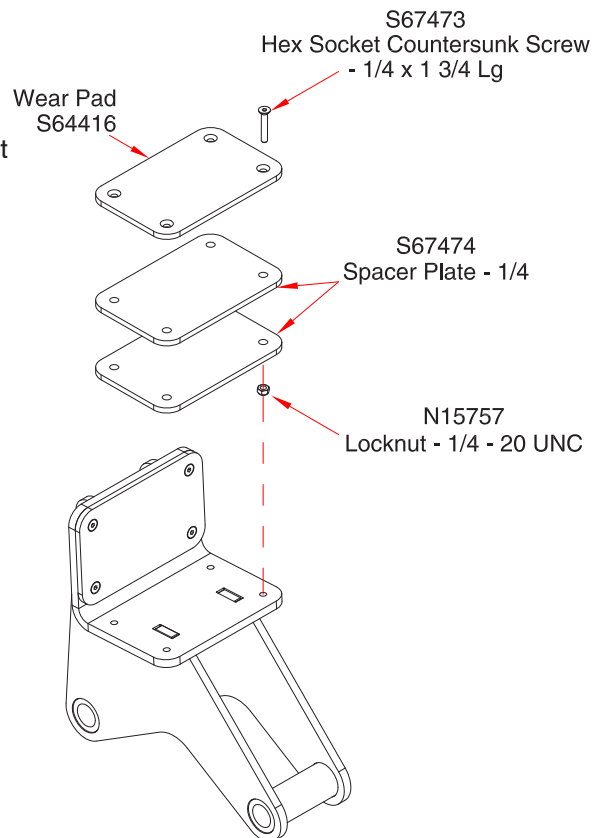
Item	Part No.	Description	Qty
Quantities given per Wing			
1	S64912	Pin - 1 3/4 x 5 5/8 UL	4
2	S64316	Pin - 1 3/4 x 8 5/8 Hole Centers	2
3	S64327	Washer - 1.781 ID x 3 OD x 1/2 Thick	6
4	T-5245	Spiral Pin - 3/8 x 2 1/2 Lg.....	14
5	W-475	Hex Bolt - 3/8 x 1 Lg.....	2
6	M-3388	Locknut - 3/8 Unitorque.....	2
7	S64905	Wing Cylinder Lock - Left.....	2
8	S64910	Wing Cylinder Lock - Right.....	2
9	C64920	Cylinder - 6 x 36.....	2
10	C64930	Cylinder - 5 x 36.....	2
11	S64918	Pin - 1 3/4 x 11 5/8 Hole Centers	2
12	S69118	Washer - 1 25/32 ID x 3 OD x 3/4 Thick.....	4
13	S69047	Roller - Nylon - 1.758 ID x 4 OD x 1 3/4 Wide	4
14	S68999	Link - Outer Wing (3/4 Side Plates).....	2
15	11678	Bump Stop	2
16	S-1925	Washer - 17/32 ID x 1 OD x 13 GA	2
17	S71923	Support - Wing Lift Roller	16
18	W-486	Bolt - 1/2 x 1 1/2 Lg.....	2
19	S-1175	Bolt - 3/4 x 4 1/2 Lg.....	16
20	F-3405	Locknut - 1/2 Unitorque.....	2
21	D-5273	Locknut - 3/4 Unitorque.....	16
	S67475	Kit - Wing Rest Spacer Plate (Includes 2 of S67474, and 4 of S67473 and N15757)	

Wing Rest Spacer Plate Kit

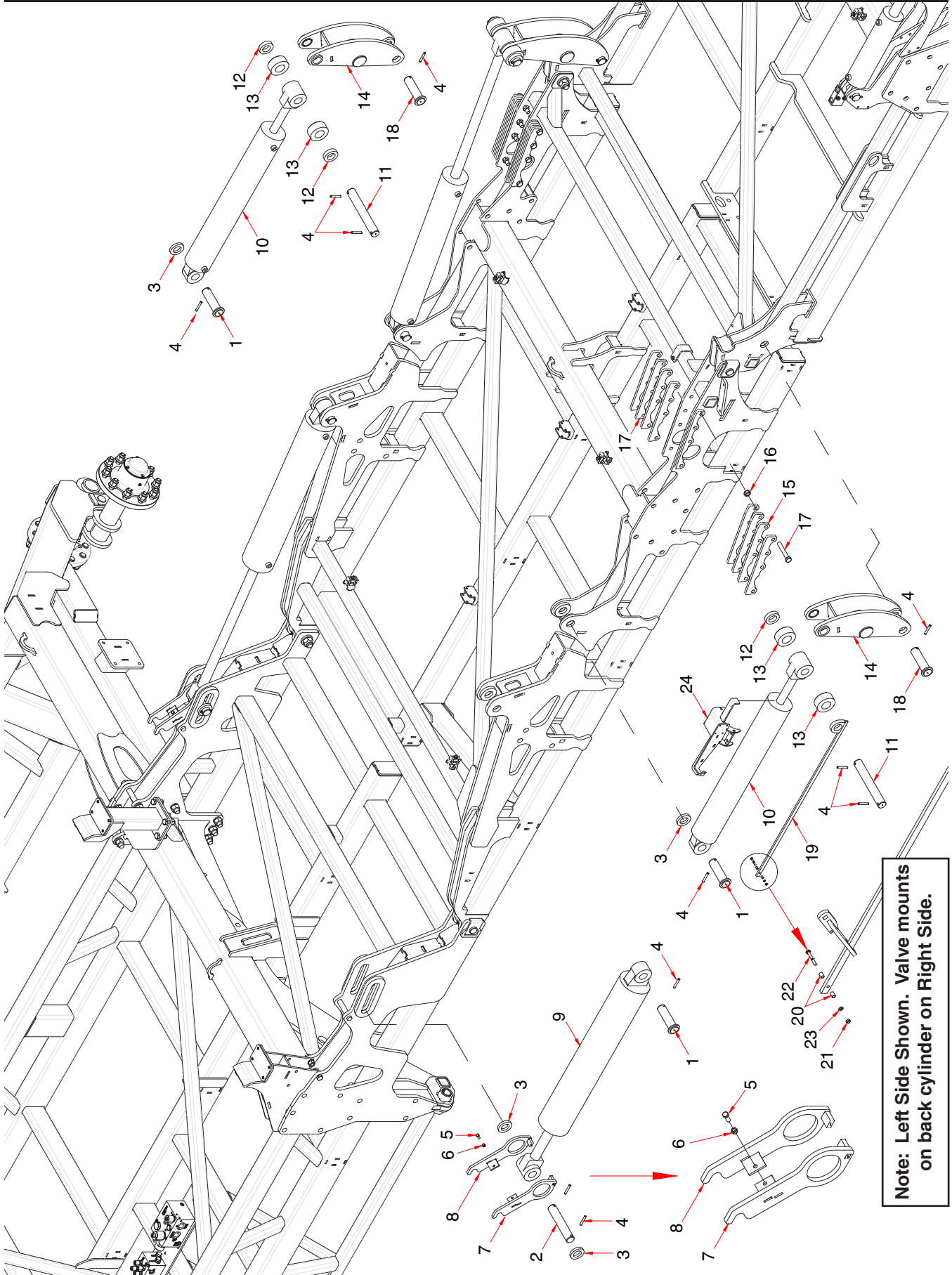
Four S67475 Spacer Plate Kits are provided to adjust wear pad height to ensure outer wings rests on pad.

Kit S67475 includes:

- 4 of N15757 Locknut - 1/4 - 20 UNC
- 4 of S67473 Countersunk Screw - 1/4 x 1 3/4 Lg
- 2 of S67474 Spacer Plate - 1/4



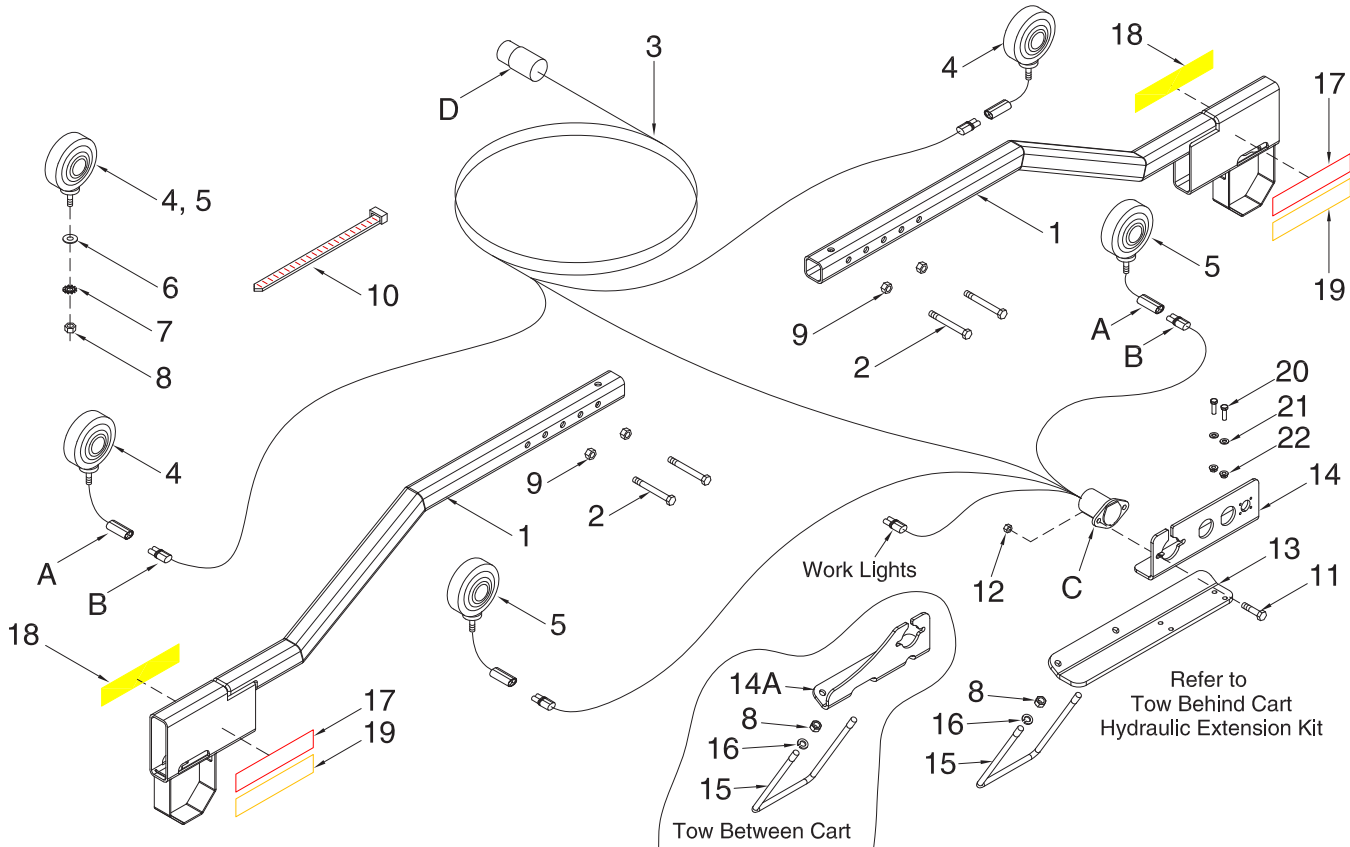
Wing Lift 80 ft - 24m



Wing Lift - 80 ft - 24m

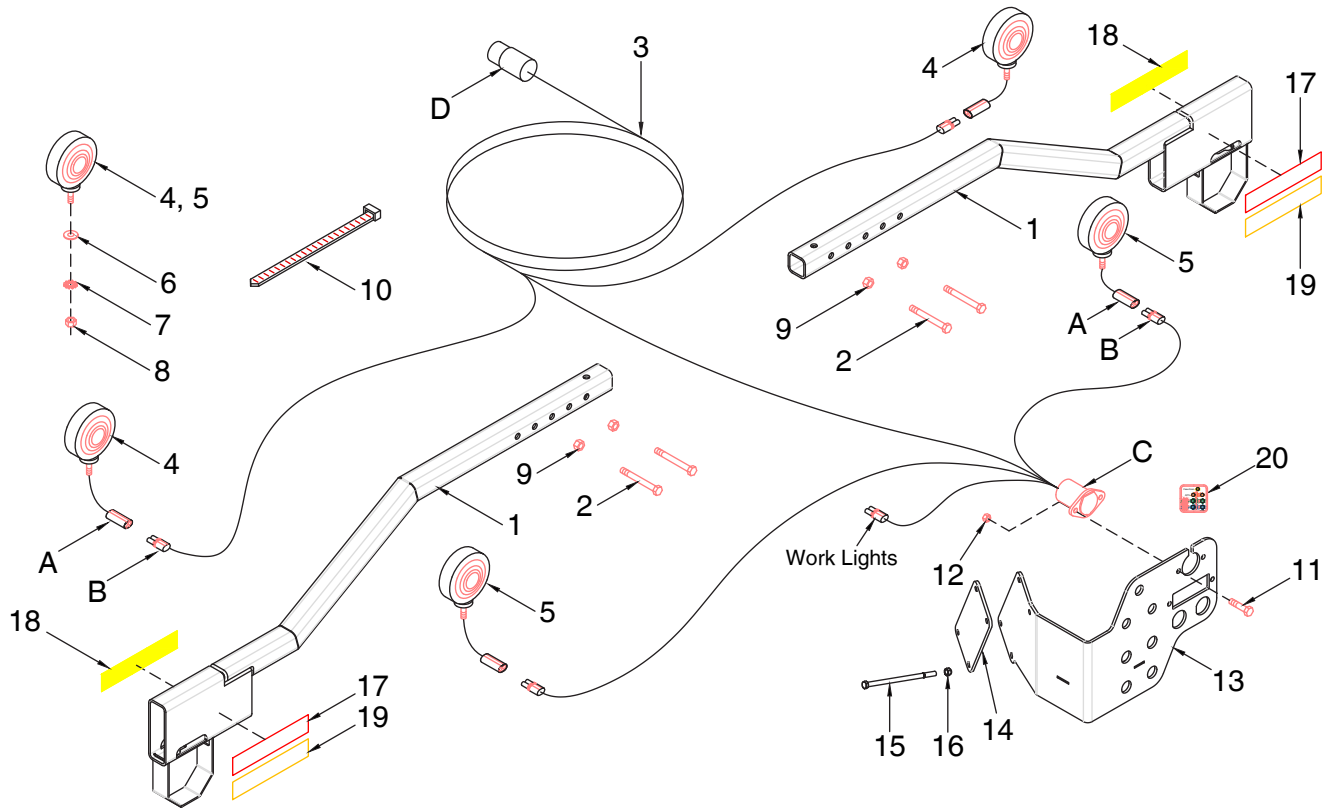
Item	Part No.	Description	Qty
		Quantities given per Wing	
1	S64912	Pin - 1 3/4 x 5 5/8 UL	4
2	S64316	Pin - 1 3/4 x 8 5/8 Hole Centers	2
3	S64327	Washer - 1.781 ID x 3 OD x 1/2 Thick	6
4	T-5245	Spiral Pin - 3/8 x 2 1/2 Lg.....	14
5	W-475	Hex Bolt - 3/8 x 1 Lg.....	2
6	M-3388	Locknut - 3/8 Unitorque.....	2
7	S64905	Wing Cylinder Lock - Left.....	2
8	S64910	Wing Cylinder Lock - Right.....	2
9	C64920	Cylinder - 6 x 36.....	2
10	C64930	Cylinder - 5 x 36.....	2
11	S64918	Pin - 1 3/4 x 11 5/8 Hole Centers	2
12	S69118	Washer - 1 25/32 ID x 3 OD x 3/4 Thick.....	4
13	S69047	Roller - Nylon - 1.758 ID x 4 OD x 1 3/4 Wide	4
14	S72772	Link - Outer Wing (3/4 Side Plates).....	2
15	S71923	Support - Wing Lift Roller	16
16	D-5273	Locknut - 3/4 Unitorque.....	16
17	S-1175	Bolt - 3/4 x 4 1/2 Lg.....	16
18	S73108	Pin - 1 3/4 x 6 1/8 UL	2
19	S72735	Actuator Rod - 44 7/8 Lg .. (42 3/8 C-C Distance)	1
20	S72946	Spacer - 0.277 ID x 3/8 OD x 1/2 Lg.....	2
21	N22778	Lock Nut - 1/4 Nylon Insert	1
22	C-1471	Hex Bolt - 1/4 x 1 3/4 Lg.....	1
23	W-521	Lockwasher - 1/4.....	1
24	*****	Valve Assembly - See Hydraulic Section for details	1

Lighting and Marking 40 ft to 70 ft - 12m to 21m on 9 Series Cart



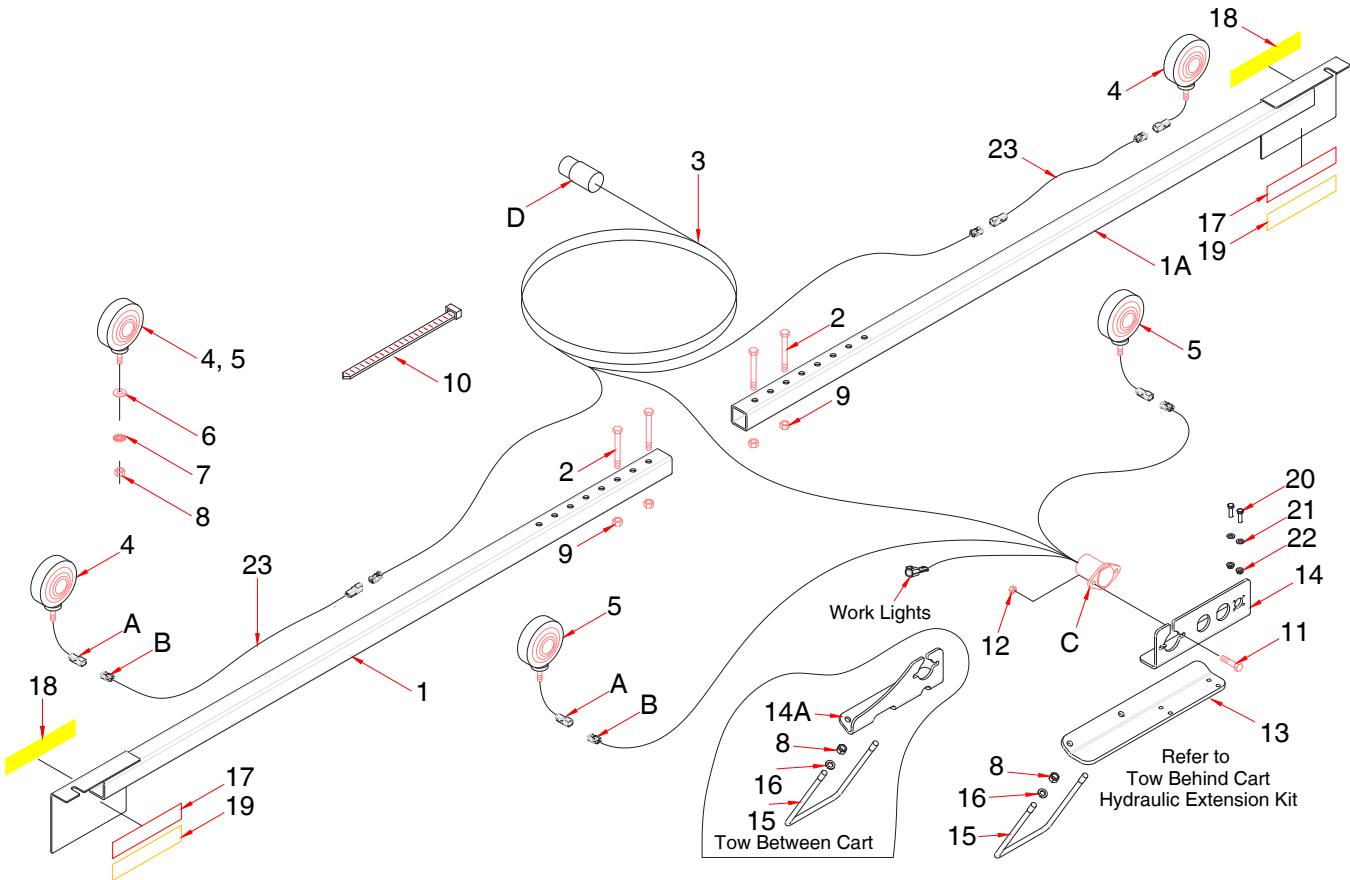
Item	Part No.	Description	Qty
1	S64900	Tube - Mounting - Main - Lighting.....	4
2	D-5519	Hex Bolt - 1/2 x 3 1/4.....	8
3	S65799	Wiring Harness - Safety Lights	1
4	N50365	Light LED - Amber.....	2
5	N50366	Light LED - Red	2
6	W-539	Flatwasher - 1/2	4
7	D-5280	Starwasher - 1/2.....	4
8	W-516	Hex Nut - 1/2.....	4
9	F-3405	Locknut - 1/2 Unitorque.....	8
10	D-4951	Nylon Tie Strap - 7 3/8 lg.....	20
	S13336	Nylon Tie Strap - 28 1/4 lg.....	10
11	N29048	Hex Head Bolt - 5/16 x 1 lg	2
12	D-5278	Serrated Nut - 5/16.....	2
13	S65673	Bracket - Mounting - Tow Behind.....	1
14	N64747	Bracket - Electrical Connector - Tow Behind.....	1
14A	N67500	Bracket - Electrical Connector - Tow Between.....	1
15	H25628	U-Bolt - 1/2 x 6 1/16 x 9 3/8 UL - 40 ft - 70 ft.....	1
16	W-525	Lockwasher - 1/2.....	2
17	N34476	Reflector - Red	2
18	N34477	Reflector - Amber	2
19	N34478	Reflector - Orange.....	2
20	W-472	Hex Bolt - 5/16 x 1 1/4 Lg - Tow Behind.....	2
21	D-5488	Washer - 11/32 ID x 11/16 OD x 16 GA - Tow Behind.....	6
22	D-5278	Lock Nut - 5/16 Flange - Tow Behind.....	2

Lighting and Marking 40 ft to 70 ft - 12m to 21m on 10 Series Cart



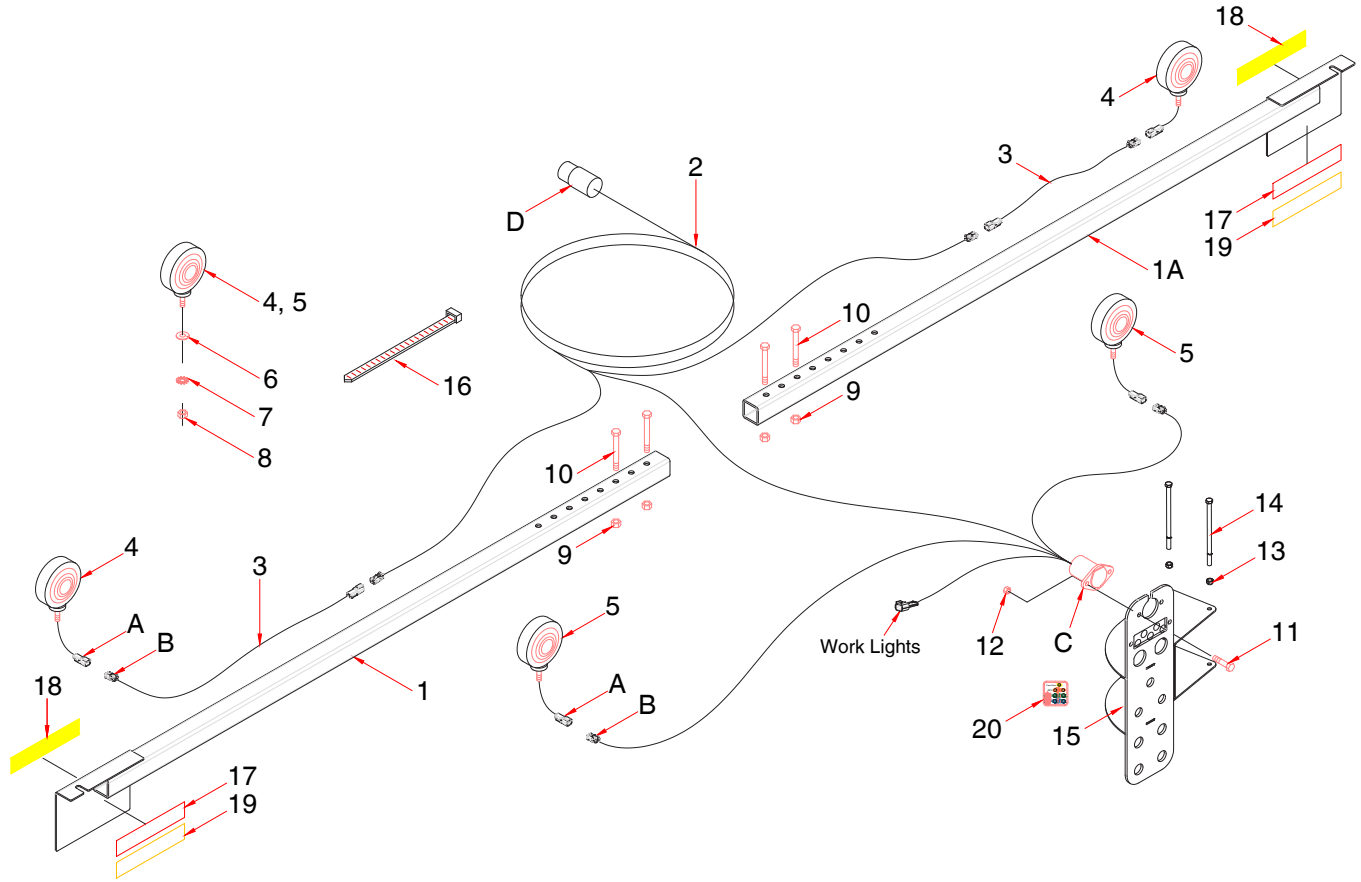
Item	Part No.	Description	Qty
1	S64900	Tube - Mounting - Main - Lighting.....	4
2	D-5519	Hex Bolt - 1/2 x 3 1/4.....	8
3	S65799	Wiring Harness - Safety Lights	1
4	N50365	Light LED - Amber.....	2
5	N50366	Light LED - Red	2
6	W-539	Flatwasher - 1/2	4
7	D-5280	Starwasher - 1/2.....	4
8	W-516	Hex Nut - 1/2.....	4
9	F-3405	Locknut - 1/2 Unitorque.....	8
10	D-4951	Nylon Tie Strap - 7 3/8 lg.....	20
	S13336	Nylon Tie Strap - 28 1/4 lg.....	10
11	N29048	Hex Head Bolt - 5/16 x 1 lg	2
12	D-5278	Serrated Nut - 5/16.....	2
13	S73724	Bracket - Bulk Head - Quantum 40 ft to 70 ft.....	1
14	S73732	Clamp Plate - Bulk Head - Quantum 40 ft to 70 ft	1
15	N19678	Hex Bolt - 3/8 x 7 Lg.....	4
16	M-3388	Locknut - 3/8	4
17	N34476	Reflector - Red.....	2
18	N34477	Reflector - Amber	2
19	N34478	Reflector - Orange.....	2
20	N74998	Decal - Hose Identification - Bulkhead (Locate on Bulkhead).....	1

Lighting and Marking 80 ft - 24m on 9 Series Cart



Item	Part No.	Description	Qty
1	S72700	Light Bracket - Left	1
1A	S73110	Light Bracket - Right.....	1
2	D-5519	Hex Bolt - 1/2 x 3 1/4.....	8
3	S65799	Wiring Harness - Safety Lights	1
4	N50365	Light LED - Amber.....	2
5	N50366	Light LED - Red	2
6	W-539	Flatwasher - 1/2	4
7	D-5280	Starwasher - 1/2.....	4
8	W-516	Hex Nut - 1/2.....	4
9	F-3405	Locknut - 1/2 Unitorque.....	8
10	D-4951	Nylon Tie Strap - 7 3/8 lg.....	20
	S13336	Nylon Tie Strap - 28 1/4 lg.....	10
11	N29048	Hex Head Bolt - 5/16 x 1 lg	2
12	D-5278	Serrated Nut - 5/16.....	2
13	S65673	Bracket - Mounting - Tow Behind.....	1
14	N64747	Bracket - Electrical Connector - Tow Behind.....	1
14A	N67500	Bracket - Electrical Connector - Tow Between.....	1
15	S73828	U-Bolt - 1/2 x 6 1/16 x 7 3/8 UL - 80 ft.....	1
16	W-525	Lockwasher - 1/2.....	2
17	N34476	Reflector - Red	2
18	N34477	Reflector - Amber	2
19	N34478	Reflector - Orange.....	2
20	W-472	Hex Bolt - 5/16 x 1 1/4 Lg - Tow Behind.....	2
21	D-5488	Washer - 11/32 ID x 11/16 OD x 16 GA - Tow Behind.....	6
22	D-5278	Lock Nut - 5/16 Flange - Tow Behind.....	2
23	C31439	Wiring Extension - 2 Pin - 10 ft	2

Lighting and Marking 80 ft - 24m on 10 Series Cart



Item	Part No.	Description	Qty
1	S72700	Light Bracket - Left	1
1A	S73110	Light Bracket - Right.....	1
2	S65799	Wiring Harness - Safety Lights	1
3	C31439	Wiring Extension - 2 Pin - 10 ft	2
4	N50365	Light LED - Amber.....	2
5	N50366	Light LED - Red	2
6	W-539	Flatwasher - 1/2	4
7	D-5280	Starwasher - 1/2.....	4
8	W-516	Hex Nut - 1/2	4
9	F-3405	Locknut - 1/2 Unitorque.....	8
10	D-5519	Hex Bolt - 1/2 x 3 1/4.....	8
11	N29048	Hex Head Bolt - 5/16 x 1 lg	2
12	D-5278	Serrated Nut - 5/16.....	2
13	M-3388	Locknut - 3/8 Nylon Insert.....	2
14	N19678	Hex Head Bolt - 3/8 x 7 Lg.....	2
15	S69855	Bracket - Bulk Head - Quantum 80 ft Only	1
16	D-4951	Nylon Tie Strap - 7 3/8 lg.....	20
	S13336	Nylon Tie Strap - 28 1/4 lg.....	10
17	N34476	Reflector - Red.....	2
18	N34477	Reflector - Amber	2
19	N34478	Reflector - Orange.....	2
20	N74998	Decal - Hose Identification - Bulkhead (Locate on Bulkhead).....	1

Section 2: Wheels

Section Contents

Wheel Assembly	2-2
80 ft Wheel Assembly - Main Frame	2-3
Hub and Spindle Assembly - S64970	2-4
Hub and Spindle Assembly - S72080	2-5
Hub and Spindle Assembly - N70874	2-6

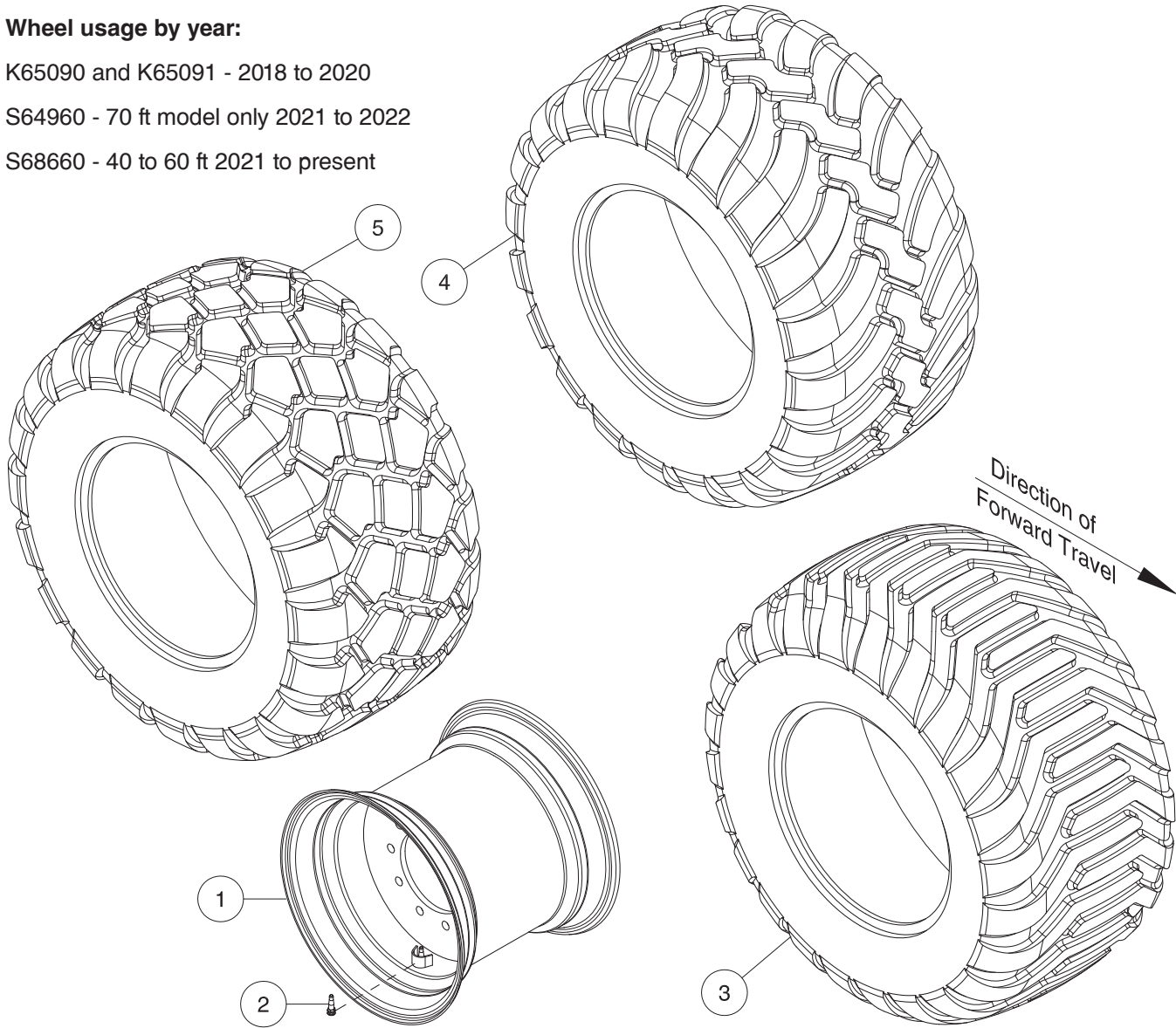
Wheel Assembly

Wheel usage by year:

K65090 and K65091 - 2018 to 2020

S64960 - 70 ft model only 2021 to 2022

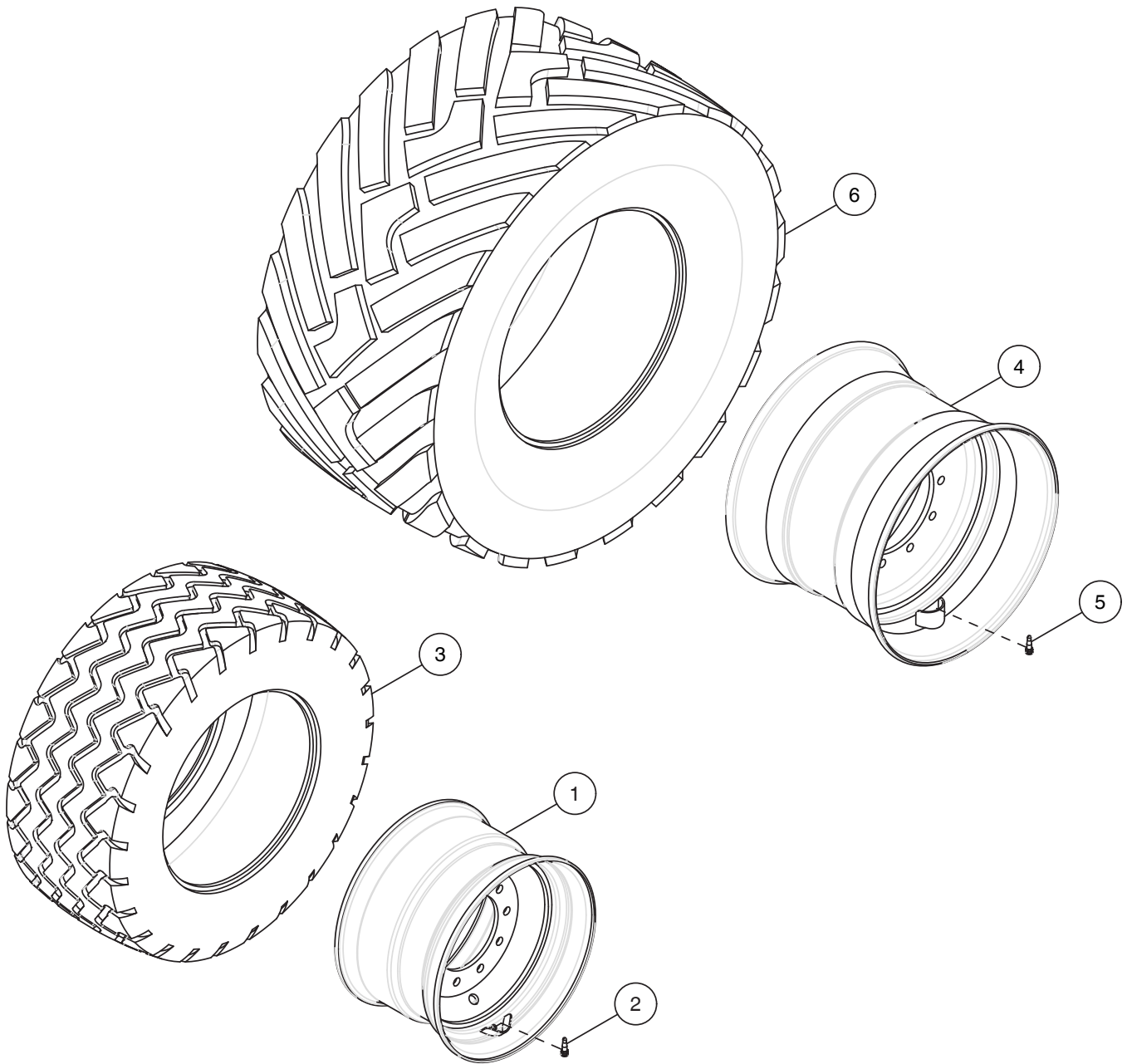
S68660 - 40 to 60 ft 2021 to present



Note: Left Tire and Rim Assembly Shown use on right side of machine

Item	Part No.	Description	Qty
1	S64947	Rim - 20 x 22.5 - 10 Bolt	1
2	N13968	Valve Stem - TR618A	1
3	K56777	Tire - 600/5022.5 - Bias Ply (TVS EUROGRIP)	1
4	S64949	Tire - 600/50R22.5 - By-Directional (ALLIANCE 380)	1
5	S68655	Tire - 600/50R22.5 - By-Directional (MAXAM FLOTXTRA - HD FLOTATION)	1
	K65090	Tire Rim Assembly- Left (Shown above)(Includes items 1, 2 and 3)use on right side of machine	
	K65091	Tire Rim Assembly- Right (Not Shown) (Includes items 1, 2 and 3)use on right side of machine	
	S64960	Tire and Rim Assembly - By-Directional (Includes items 1, 2 and 4)	
	S68660	Tire and Rim Assembly - By-Directional (Includes items 1, 2 and 5)	

80 ft Wheel Assembly - Main Frame

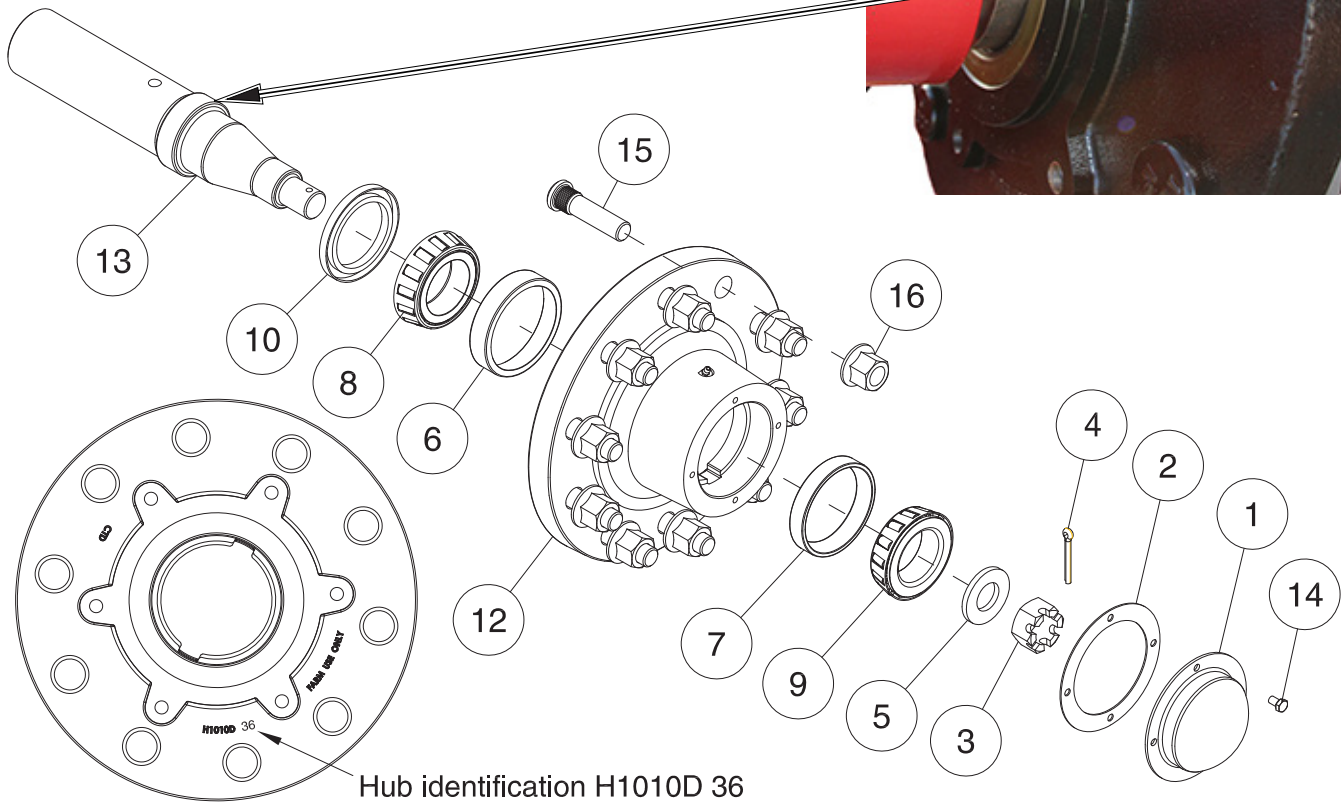
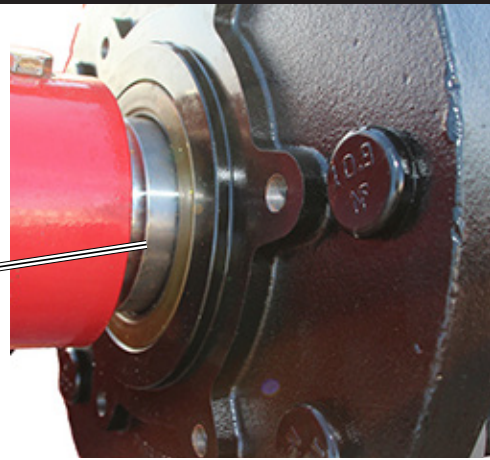


Item	Part No.	Description	Qty
Front Tire Assembly			
1	S72827	Rim - 14 x 22.5 - 10 Bolt.....	1
2	N13968	Valve Stem - TR618A	1
3	S72826	Tire - Alliance 381 - 445/50R22.5 VF	1
	S72825	Tire and Rim Assembly (Includes items 1 to 3)	
Rear Tire Assembly - 2024 to Present			
4	S73367	Rim - 20 x 26.5 - 10 Bolt	1
5	N13968	Valve Stem - TR618A	1
6	S73368	Tire - Alliance 885 - 650/55R26.5 - Directional Tread	1
	S73369	Tire and Rim Assembly - Alliance 885 - 650/55R26.5 - Right (Includes items 4 to 6)	1
	S73371	Tire and Rim Assembly - Alliance 885 - 650/55R26.5 - Left (Includes items 4 to 6)	1

Hub and Spindle Assembly - S64970

**Original Hub and Spindle with 3.375 diameter raised seal area.
Supplied on units prior to Serial Numbers:**

- 40 Quantum serial # QT40210486
- 50 Quantum serial # QT50210561
- 60 Quantum serial # QT60210745
- 70 Quantum serial # QT70210794



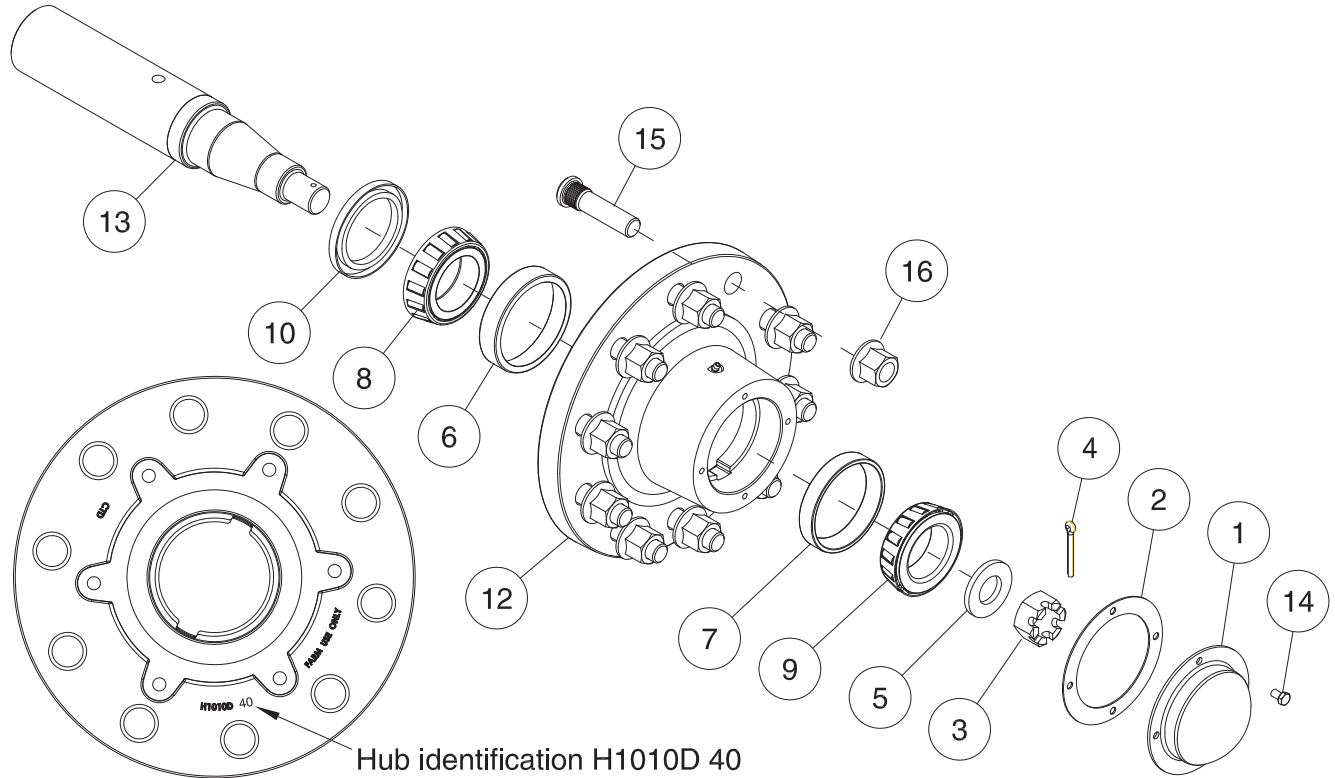
Item	Part No.	Description	Qty
1	S65333	Dust Cap - DC-27Z	1
2	N13959	Gasket.....	1
3	N19484	Hex Slotted Nut - 1 1/4 - 12 UNF	1
4	D-5238	Cotter Pin - 3/16 x 1 3/4 Lg	1
5	N13962	Flatwasher - 1.281 ID x 2 1/2 OD x 1/4 Thick.....	1
6	S65334	Bearing Cup - Inner - TRB13523.....	1
7	S65336	Bearing Cup - Outer - TRB10053	1
8	S65337	Bearing Cone - Inner - TRB16687.....	1
9	S65339	Bearing Cone - Outer - TRB03812.....	1
10	S65332	Dust Seal - SE-67 - 3.375 ID x 4.631 OD x 0.438 WIDE	1
12	S64999	Hub - 10 Bolt - 15,000 lb (Includes Items 6, 7 and 15)	1
	S-752	Grease Nipple (Not Shown)	1
13	S64998	Spindle - 3 Dia	1
14	D-5247	Hex Bolt - 5/16 x 1/2 Lg.....	4
15	S65335	Press-In Wheel Stud - M22 x 1.5 x 92mm - Grade 10.9	10
16	N55218	Flange Wheel Nut - M22 x 1.5 - Grade 10.9	10
	S64970	Hub and Spindle Assembly	

Hub and Spindle Assembly - S72080

New Hub and Spindle with 3 diameter seal area.

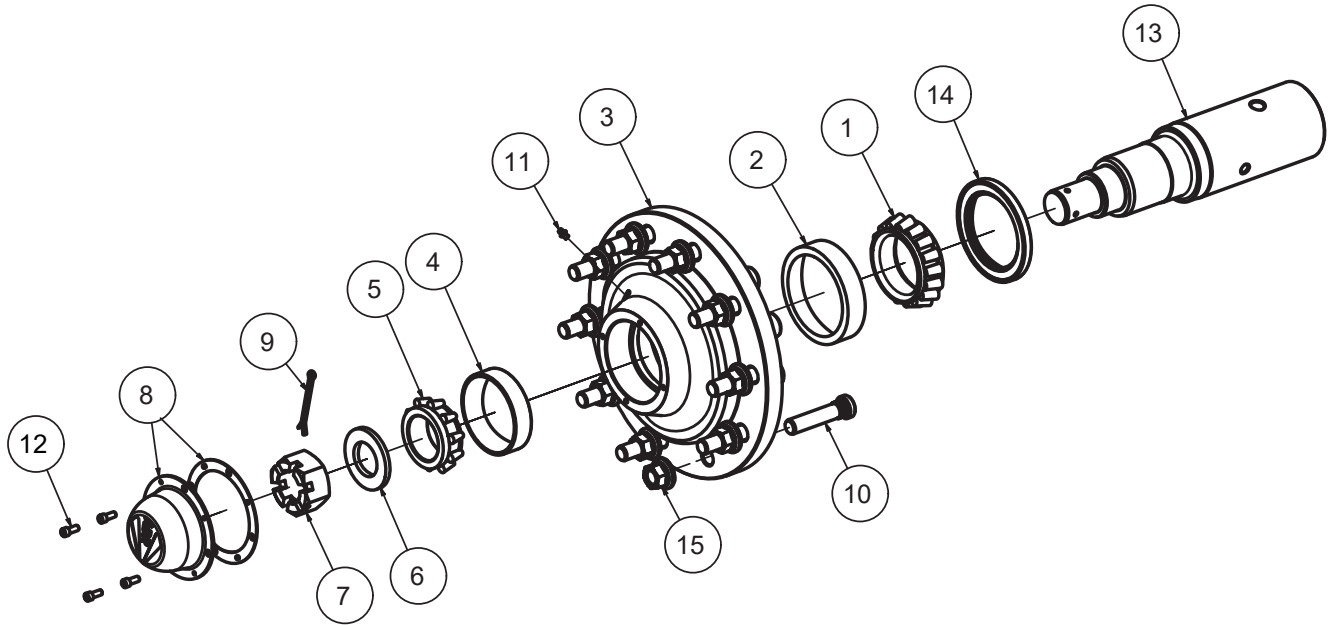
Supplied on units starting at Serial Numbers:

- 40 Quantum serial # QT40210486
- 50 Quantum serial # QT50210561
- 60 Quantum serial # QT60210745
- 70 Quantum serial # QT70210794
- 80 Quantum - ALL



Item	Part No.	Description	Qty
1	S65333	Dust Cap - DC-27Z	1
2	N13959	Gasket - SE-49	1
3	N19484	Hex Slotted Nut - 1 1/4 - 12 UNF	1
4	D-5238	Cotter Pin - 3/16 x 1 3/4 Lg	1
5	N13962	Flatwasher - 1.281 ID x 2 1/2 OD x 1/4 Thick.....	1
6	S72082	Bearing Cup - Inner - TRB32416.....	1
7	S65336	Bearing Cup - Outer - TRB10053	1
8	S72084	Bearing Cone - Inner - TRB07629.....	1
9	S65339	Bearing Cone - Outer - TRB03812.....	1
10	N13956	Dust Seal - SE-48	1
12	S72081	Hub - 10 Bolt - 15,000 lb (Includes Items 6, 7 and 15).....	1
	S-752	Grease Nipple (Not Shown)	1
13	S72083	Spindle - 3 Dia	1
14	D-5247	Hex Bolt - 5/16 x 1/2 Lg.....	4
15	S65335	Press-In Wheel Stud - M22 x 1.5 x 92mm - Grade 10.9	10
16	N55218	Flange Wheel Nut - M22 x 1.5 - Grade 10.9	10
	S72080	Hub and Spindle Assembly	

Hub and Spindle Assembly - N70874



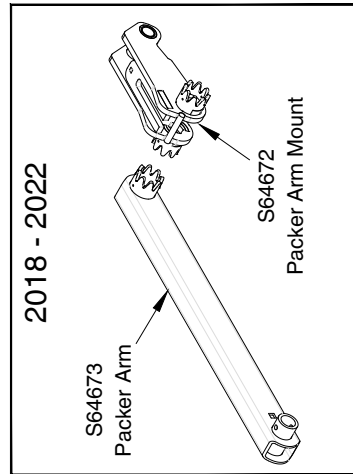
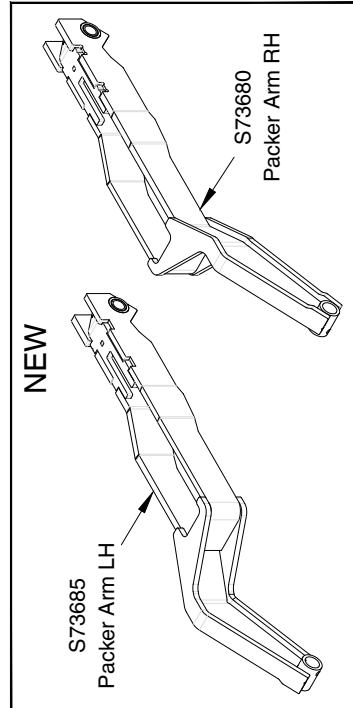
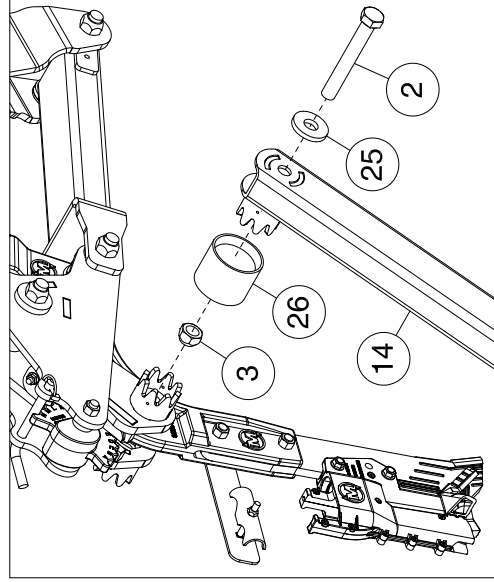
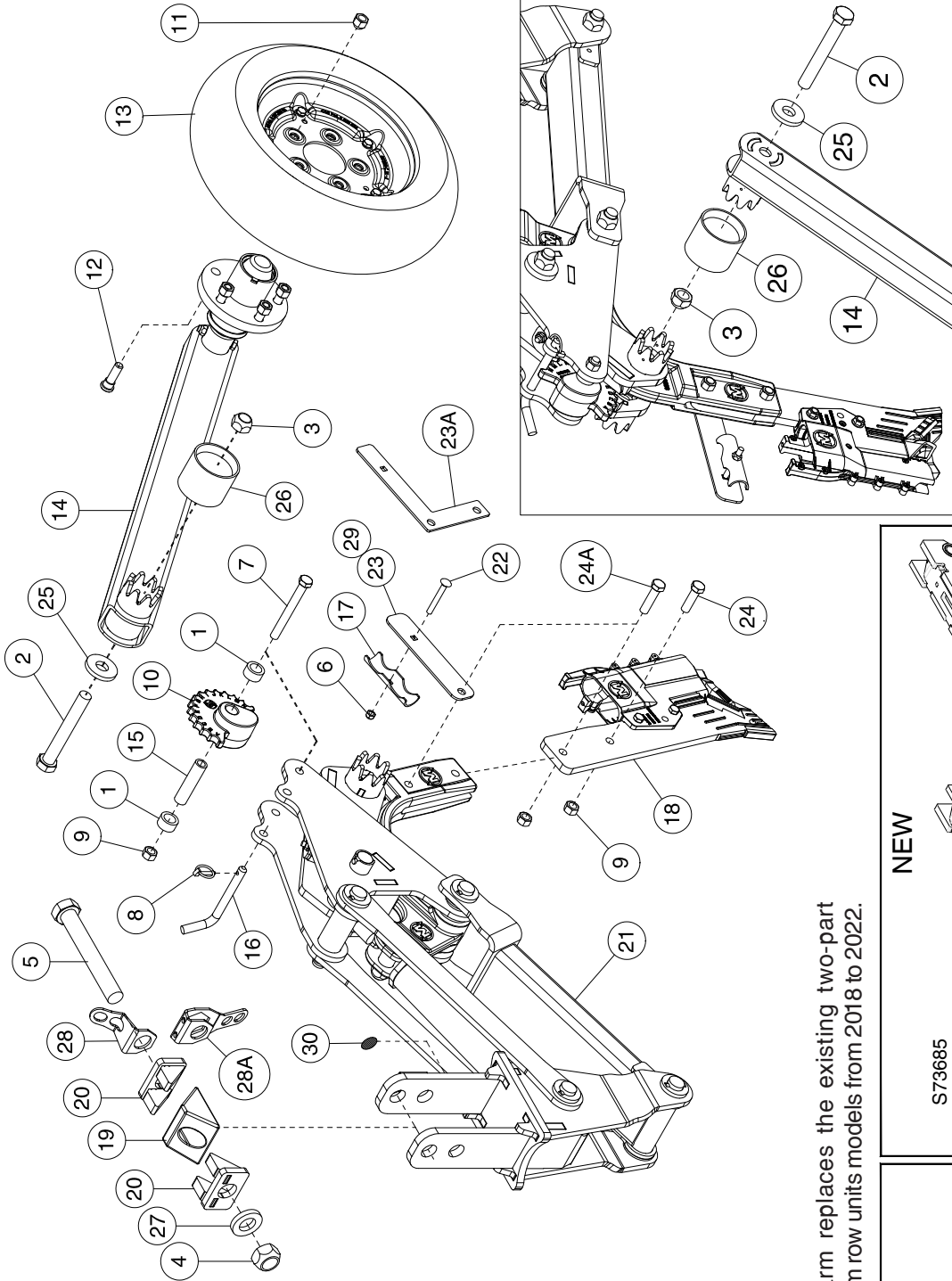
Item	Part No.	Description	Qty
* Quantities Listed Are For One Axle			
1	N33549	Inner Bearing Cone - HM218248	1
2	N33547	Inner Bearing Cup - HM218210	1
3	N70816	Hub - H10.....	1
4	N33548	Outside Bearing Cup - HM212010	1
5	N33550	Outside Bearing Cone - HM212049	1
6	N33245	Washer - 2 1/8 ID x 4 1/2 OD x 3/16 Thick	1
7	N33243	Crown Nut - 2-12 UN.....	1
8	N70814	Dust Cap with Gasket	1
9	N33244	Cotter Pin - 3/8 x 3 1/2 Lg	1
10	K65177	Wheel Stud - M22 x 1.50 L102	10
11	S-752	Grease Nipple Straight - 1/4-28 UNF	1
12	F-1767	Hex Head Cap Screw - 5/16"-18 UNC x 3/4" Lg.....	4
13	N70812	Spindle - 4 1/2 Dia	1
14	N70813	Grease Seal - 111/152.....	1
15	K65178	Flange Wheel Nut - M22 x 1.5 WR32 - GR 10 (26mm Height).....	10
	N70874	Hub and Spindle Assembly	

Section 3: Opener

Section Contents

Opener Assembly	3-2
Steel - Prior to 2022	3-2
Cast - 2022 to Present.....	3-4
Body Assembly	3-6
Steel - Prior to 2022	3-6
Cast - 2022 to Present.....	3-8
Packer Arm Assembly	3-10
Steel - Prior to 2022	3-10
Cast - 2022 to Present.....	3-11
Pack Control - Prior to 2022	3-12
Pack Control - 2022 to Present.....	3-13
Packer Wheel Assemblies	3-14
Seed Boot.....	3-15
Injected Polymer Pair Row Kit	3-15
Injected Polymer Left Sideband Kit	3-16
Injected Polymer Right Side Band Kit	3-17
Single Shoot.....	3-18
Single Shoot 3" Spreader	3-19
Double Shoot - Paired Row	3-20
Double Shoot - High Pressure NH3 Kit	3-21
Double Shoot - Side Band - Left	3-22
Double Shoot - Side Band Boot - Right	3-23

Opener Assembly Steel - Prior to 2022

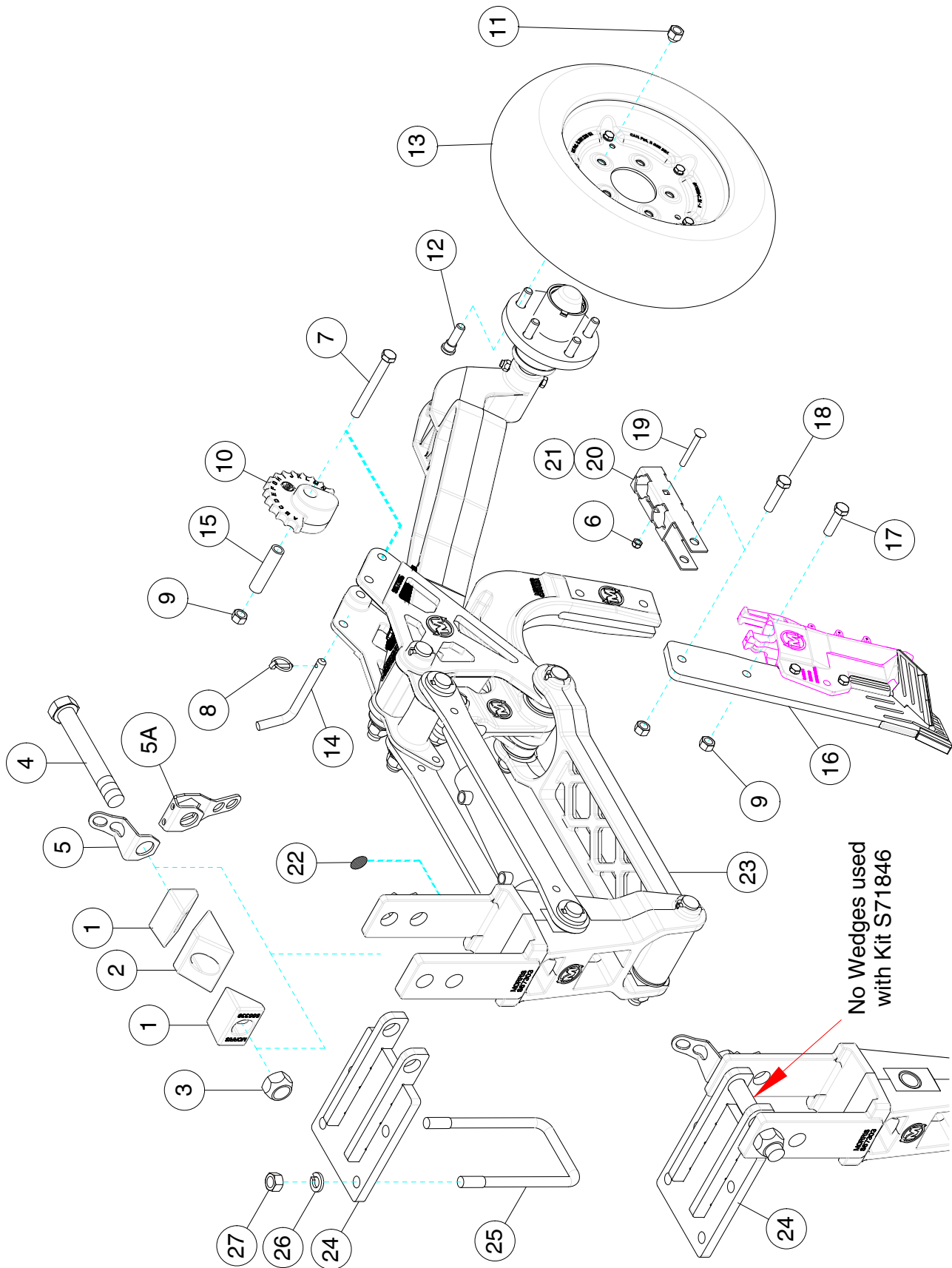


The new welded packer arm replaces the existing two-part assembly on welded Quantum row units models from 2018 to 2022.

Opener Assembly - Steel - Prior to 2022

Item	Part No.	Description	Qty																																																																																										
1	S65000	Cam Brace Bushing - 0.765 ID x 1-1/8 OD x 0.58 Lg.....	2																																																																																										
2	D-5558	Hex Bolt - 3/4 x 6 Lg.....	1																																																																																										
3	D-5273	Lock Nut - 3/4 Unitorque	7																																																																																										
4	D-5274	Lock Nut - 1 Unitorque	1																																																																																										
5	S42952	Hex Bolt - 1 x 6 5/8 Lg.....	1																																																																																										
6	D-5272	Lock Nut - 5/16 Unitorque	1																																																																																										
7	S66403	Hex Bolt - 1/2 x 4 1/2 Lg - GR.8.....	1																																																																																										
8	S42294	Lynch Pin - 3/16 Dia x 1-3/8 Lg	1																																																																																										
9	S47110	Hex Nut - 1/2 Center Lock.....	3																																																																																										
10	S49260	Depth Cam - Cast	1																																																																																										
11	S50246	Tapered Wheel Nut - 1/2-20UNF	5																																																																																										
12	S50247	Press-In Wheel Stud - 1/2 - 20UNF x 1 3/4 Lg.....	5																																																																																										
13	S64194	Otico Tire - 4 1/2.....	1																																																																																										
	S64195	Otico Tire - 5 1/2.....																																																																																											
14	S64673	Packer Arm.....	1																																																																																										
15	S64698	Bushing - 0.510 ID x 0.750 OD x 3.094 Lg	1																																																																																										
16	S65061	Depth Pin - 1/2 Dia.....	1																																																																																										
17	S65070	Hose Holder	1																																																																																										
18	S72321	Kit: Forged Paired Row IP - LD	1																																																																																										
	S72322	Kit: Forged Paired Row IP - HP																																																																																											
	S72324	Forged Sideband Boot Kit - Left IP - LD																																																																																											
	S72323	Forged Sideband Boot Kit - Right IP - LD																																																																																											
	S72325	Forged Single Shoot Assembly																																																																																											
19	S66337	Cast Center Wedge - 3 wide	1																																																																																										
20	S69115	Steel Outer Wedge - 2 3/4 wide (Replaced by S66338 - Cast Alloy).....	2																																																																																										
21	S65650	Row Unit - Right (Includes items 1,2,3,7,8,9,10,11,12,14,15,16, 25 and 26) Shown.....	1																																																																																										
	S65651	Row Unit - Left (Includes items 1,2,3,7,8,9,10,11,12,14,15,16, 25 and 26)																																																																																											
		Note: The only difference between the Left and Right Row Unit is the orientation of the packer arm assembly.																																																																																											
22	S51466	Carriage Bolt - 5/16 x 2 Lg	1																																																																																										
23	S65851	Hose Holder Bracket - Cast Shankholder	1																																																																																										
23A	S68009	Hose Holder Bracket - Steel Shankholder																																																																																											
24	W-487	Hex Bolt - 1/2 x 1 3/4 Lg.....	2																																																																																										
24A	S51464	Hex Bolt - 1/2 x 2 Lg - GR 8 (Hose Holder Replacement Bolt)	1																																																																																										
25	S65821	Washer - 2 1/4 OD x 25/32 ID	1																																																																																										
26	S69349	Sleeve Bushing.....	1																																																																																										
27	F-4490	Flatwasher - 1 1/32 ID x 1 7/8 OD x 1/4 Thick	1																																																																																										
28	S66245	Hose Holder - Opener.....	1																																																																																										
28A	S67170	Hose Holder - Opener - Low Profile - 6 per machine																																																																																											
29	S65852	Hose Holder Kit - Cast Shankholder - Contains Items 6, 9, 17, 22, 23 & 24A	1																																																																																										
	S68273	Hose Holder Kit - Steel Shankholder - Contains Items 6, 9, 17, 22, 23A & 24A																																																																																											
30	S66171	Openers Number Decal - 1 per machine																																																																																											
		<table border="1" style="margin: auto; border-collapse: collapse;"> <tr><td>1</td><td>4</td><td>7</td><td>10</td><td>13</td><td>16</td><td>19</td><td>22</td><td>25</td><td>28</td><td>31</td><td>34</td><td>37</td><td>40</td><td>43</td><td>46</td><td>49</td><td>52</td><td>55</td><td>58</td><td>61</td><td>64</td><td>67</td><td>70</td><td>73</td><td>76</td><td>79</td><td>82</td><td>85</td><td>88</td></tr> <tr><td>2</td><td>5</td><td>8</td><td>11</td><td>14</td><td>17</td><td>20</td><td>23</td><td>26</td><td>29</td><td>32</td><td>35</td><td>38</td><td>41</td><td>44</td><td>47</td><td>50</td><td>53</td><td>56</td><td>59</td><td>62</td><td>65</td><td>68</td><td>71</td><td>74</td><td>77</td><td>80</td><td>83</td><td>86</td><td>89</td></tr> <tr><td>3</td><td>6</td><td>9</td><td>12</td><td>15</td><td>18</td><td>21</td><td>24</td><td>27</td><td>30</td><td>33</td><td>36</td><td>39</td><td>42</td><td>45</td><td>48</td><td>51</td><td>54</td><td>57</td><td>60</td><td>63</td><td>66</td><td>69</td><td>72</td><td>75</td><td>78</td><td>81</td><td>84</td><td>87</td><td>90</td></tr> </table>	1	4	7	10	13	16	19	22	25	28	31	34	37	40	43	46	49	52	55	58	61	64	67	70	73	76	79	82	85	88	2	5	8	11	14	17	20	23	26	29	32	35	38	41	44	47	50	53	56	59	62	65	68	71	74	77	80	83	86	89	3	6	9	12	15	18	21	24	27	30	33	36	39	42	45	48	51	54	57	60	63	66	69	72	75	78	81	84	87	90	
1	4	7	10	13	16	19	22	25	28	31	34	37	40	43	46	49	52	55	58	61	64	67	70	73	76	79	82	85	88																																																																
2	5	8	11	14	17	20	23	26	29	32	35	38	41	44	47	50	53	56	59	62	65	68	71	74	77	80	83	86	89																																																																
3	6	9	12	15	18	21	24	27	30	33	36	39	42	45	48	51	54	57	60	63	66	69	72	75	78	81	84	87	90																																																																
		<p>Abbreviations:</p> <p>IP - Injected Polymer</p> <p>LD - Low Disturbance</p> <p>HP - High Penetration</p>																																																																																											

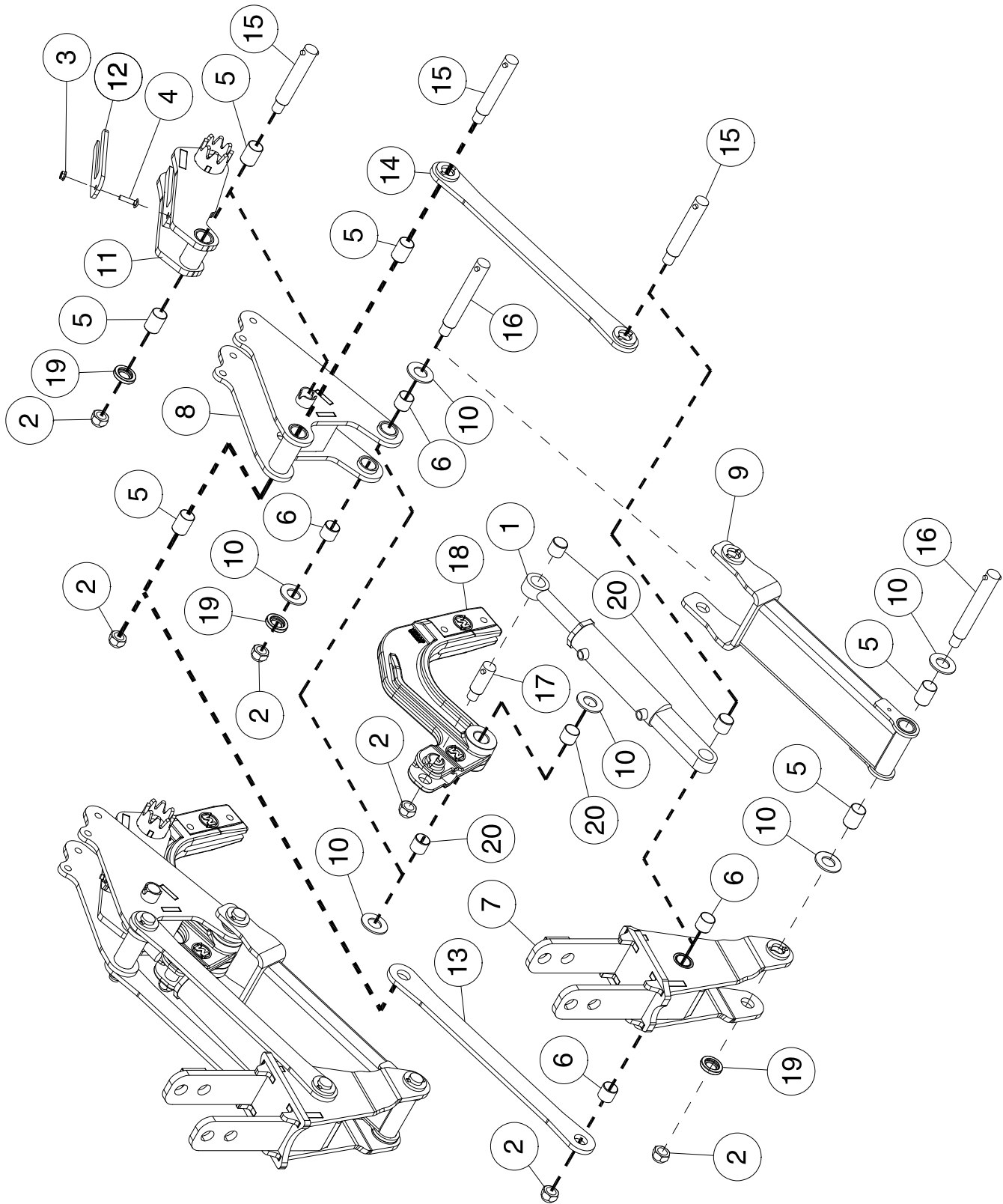
Opener Assembly Cast - 2022 to Present



Opener Assembly - Cast - 2022 to Present

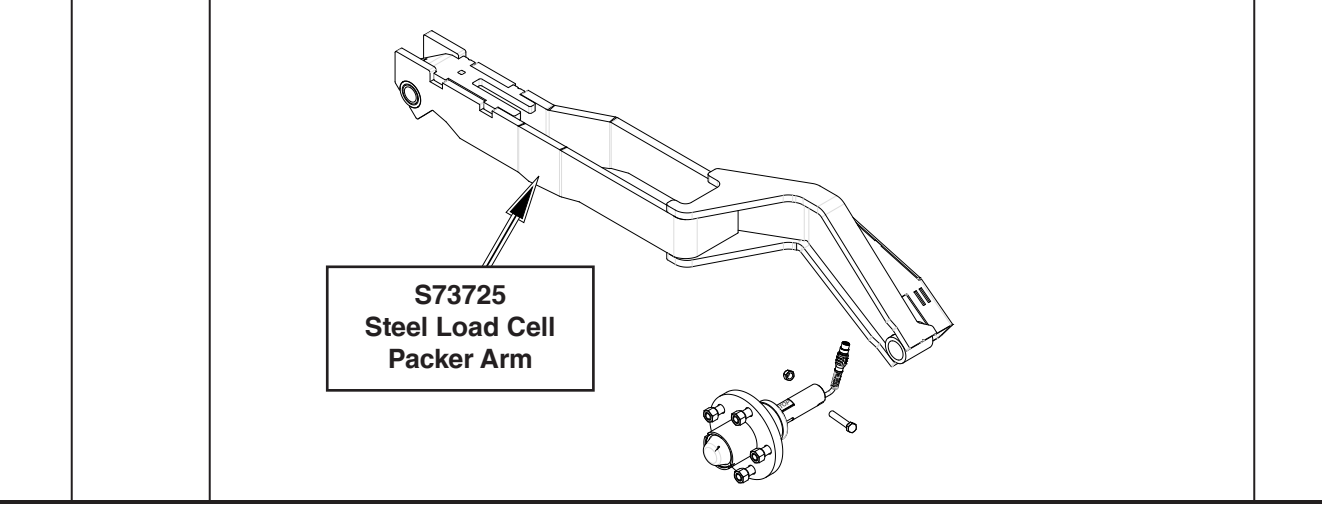
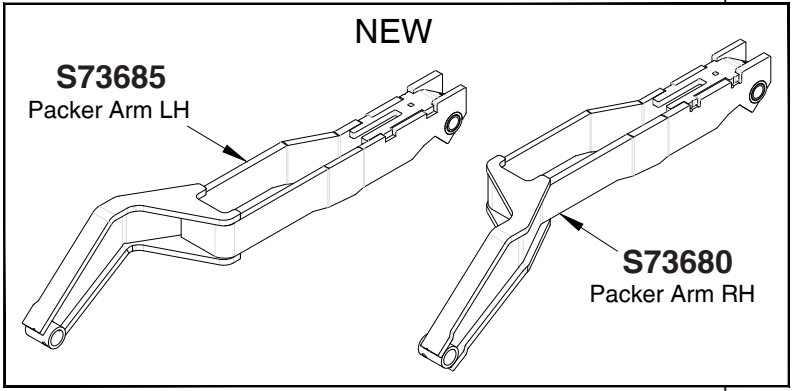
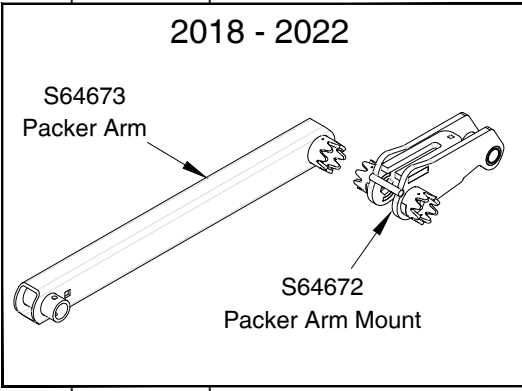
Item	Part No.	Description	Qty
1	S66338	Outer Wedge - Cast Alloy	2
2	S66337	Centre Wedge - Cast.....	1
3	D-5274	Lock Nut - 1 Unitorque	1
4	S42952	Hex Bolt - 1 x 6 5/8 Lg.....	1
5	S66245	Hose Holder - Opener.....	1
5A	S67170	Hose Holder - Opener - Low Profile - 4 per machine	
6	D-5272	Lock Nut - 5/16 Unitorque	1
7	S66403	Hex Bolt - 1/2 x 4 1/2 Lg - GR.8.....	1
8	S42294	Lynch Pin - 3/16 Dia x 1-3/8 Lg	1
9	S47110	Hex Nut - 1/2 Center Lock.....	3
10	S49260	Depth Cam - Cast	1
11	S50246	Tapered Wheel Nut - 1/2-20UNF.....	5
12	S50247	Press-In Wheel Stud - 1/2 - 20UNF.....	5
13	*****	See "Packer Wheel Assemblies".....	1
14	S65061	Depth Pin - 1/2 Dia.....	1
15	S67944	Bushing - 0.510 ID x 0.750 OD x 1 31/32 Lg	1
16	S72321	Kit: Forged Paired Row IP - LD	1
	S72322	Kit: Forged Paired Row IP - HP	
	S72324	Forged Sideband Boot Kit - Left IP - LD	
	S72323	Forged Sideband Boot Kit - Right IP - LD	
	S72325	Forged Single Shoot Assembly	
17	W-487	Hex Bolt - 1/2 x 1 3/4 Lg.....	1
18	S51464	Hex Bolt - 1/2 x 2 Lg - GR 8 (Hose Holder Replacement Bolt)	1
19	S51466	Carriage Bolt - 5/16 x 2 Lg	1
20	S69305	Hose Holder	1
21	S72297	Hose Holder Kit - Contains Items 6, 9, 18, 19 & 20.....	1
22	S66171	Openers Number Decal - 1 per machine (40ft to 70ft) Not Shown	
	S73374	Openers Number Decal - 1 per machine (80ft) Shown	
		<div style="display: flex; flex-wrap: wrap; gap: 5px;"> 1 5 9 13 17 21 25 29 33 37 41 45 49 53 57 61 65 69 73 77 81 85 89 93 97 </div> <div style="display: flex; flex-wrap: wrap; gap: 5px;"> 2 6 10 14 18 22 26 30 34 38 42 46 50 54 58 62 66 70 74 78 82 86 90 94 98 </div> <div style="display: flex; flex-wrap: wrap; gap: 5px;"> 3 7 11 15 19 23 27 31 35 39 43 47 51 55 59 63 67 71 75 79 83 87 91 95 99 </div> <div style="display: flex; flex-wrap: wrap; gap: 5px;"> 4 8 12 16 20 24 28 32 36 40 44 48 52 56 60 64 68 72 76 80 84 88 92 96 100 </div>	
23	S72302	Row Unit - Right (Includes items 7, 8, 9,10,11,12,14,15) - Shown	1
	S72303	Row Unit - Left (Includes items 7, 8, 9,10,11,12,14,15)	
	S71846	10 inch and 25cm Offset Spacing Kit (Includes items 24, 25 and 26) (Kit is used on inner wing - 2 kits required per drill)	
24	S71726	Offset Row Unit Mount - 25cm Spacing	
25	S39649	U-Bolt - 5/8 x 4 x 7 3/4 UL.....	2
26	W-526	Lockwasher - 5/8.....	4
27	W-517	Hex Nut - 5/8.....	4
		Abbreviations: IP - Injected Polymer LD - Low Disturbance HP - High Penetration	

Body Assembly Steel - Prior to 2022

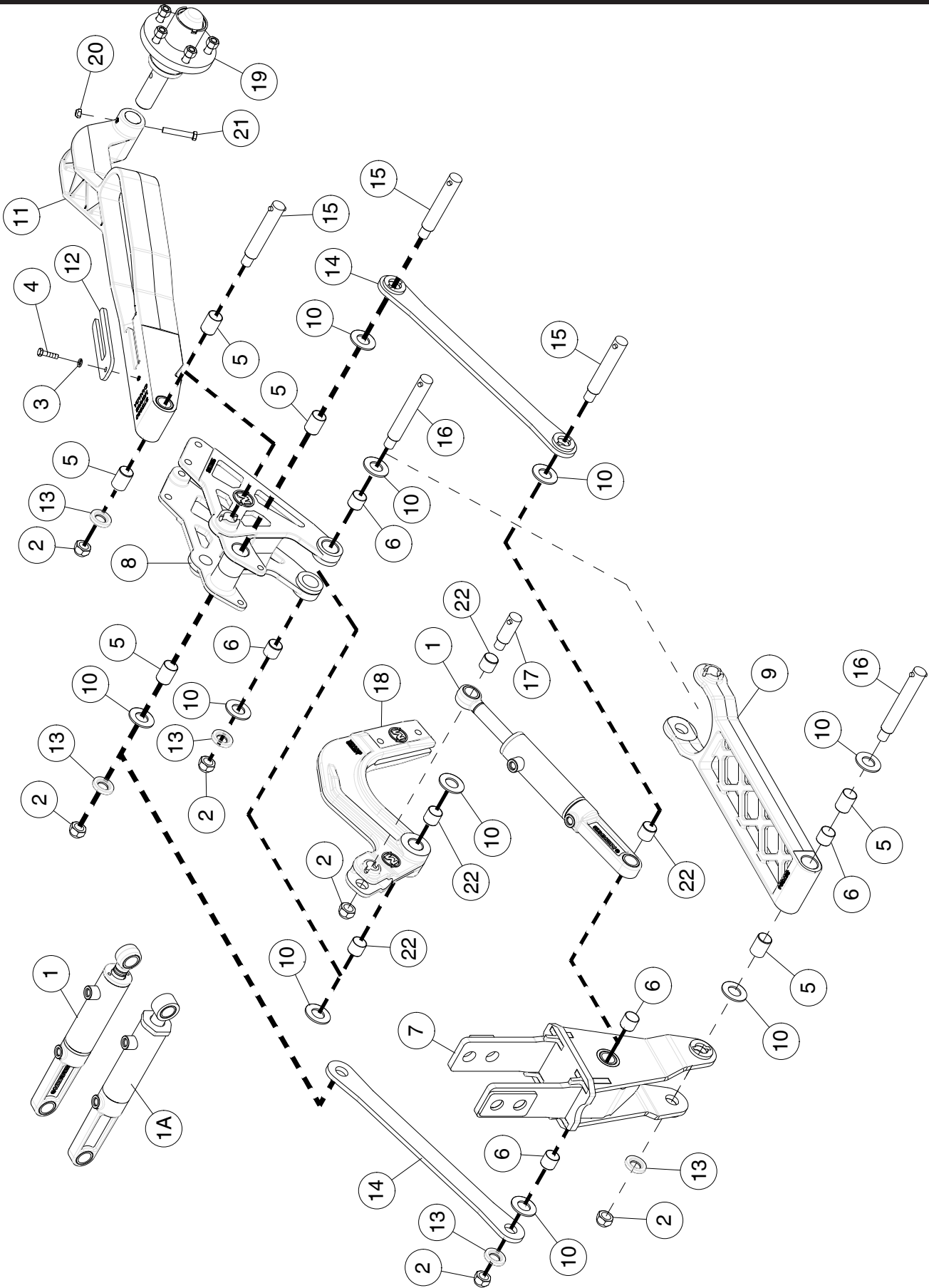


Body Assembly - Steel - Prior to 2022

Item	Part No.	Description	Qty
1	C64546	Cylinder - 1 3/4 Bore x 4 Stroke (Includes Item 20) (Seal Kit C71900)	1
2	D-5275	Locknut - 3/4 nylon insert.....	6
3	D-5278	Lock Nut - 5/16 Flanged.....	1
4	N31012	Carriage Bolt - 5/16 x 1 1/4 Lg	1
5	S62986	Q2 Bushing - 1 ID x 1 1/8 OD x 1 1/2 Lg Nominal size	6
6	S72042	EWS Bushing - 1 ID x 1 1/8 OD x 1 Lg Nominal size	4
7	S62998	Mounting Bracket - (Includes Item 6 Qty of 2).....	1
8	S64119	Opener Body - (Includes Item 5 Qty of 2 and Item 6 Qty 2).....	1
9	S64172	Bottom Link - (Includes Item 5 Qty of 2).....	1
10	S69398	Washer - 1 1/32 ID x 2 OD x 1/8	6
11	S64672	Packer Arm Mount - (Includes Item 5 Qty of 2)	1
12	S66251	Shim - Depth Adjustment - 1/4 Thick.....	1
13	S64759	Strap - Top Link.....	1
14	S65009	Top Link.....	1
15	S65037	Pin - Chrome - 1 Dia x 4 21/32 UL.....	3
16	S65038	Pin - Chrome - 1 Dia x 5 9/16 UL	2
17	S65039	Pin - Chrome - 1 Dia x 1 29/32 UL.....	1
18	S65048	Cast Shankholder - (Includes Item 20 Qty of 2)	1
19	S72061	Washer - Machined Step - 0.765 ID x 1.063 ID x 1 9/16 OD x 0.266 Thick	3
20	S72042	EWS Bushing - 1 ID x 1 1/8 OD x 1 Lg Nominal size	4
	S73260	Quantum Steel Row Unit Rebuild Kit (Includes Items 2, 5, 6, 10, 15, 16, 17, 19, 20)	
		The new welded packer arm replaces the existing two-part assembly on welded Quantum row units models from 2018 to 2022. This redesigned packer arm is a more robust solution. Note Load Cell Packer Arm is S73725.	



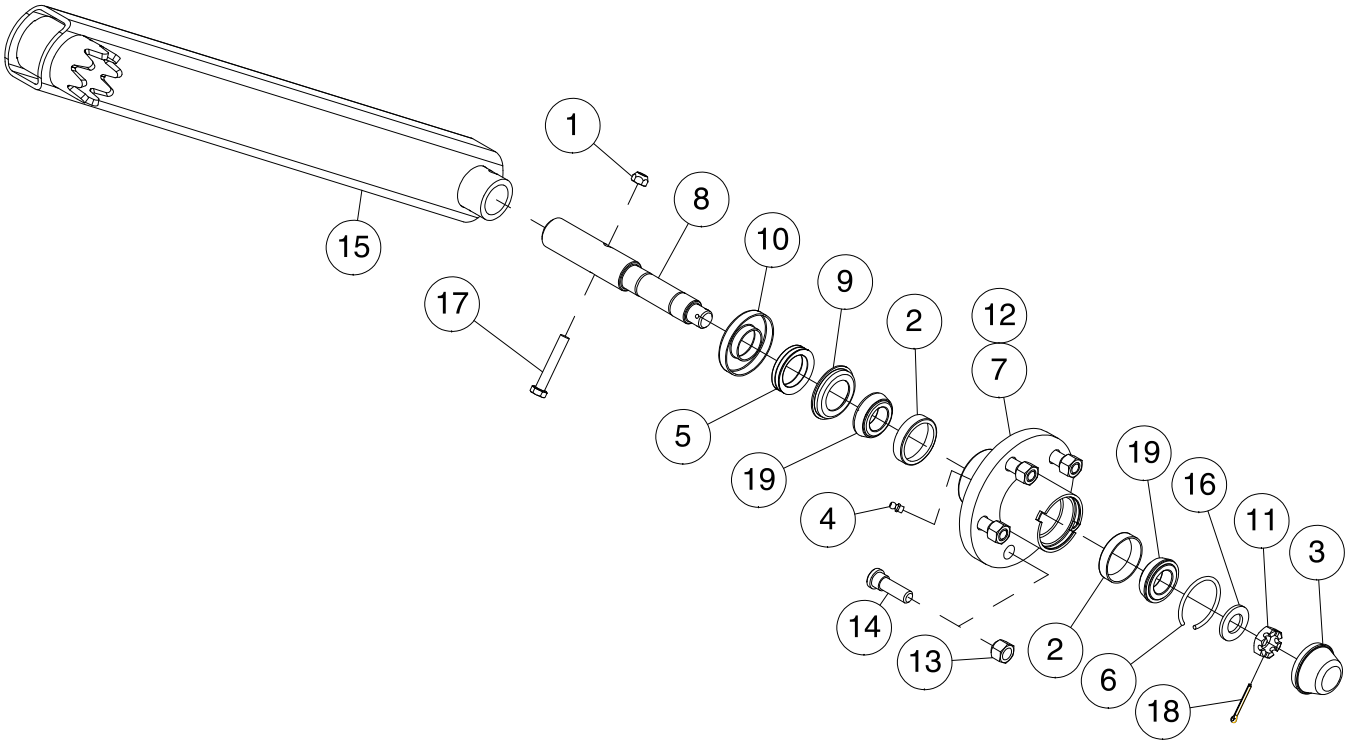
Body Assembly Cast - 2022 to Present



Body Assembly - Cast - 2022 to Present

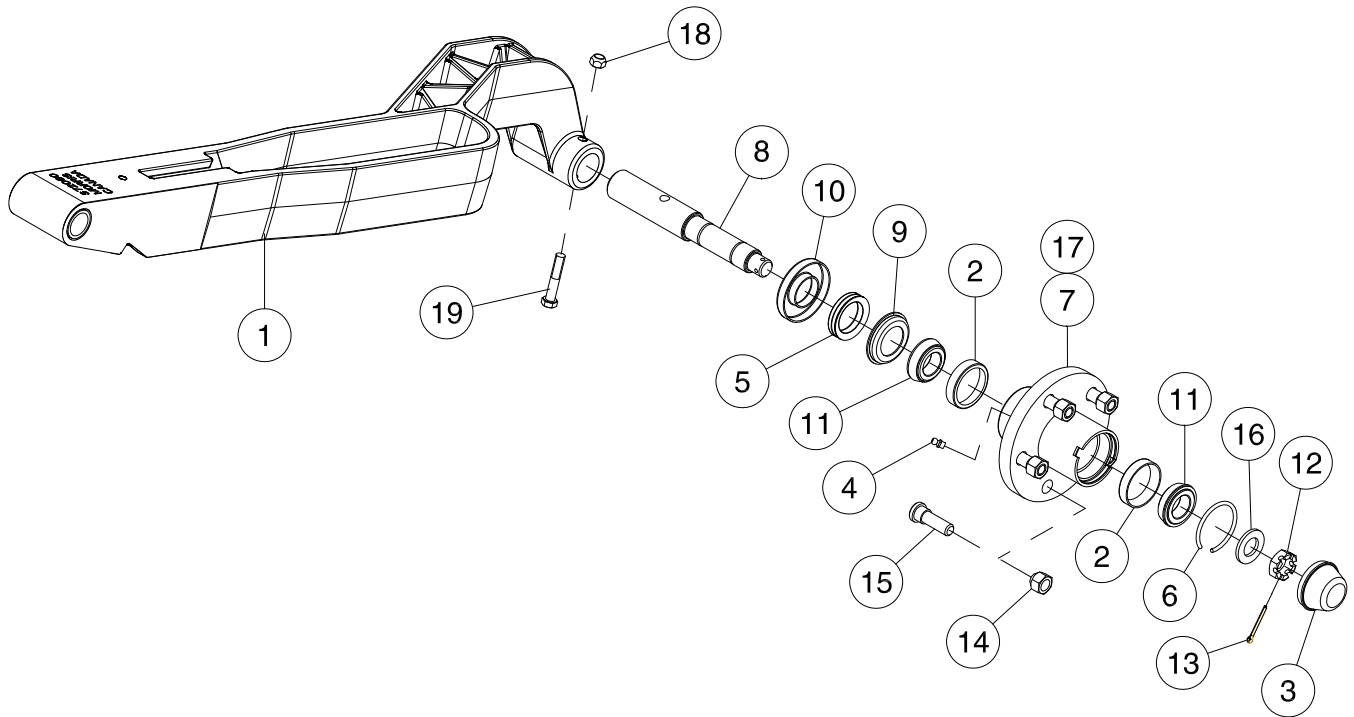
Item	Part No.	Description	Qty
1	C72090	Cylinder - 1 3/4 Bore x 4 Stroke - (Includes Item 22 Qty of 2) - 2023 (Seal Kit C72720)...	1
1A	C68272	Cylinder - 1 3/4 Bore x 4 Stroke - (Includes Item 22 Qty of 2) (Seal Kit C71900)	
2	D-5275	Locknut - 3/4 nylon insert.....	6
3	W-522	Lock Washer - 5/16	1
4	F-1767	Hex Bolt - 5/16 x 3/4 Lg.....	1
5	S67549	Q2 Bushing - 1 ID x 1 1/4 OD x 1 1/2 Lg Nominal size.....	6
6	S59806	Q2 Bushing - 1 ID x 1 1/4 OD x 1 Lg Nominal size.....	5
7	S67303	Mounting Bracket - Cast - (Includes Item 22 Qty of 2) - 2023.....	1
	S69360	Mounting Bracket - Welded - (Includes Item 6 Qty of 2).....	1
8	S67305	Opener Body - (Includes Item 5 Qty of 2 and Item 6 Qty 2).....	1
9	S67304	Bottom Link - (Includes Item 5 Qty of 2 and Item 6 Qty 1)	1
10	S69398	Washer - 1 1/32 ID x 2 OD x 1/8.....	10
11	S72060	Packer Arm - Right - (Includes Item 5 Qty of 2) - Shown	1
	S72065	Packer Arm - Left - (Includes Item 5 Qty of 2)	1
12	S66251	Shim - Depth Adjustment - 1/4 Thick.....	1
13	S72061	Washer - Step - Machined - 0.800 ID x 1.063 ID x 1 9/16 OD x 0.266 Thick.....	5
14	S65009	Top Link.....	2
15	S69573	Pin - Chrome - 1 Dia x 5 1/16 UL.....	3
16	S69574	Pin - Chrome - 1 Dia x 5 23/32 UL.....	2
17	S69598	Pin - Chrome - 1 Dia x 1 29/32 UL.....	1
18	S67613	Cast Shankholder - (Includes Item 22 Qty of 2)	1
19	S48850	Spindle Hub Assembly	1
20	M-3388	Locknut - 3/8 Unitorque.....	1
21	W-480	Hex Bolt - 3/8 x 2 1/2 Lg.....	1
22	S72046	EWS Bushing - 1 ID x 1 1/4 OD x 1 Lg Nominal size.....	4
	S73284	Quantum Cast Row Unit Rebuild Kit (Includes Items 2, 5, 6, 10, 13, 15, 16, 17, 22)	

Packer Arm Assembly Steel - Prior to 2022



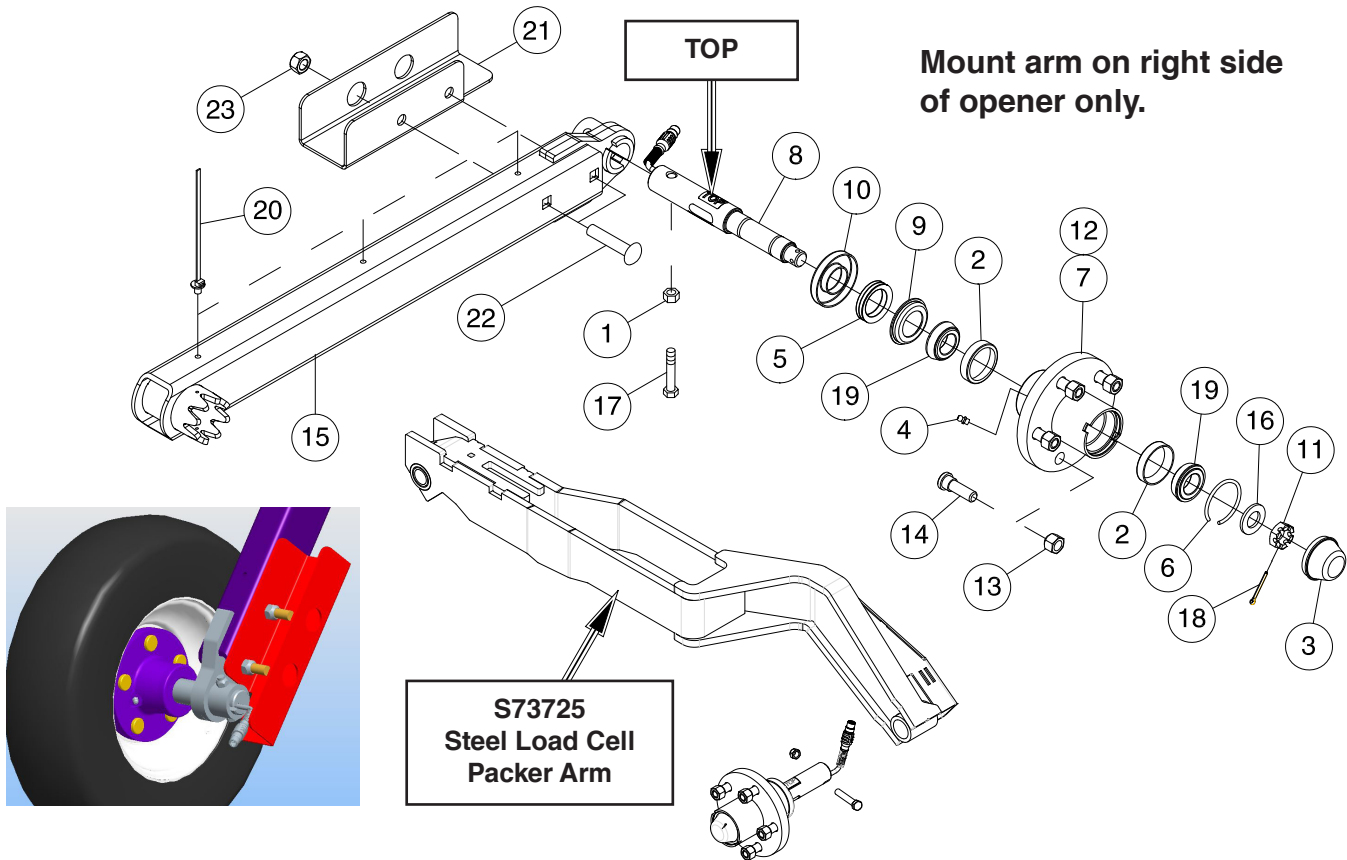
Item	Part No.	Description	Qty
1	M-3388	Lock Nut - 3/8 Unitorque	1
2	N14009	Bearing Cup	2
3	N14011	Dust Cap	1
4	S-752	Grease Zerk - 1/4	1
5	S48842	V-Seal - 1 1/4 Shaft	1
6	S48843	Dust Cap Retaining Wire	1
7	S48844	Hub Casting - 1000 Lb - 5 Bolt	1
8	S48846	Spindle - 1-1/4 Dia	1
9	S48847	Seal Counterface	1
10	S48848	Seal Retainer	1
11	S48849	Slotted Jam Nut - 3/4	1
12	S48850	Packer Hub Assembly (Includes Items# 2, 3, 4, 5, 6, 7, 8, 9, 10, 11, 13, 14, 16, 18 & 19) ..	1
13	S50246	Tapered Wheel Nut - 1/2	5
14	S50247	Press-In Wheel Stud - 1/2	5
15	S64673	Packer Arm	1
16	W-476	Washer - 3/4	1
17	W-479	Hex Bolt - 3/8 x 2 1/4 Lg	1
18	W-529	Cotter Pin - 1/8 x 1 Lg	1
19	W-4187	Bearing Cone	2

Packer Arm Assembly Cast - 2022 to Present



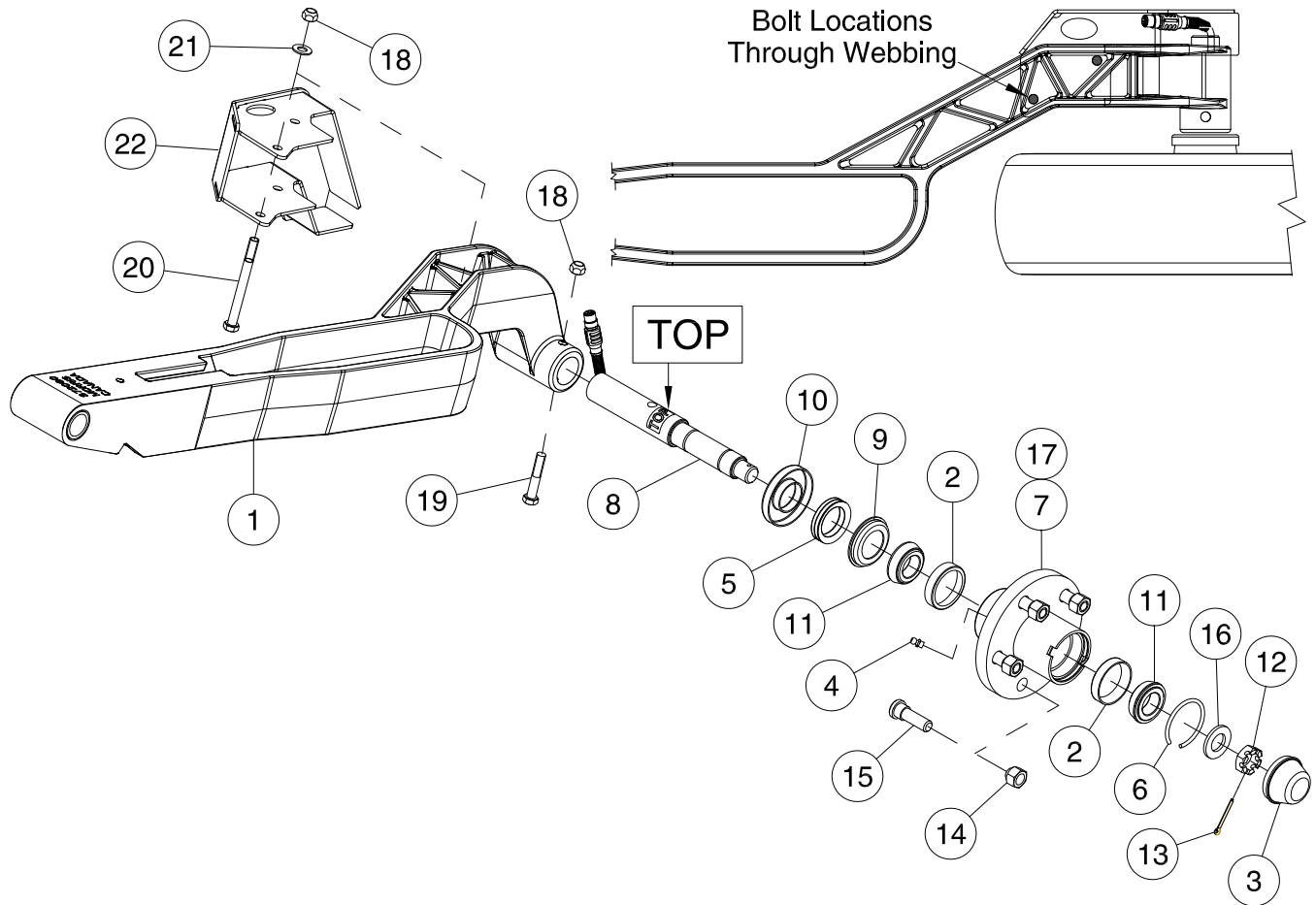
Item	Part No.	Description	Qty
1	S72060	Packer Arm - Right - Shown	1
	S72065	Packer Arm - Left	1
2	N14009	Bearing Cup	2
3	N14011	Dust Cap	1
4	S-752	Grease Zerk - 1/4	1
	K72371	Grease Fitting - M08 x 1.25 - Straight - (98608A1)	
5	S48842	V-Seal - 1 1/4 Shaft	1
6	S48843	Dust Cap Retaining Wire	1
7	S48844	Hub Casting - 1000 Lb - 5 Bolt	1
8	S48846	Spindle - 1-1/4 Dia	1
9	S48847	Seal Counterface	1
10	S48848	Seal Retainer	1
11	W-4187	Bearing Cone	2
12	S48849	Slotted Jam Nut - 3/4	1
13	W-529	Cotter Pin - 1/8 x 1 Lg	1
14	S50246	Tapered Wheel Nut - 1/2.....	5
15	S50247	Press-In Wheel Stud - 1/2	5
16	W-476	Washer - 3/4.....	1
17	S48850	Packer Hub Assembly (Includes Items# 2, 3, 4, 5, 6, 7, 8, 9, 10, 11, 12, 13, 14, 15 & 16)	1
18	M-3388	Lock Nut - 3/8 Unitorque	1
19	W-480	Hex Bolt - 3/8 x 2 1/2 Lg.....	1

Packer Arm Assembly Pack Control - Prior to 2022



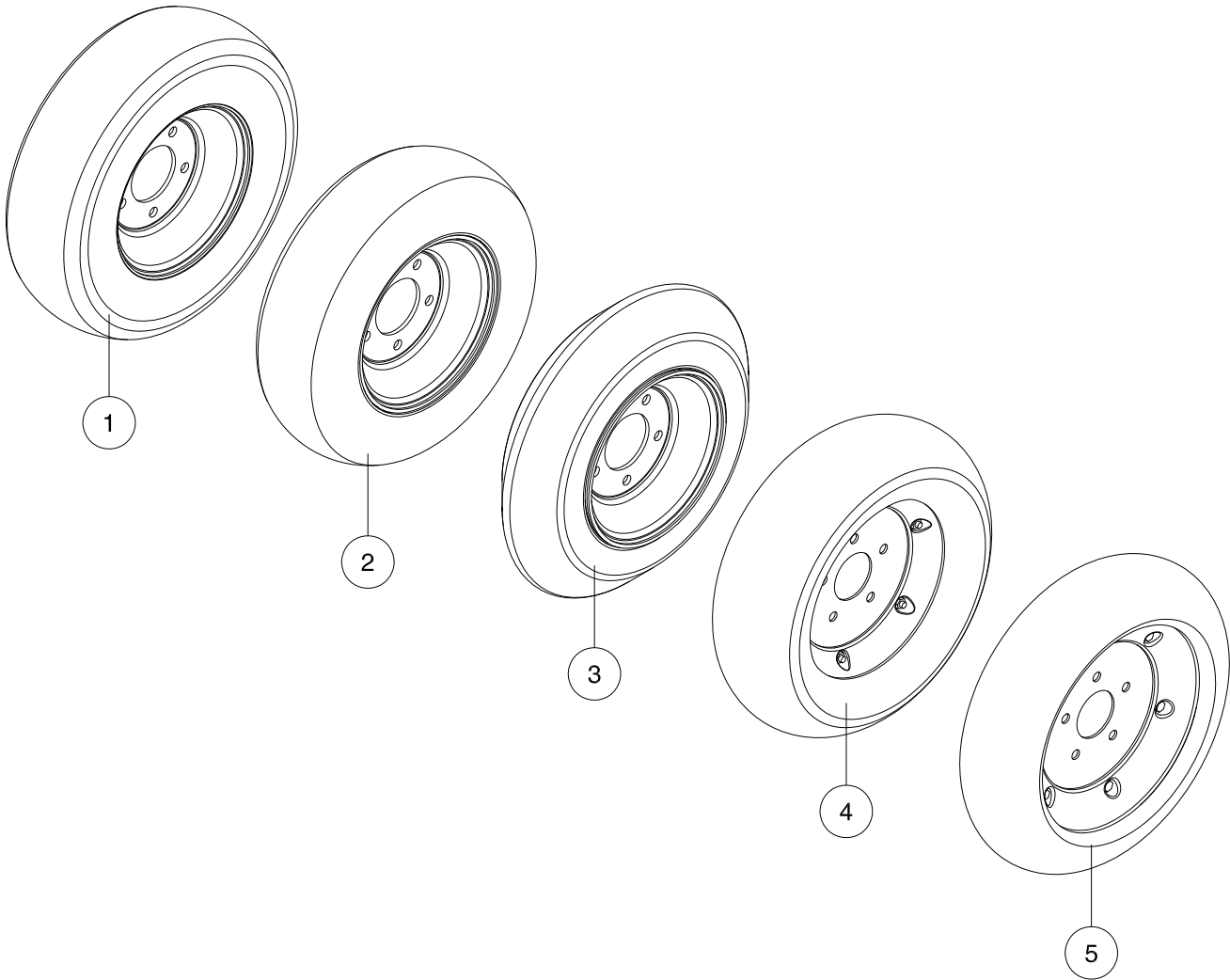
Item	Part No.	Description	Qty
1	M-3388	Lock Nut - 3/8 Unitorque	1
2	N14009	Bearing Cup	2
3	N14011	Dust Cap	1
4	S-752	Grease Zerk - 1/4	1
5	S48842	V-Seal - 1 1/4 Shaft	1
6	S48843	Dust Cap Retaining Wire	1
7	S48844	Hub Casting - 1000 Lb - 5 Bolt	1
8	S66278	Spindle - Digi-Star	1
9	S48847	Seal Counterface	1
10	S48848	Seal Retainer	1
11	S48849	Slotted Jam Nut - 3/4	1
12	S67715	Axle Assembly - Digi-Star (Includes Items# 2, 3, 4, 5, 6, 7, 8, 9, 10, 11, 13, 14, 16, 18 & 19)....	1
13	S50246	Tapered Wheel Nut - 1/2.....	5
14	S50247	Press-In Wheel Stud - 1/2	5
15	S66267	Packer Arm - Digi-Star	1
16	W-476	Washer - 3/4.....	1
17	W-479	Hex Bolt - 3/8 x 2 1/4 Lg.....	1
18	W-529	Cotter Pin - 1/8 x 1 Lg	1
19	W-4187	Bearing Cone	2
20	S67885	Zip Tie - Push Mount	3
21	S69154	Guard - Pack Master Cable	1
22	S47593	Carriage Bolt - 1/2 x 3 1/2 Lg	2
23	F-3405	Locknut - 1/2 Unitorque.....	2
	S67716	Pack Control Arm complete with DIGI-STAR. (Includes Items 1 to 23)	
	S71738	Pack Control Stubble Guard Field Kit (Includes Items 21 to 23)	

Packer Arm Assembly Pack Control - 2022 to Present



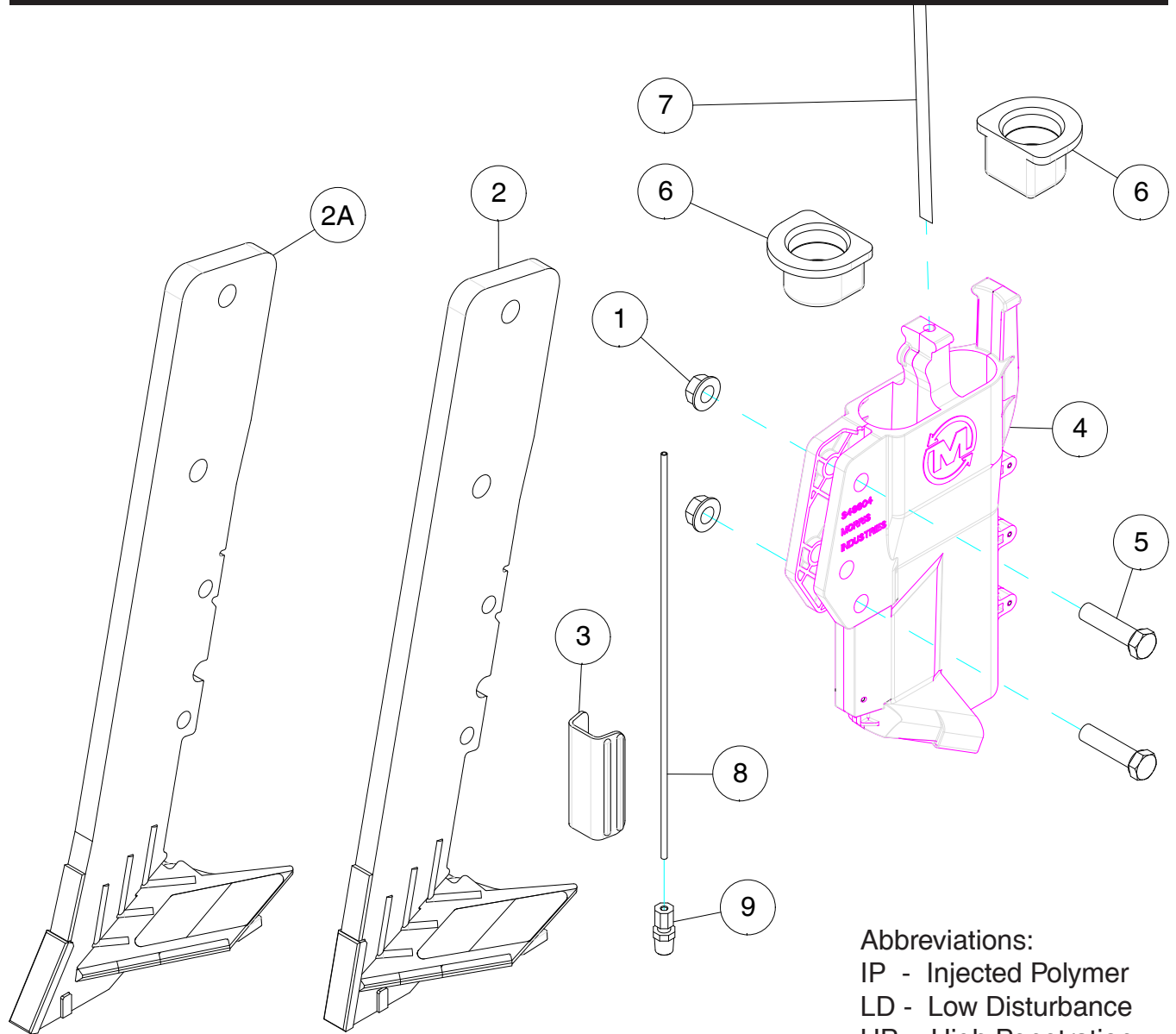
Item	Part No.	Description	Qty
1	S72060	Packer Arm - Right.....	1
	S72292	Pack Force Spindle and Guard Kit. (Includes ALL Items below)	
2	N14009	Bearing Cup.....	2
3	N14011	Dust Cap.....	1
4	S-752	Grease Zerk - 1/4.....	1
	K72371	Grease Fitting - M08 x 1.25 - Straight - (98608A1)	
5	S48842	V-Seal - 1 1/4 Shaft.....	1
6	S48843	Dust Cap Retaining Wire.....	1
7	S48844	Hub Casting - 1000 Lb - 5 Bolt.....	1
8	S72200	Spindle - 1-1/4 Dia - Digi-Star.....	1
9	S48847	Seal Counterface.....	1
10	S48848	Seal Retainer.....	1
11	W-4187	Bearing Cone.....	2
12	S48849	Slotted Jam Nut - 3/4.....	1
13	W-529	Cotter Pin - 1/8 x 1 Lg.....	1
14	S50246	Tapered Wheel Nut - 1/2.....	5
15	S50247	Press-In Wheel Stud - 1/2.....	5
16	W-476	Washer - 3/4.....	1
17	S72190	Packer Hub Assembly (Includes Items# 2, 3, 4, 5, 6, 7, 8, 9, 10, 11, 12, 13, 14, 15 & 16)	1
18	M-3388	Lock Nut - 3/8 Unitorque.....	5
19	W-480	Hex Bolt - 3/8 x 2 1/2 Lg.....	1
20	C-1550	Hex Bolt - 3/8 x 4 Lg.....	2
21	D-5489	Washer - 13/32 ID x 13/16 OD x 16 GA.....	2
22	S72094	Guard -Pack Control - Cast Arm - Right.....	1

Opener Packer Wheel Assemblies



Item	Part No.	Description	Qty
1	S44300	Semi Pneumatic Tire - 480 x 8	1
2	S44900	Semi Pneumatic Tire - 550 x 8	1
3	S47093	"V" Crown Packer Tire - 400 x 8.....	1
	S73310	"V" Crown Packer Tire - 4.50 x 8.....	1
4	S64195	5.5" Otico Tire - 425 x 140L	1
5	S72075	4.5" AIC Tire - (Replaces S64194 - 4.5" Otico Tire)	1
	S73086	4.5" HD Tire	1

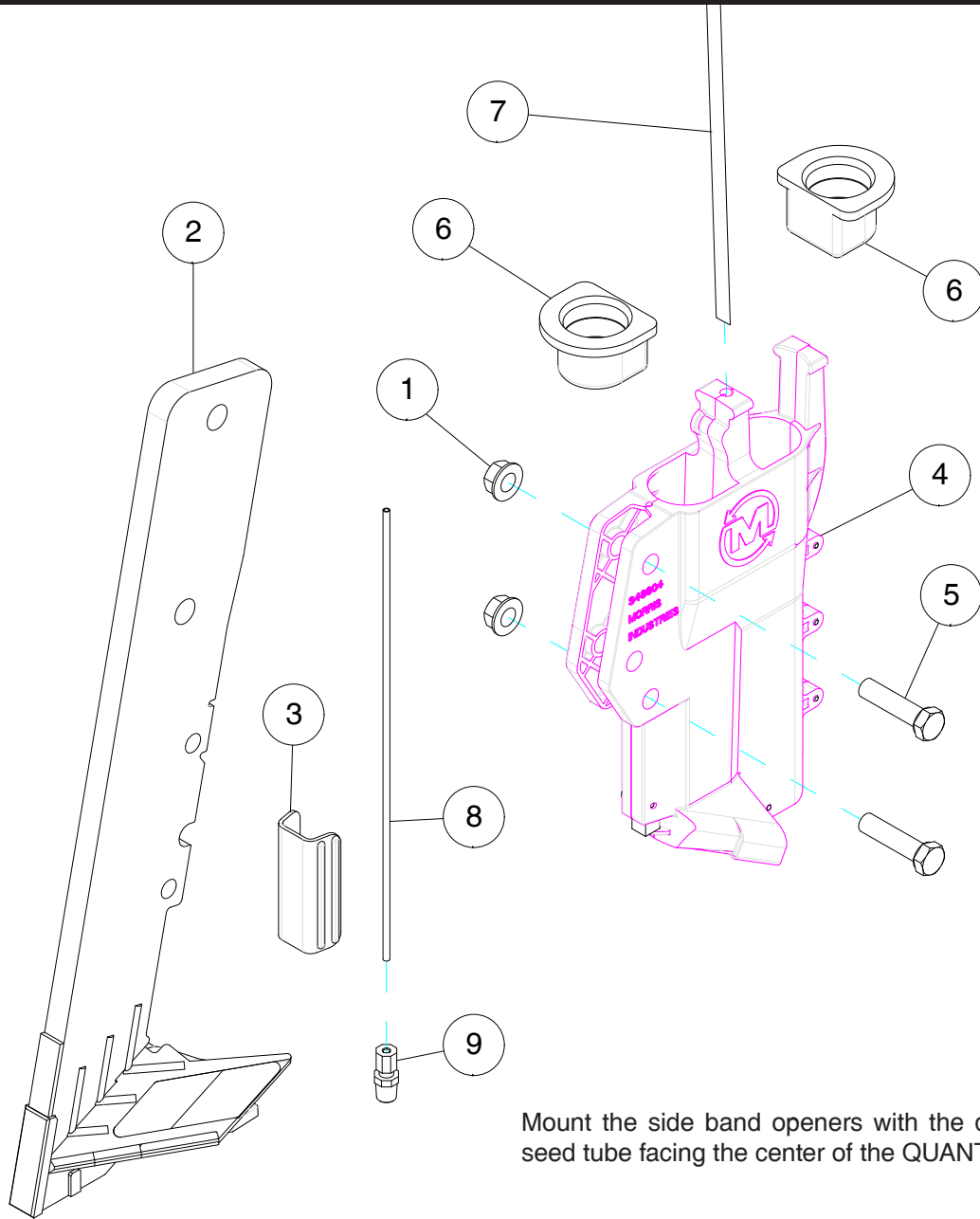
Seed Boot Injected Polymer Pair Row Kit



Abbreviations:
 IP - Injected Polymer
 LD - Low Disturbance
 HP - High Penetration

Item	Part No.	Description	Qty
1	S27987	Lock Nut - 3/8 Flange W/Center Lock.....	2
2	S72185	Forged Shank W/Carbide - Paired Row LD.....	1
2A	S72306	Forged Shank W/Carbide - Paired Row HP.....	1
3	S65074	Wear Guard - Claded.....	1
4	S56485	IP Paired Row Seed Boot.....	1
5	W-477	Hex Bolt - 3/8 x 1 1/2 Lg.....	2
6	S47076	Secondary Hose Grommet - 15/16 ID Hose - Prior to 2023.....	2
7	*****	Liquid Tube - 1/4 OD - See Liquid Kit Supplier for Tube.....	1
8	*****	Injector Tube - 1/8 OD - See NH3 Kit Supplier for Tube.....	1
9	S48814	Compression Fitting - 1/8 x 1/8.....	1
	S72321	Kit: Forged Paired Row IP - LD (Contains Items 1, 2, 3, 4 & 5)	
	S72322	Kit: Forged Paired Row IP - HP (Contains Items 1, 2A, 3, 4 & 5)	

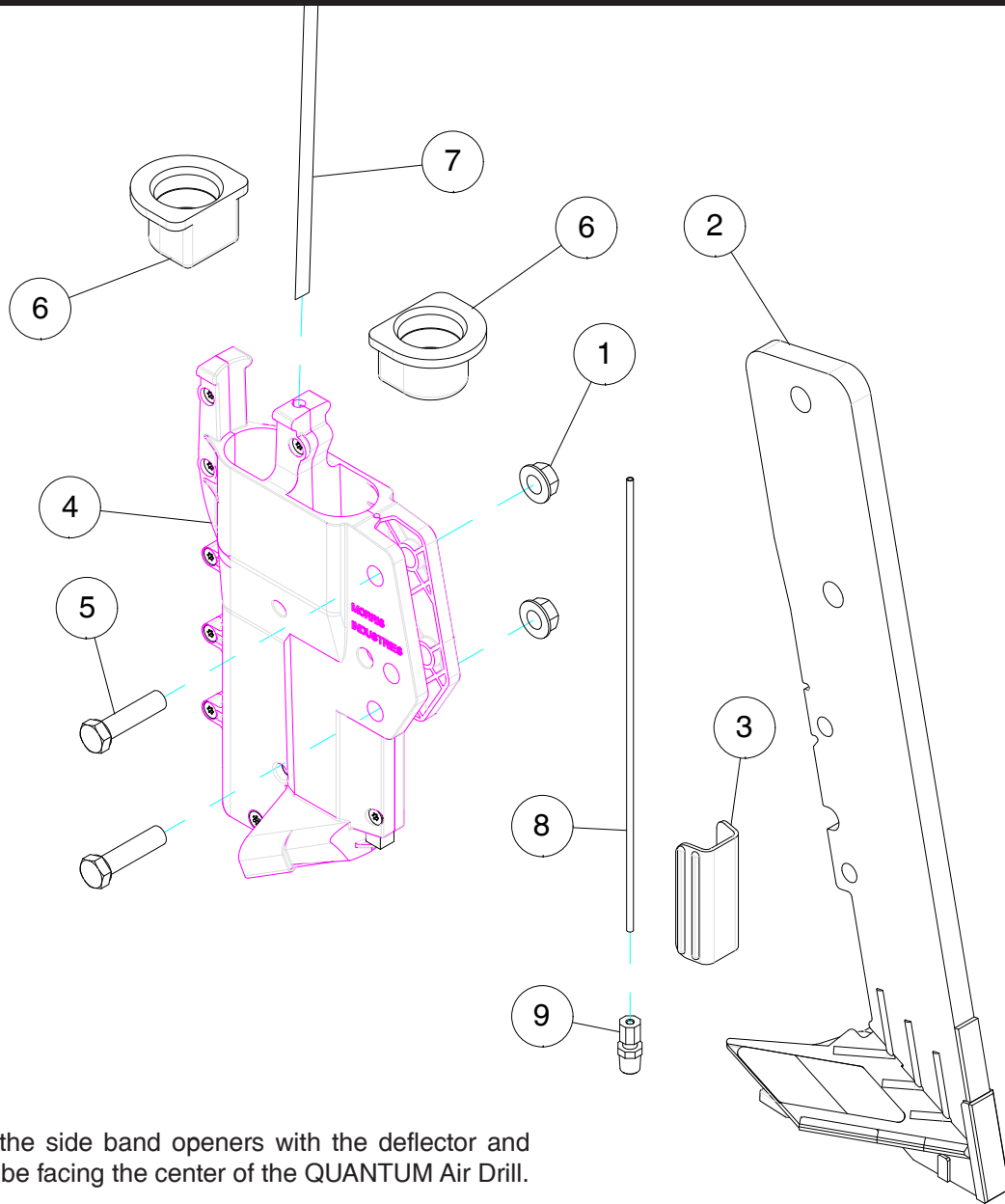
Seed Boot Injected Polymer Left Sideband Kit



Mount the side band openers with the deflector and seed tube facing the center of the QUANTUM Air Drill.

Item	Part No.	Description	Qty
1	S27987	Lock Nut - 3/8 Flange W/Center Lock	2
2	S72309	Forged Shank W/Carbide - Sideband Left LD	1
3	S65074	Wear Guard - Claded	1
4	S56482	IP (Injected Polymer) Left Sideband Seed Boot	1
5	W-477	Hex Bolt - 3/8 x 1 1/2 Lg.....	2
6	S47076	Secondary Hose Grommet - 15/16 ID Hose - Prior to 2023	2
7	*****	Liquid Tube - 1/4 OD - See Liquid Kit Supplier for Tube	1
8	*****	Injector Tube - 1/8 OD - See NH3 Kit Supplier for Tube	1
9	S48814	Compression Fitting - 1/8 x 1/8	1
	S72324	Forged Sideband Boot Kit - Left IP - LD (Contains Items 1, 2, 3, 4 & 5)	1

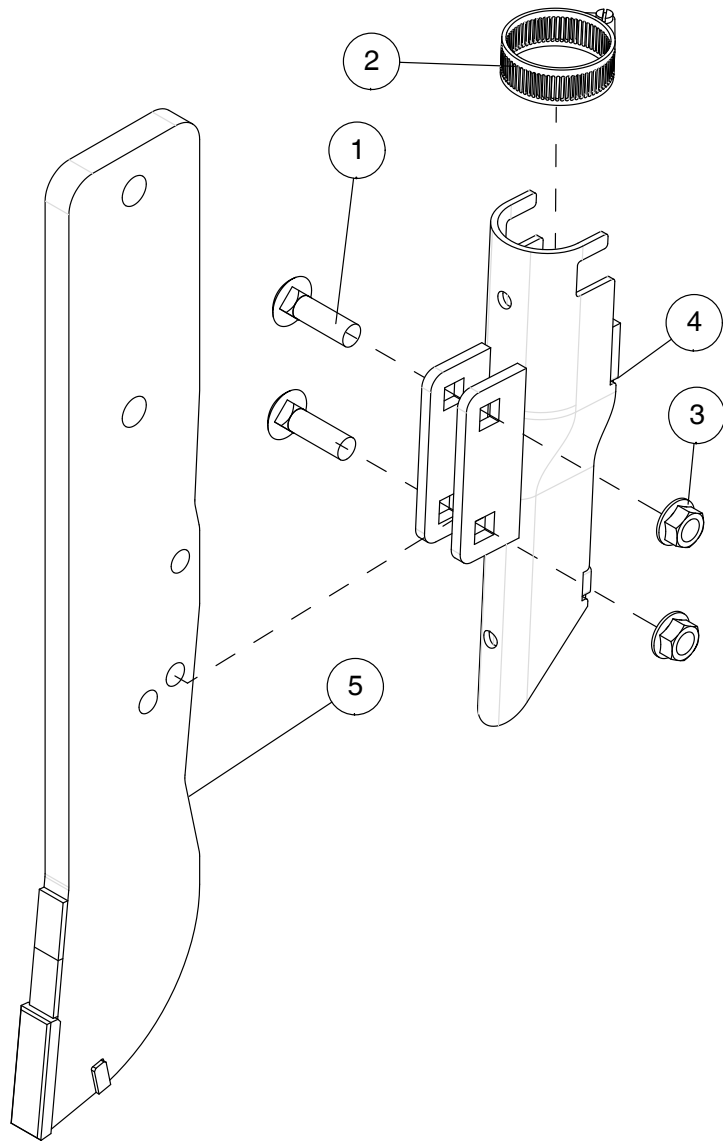
Seed Boot Injected Polymer Right Side Band Kit



Mount the side band openers with the deflector and seed tube facing the center of the QUANTUM Air Drill.

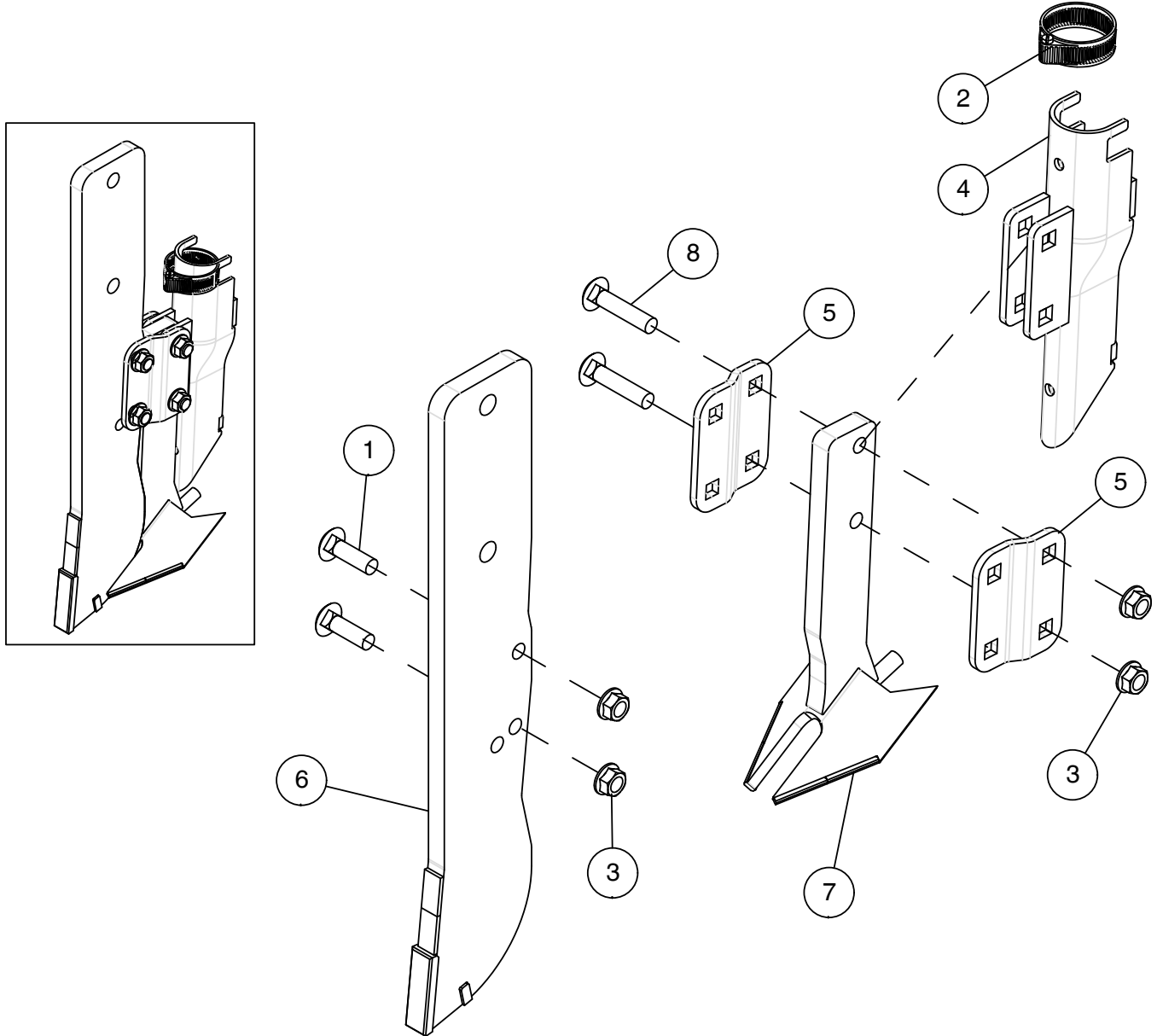
Item	Part No.	Description	Qty
1	S27987	Lock Nut - 3/8 Flange W/Center Lock	2
2	S72308	Forged Shank W/Carbide - Sideband Right LD.....	1
3	S65074	Wear Guard - Claded	1
4	S56483	IP (Injected Polymer) Right Sideband Seed Boot	1
5	W-477	Hex Bolt - 3/8 x 1 1/2 Lg.....	2
6	S47076	Secondary Hose Grommet - 15/16 ID Hose - Prior to 2023.....	2
7	*****	Liquid Tube - 1/4 OD - See Liquid Kit Supplier for Tube.....	1
8	*****	Injector Tube - 1/8 OD - See NH3 Kit Supplier for Tube	1
9	S48814	Compression Fitting - 1/8 x 1/8	1
	S72323	Forged Sideband Boot Kit - Right IP - LD- (Contains Items 1, 2, 3, 4 & 5)	1

Seed Boot Single Shoot



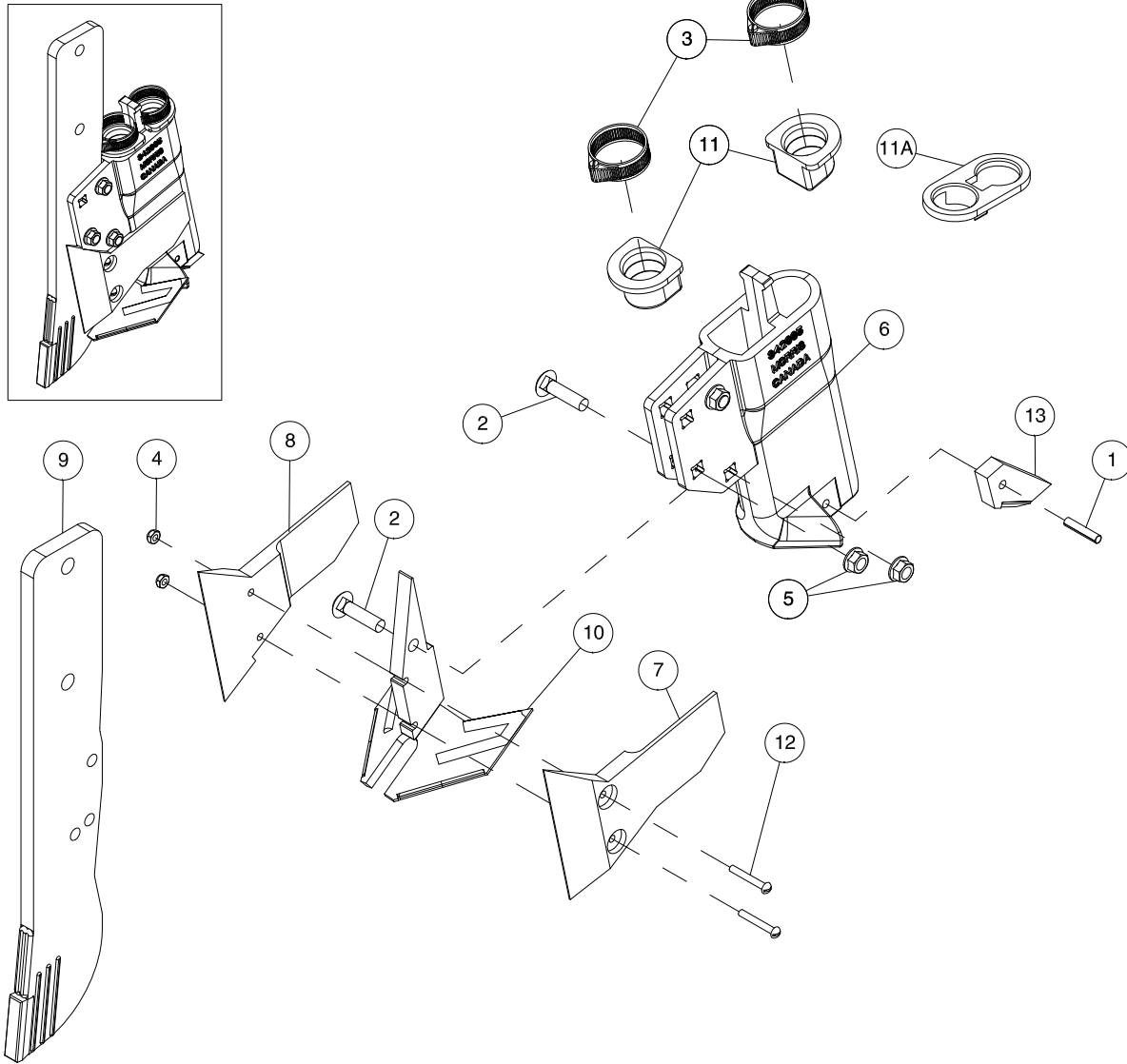
Item	Part No.	Description	Qty
1	D-5260	Carriage Bolt - 3/8 x 1-1/4 Lg	2
2	N11470	Hose Clamp	1
3	S27987	Center Lock Flange Lock Nut - 3/8	2
4	S42865	Single Shoot Boot	1
5	S72310	Forged Shank W/Carbide	1
	S72325	Forged Single Shoot Assembly - (Includes Items 1, 3, 4 and 5)	

Seed Boot Single Shoot 3" Spreader



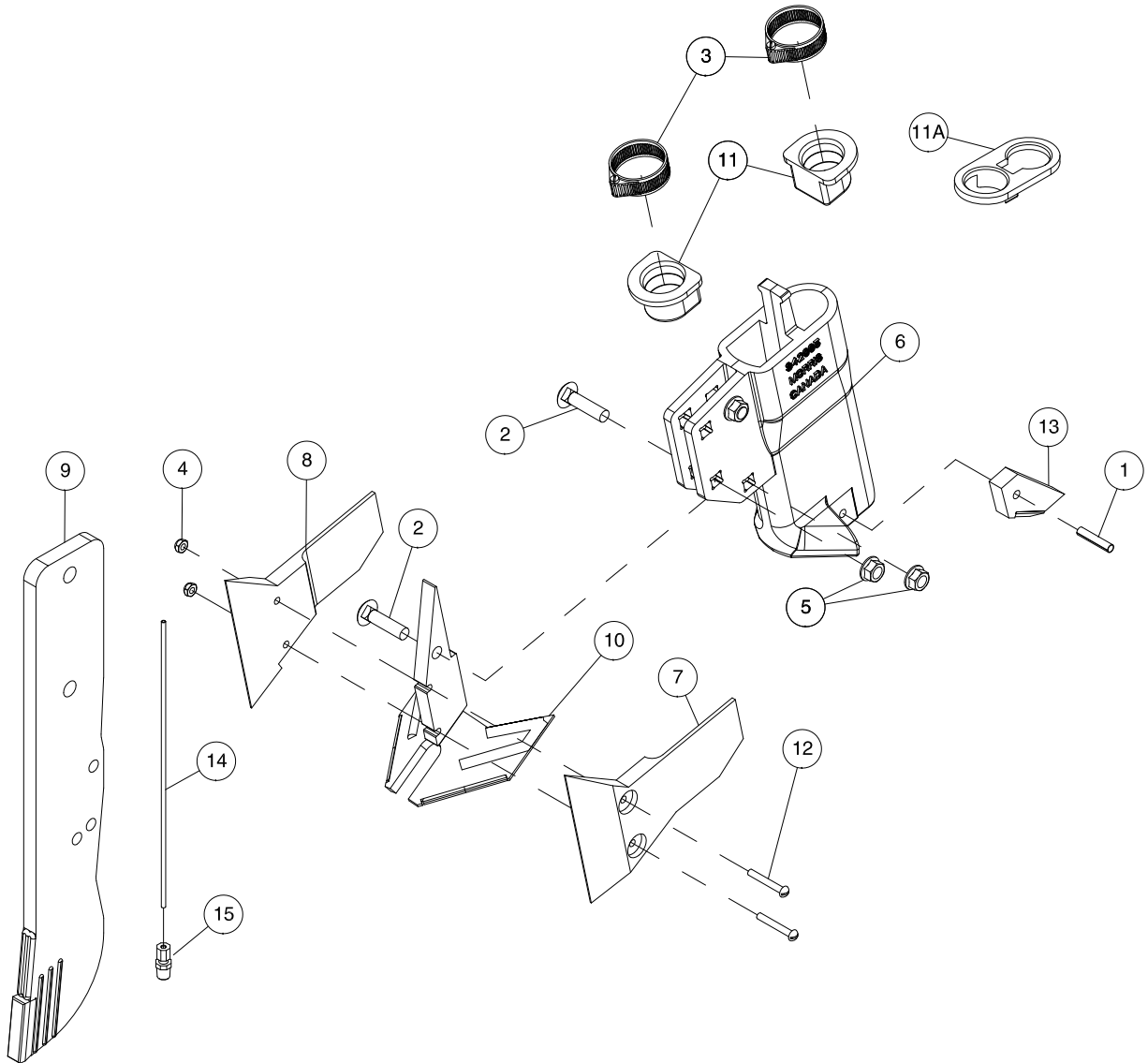
Item	Part No.	Description	Qty
1	D-5260	Carriage Bolt - 3/8 x 1-1/4 Lg	2
2	N11470	Hose Clamp	1
3	S27987	Center Lock Flange Lock Nut - 3/8	4
4	S42865	Single Shoot Boot	1
5	S45269	Mounting Plate	2
6	S72310	Forged Shank W/Carbide	1
7	S47337	3" Wear Shovel	1
8	S31980	Carriage Bolt - 3/8 x 1-3/4 Lg	2

Seed Boot Double Shoot - Paired Row



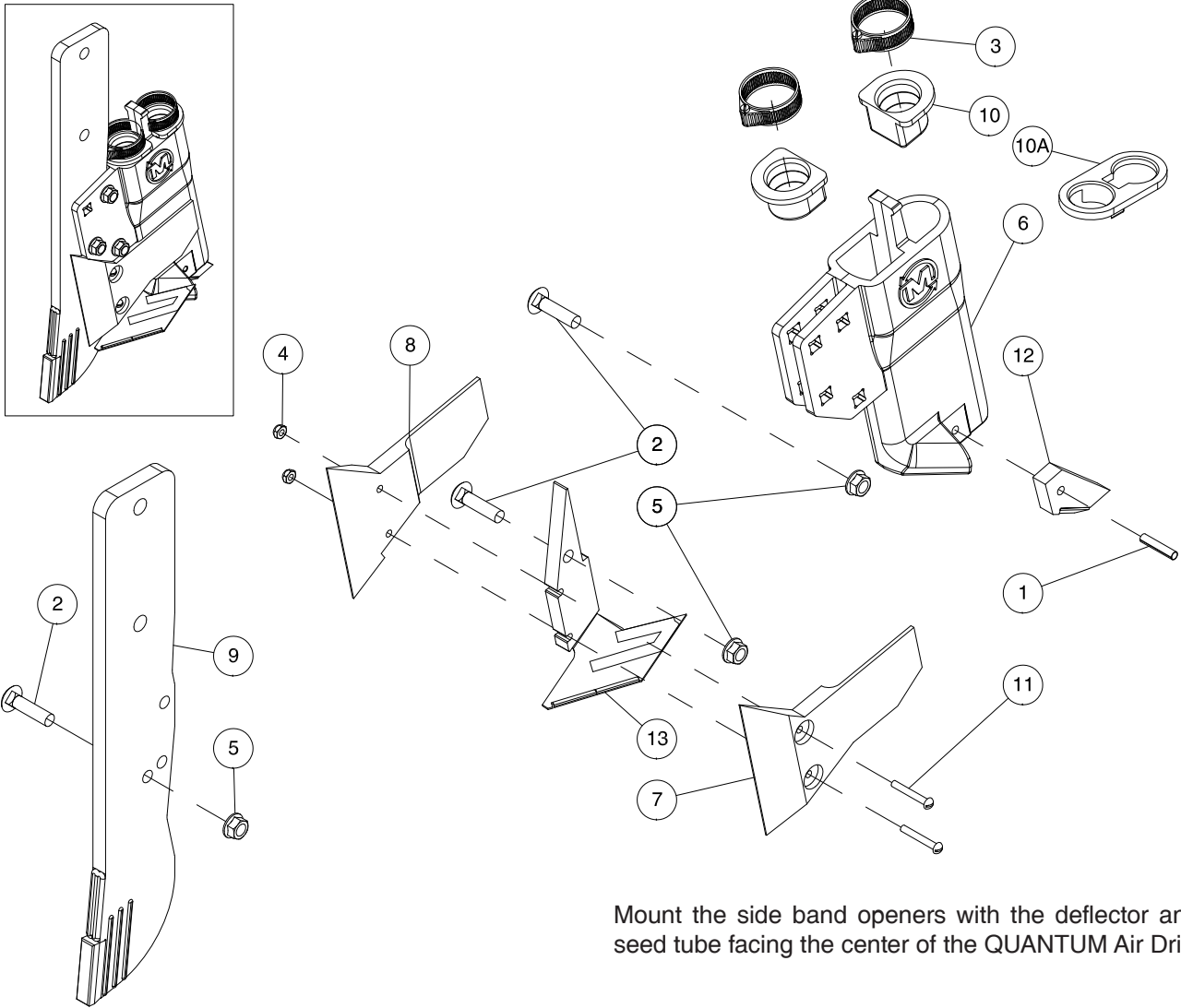
Item	Part No.	Description	Qty
1	D-5243	Roll Pin.....	1
2	D-5261	Carriage Bolt - 3/8 x 1-1/2 Lg	3
3	N11470	Hose Clamp	2
4	N37787	Nylon Insert Locknut - #10-24	2
5	S27987	Center Lock Flange Lock Nut - 3/8	3
6	S42965	Cast Double Shoot Boot	1
7	S45312	Mud Guard Option Left.....	1
8	S45313	Mud Guard Option Right	1
9	S72310	Forged Shank W/Carbide	1
10	S45470	Paired Row Shovel	1
11	S47076	Secondary Hose Grommet Option - 15/16 ID Hose - Prior to 2023	2
11A	S50245	Secondary Hose Grommet Option - 1.125 ID Hose	
12	S47128	Machine Screw - #10-24 x 1 3/8.....	2
13	S47980	Carbide Wear Tail.....	1
	S46181	Kit - Mud Guards (Includes Items 4, 7, 8, and 12)	

Seed Boot Double Shoot - High Pressure NH3 Kit



Item	Part No.	Description	Qty
1	D-5243	Roll Pin.....	1
2	D-5261	Carriage Bolt - 3/8 x 1-1/2 Lg	3
3	N11470	Hose Clamp	2
4	N37787	Nylon Insert Locknut - #10-24	2
5	S27987	Center Lock Flange Lock Nut - 3/8	3
6	S42965	Cast Double Shoot Boot	1
7	S45312	Mud Guard Option Left.....	1
8	S45313	Mud Guard Option Right.....	1
9	S72310	Forged Shank W/Carbide.....	1
10	S45470	Paired Row Shovel.....	1
11	S47076	Secondary Hose Grommet Option - 15/16 ID Hose - Prior to 2023	2
11A	S50245	Secondary Hose Grommet Option - 1.125 ID Hose	
12	S47128	Machine Screw - #10-24 x 1 3/8.....	2
13	S47980	Carbide Wear Tail.....	1
14	S48813	NH3 Injector Tube - 1/8 OD x 10 Lg T304 Stainless Tube	1
15	S48814	Compression Fitting - 1/8 Tube x 1/8 Male Pipe	1
	S46384	Kit - High Pressure Anhydrous (Includes Items 15 and 16)	

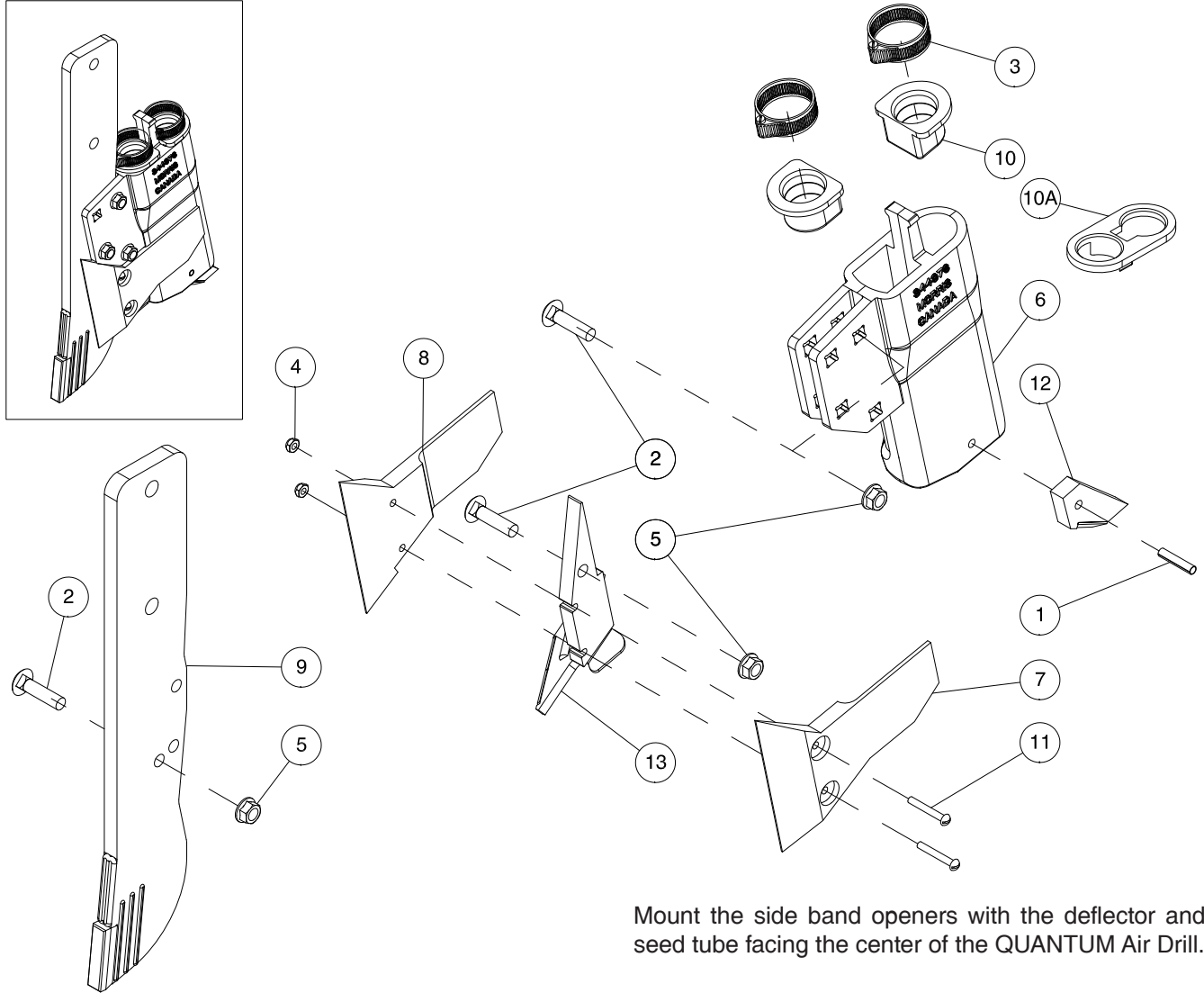
Seed Boot Double Shoot - Side Band - Left



Mount the side band openers with the deflector and seed tube facing the center of the QUANTUM Air Drill.

Item	Part No.	Description	Qty
1	D-5243	Roll Pin.....	1
2	D-5261	Carriage Bolt - 3/8 x 1-1/2 Lg	3
3	N11470	Hose Clamp	2
4	N37787	Nylon Insert Locknut - #10-24	2
5	S27987	Center Lock Flange Lock Nut - 3/8	3
6	S44977	Cast Double Shoot Boot - Side Band - Left.....	1
6A	S51469	Cast Double Shoot Boot - Side Band - Left - Carbide	
7	S45312	Mud Guard Option Left.....	1
8	S45313	Mud Guard Option Right	1
9	S72310	Forged Shank.....	1
10	S47076	Secondary Hose Grommet Option - 15/16 ID Hose - Prior to 2023	2
10A	S50245	Secondary Hose Grommet Option - 1.125 ID Hose	
11	S47128	Machine Screw - #10-24 x 1-3/8.....	2
12	S47980	Carbide Wear Tail.....	1
13	S49536	Side Band Shovel.....	1
	S46181	Kit - Mud Guards (Includes Items 4, 7, 8, and 11)	

Seed Boot Double Shoot - Side Band Boot - Right



Mount the side band openers with the deflector and seed tube facing the center of the QUANTUM Air Drill.

Item	Part No.	Description	Qty
1	D-5243	Roll Pin - 1/4 x 1 1/4 Lg.....	1
2	D-5261	Carriage Bolt - 3/8 x 1-1/2 Lg	3
3	N11470	Hose Clamp	2
4	N37787	Nylon Insert Locknut - #10-24	2
5	S27987	Center Lock Flange Lock Nut - 3/8	3
6	S44976	Cast Double Shoot Boot - Side Band - Right	1
6A	S51470	Cast Double Shoot Boot - Side Band - Right - Carbide	
7	S45312	Mud Guard Option Left.....	1
8	S45313	Mud Guard Option Right	1
9	S72310	Forged Shank.....	1
10	S47076	Secondary Hose Grommet Option - 15/16 ID Hose - Prior to 2023	2
10A	S50245	Secondary Hose Grommet Option- 1.125 ID Hose	
11	S47128	Machine Screw - #10-24 x 1-3/8.....	2
12	S47980	Carbide Wear Tail.....	1
13	S49537	Side Band Shovel - Right.....	1
	S46181	Kit - Mud Guards (Includes Items 4, 7, 8, and 11)	

Notes

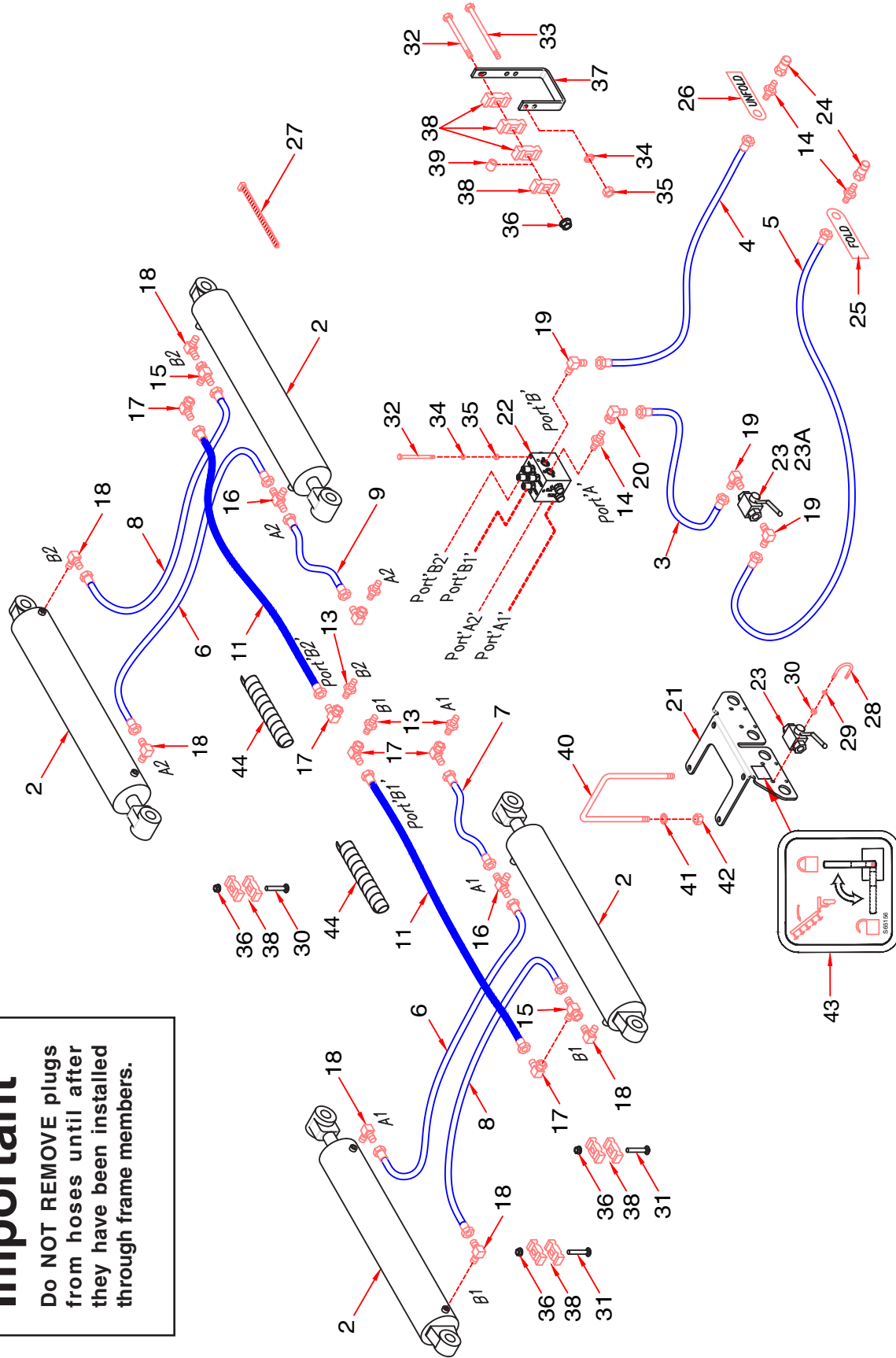
Section 4: Hydraulics

Section Contents

Wing Lift Hydraulics	4-2
40 ft - 12m	4-2
50 ft - 15m	4-4
60 ft and 70 ft - 18m and 21m	4-6
80 ft - 24m	4-8
Wing Valve - 80 ft - 24m	4-10
Tow Behind Cross Tillage Kit.....	4-12
9 Series Cart	4-12
10 Series Cart - One Fan	4-14
10 Series Cart - Two Fans.....	4-16
3 Rank Opener Hydraulics.....	4-18
10 inch Spacing - 40 ft to 70 ft	4-18
250 mm Spacing - 12 m to 21 m	4-20
12 inch Spacing - 40 ft to 70 ft.....	4-22
300 mm Spacing - 12 m to 21 m.....	4-24
15 inch (380 mm) Spacing - 40 ft to 70 ft	4-26
Four Rank Hydraulic Option - 10 inch Spacing.....	4-28
- 40 ft Model	4-28
- 50 ft Model	4-30
- 60 ft Model	4-32
- 70 ft Model	4-34
- 80 ft Model	4-36
Four Rank Hydraulic Option - 12 inch Spacing.....	4-38
- 40 ft Model	4-38
- 50 ft Model	4-40
- 60 ft Model	4-42
- 70 ft Model	4-44
- 80 ft Model	4-46
Accumulator Hydraulic Option	4-48
Option 1 - Single Large Accumulator	4-48
Option 2 - Multiple Small Accumulators	4-50
Cylinder Seal Kits	4-52
Pressure Control	4-53
JEM - Pressure Control System	4-53
9 Series Apollo - Lift and Pressure Control Kit - Prior to 2022.....	4-54
9 Series Apollo - Lift and Pressure Control Kit - 2022 to Present	4-56
10 Series Apollo - Lift and Pressure Control Kit.....	4-58
Wing Lift Valve Block.....	4-60
Opener Valve Block	4-61
2018-2019.....	4-61
2020 to present	4-62

Wing Lift Hydraulics 40 ft - 12m

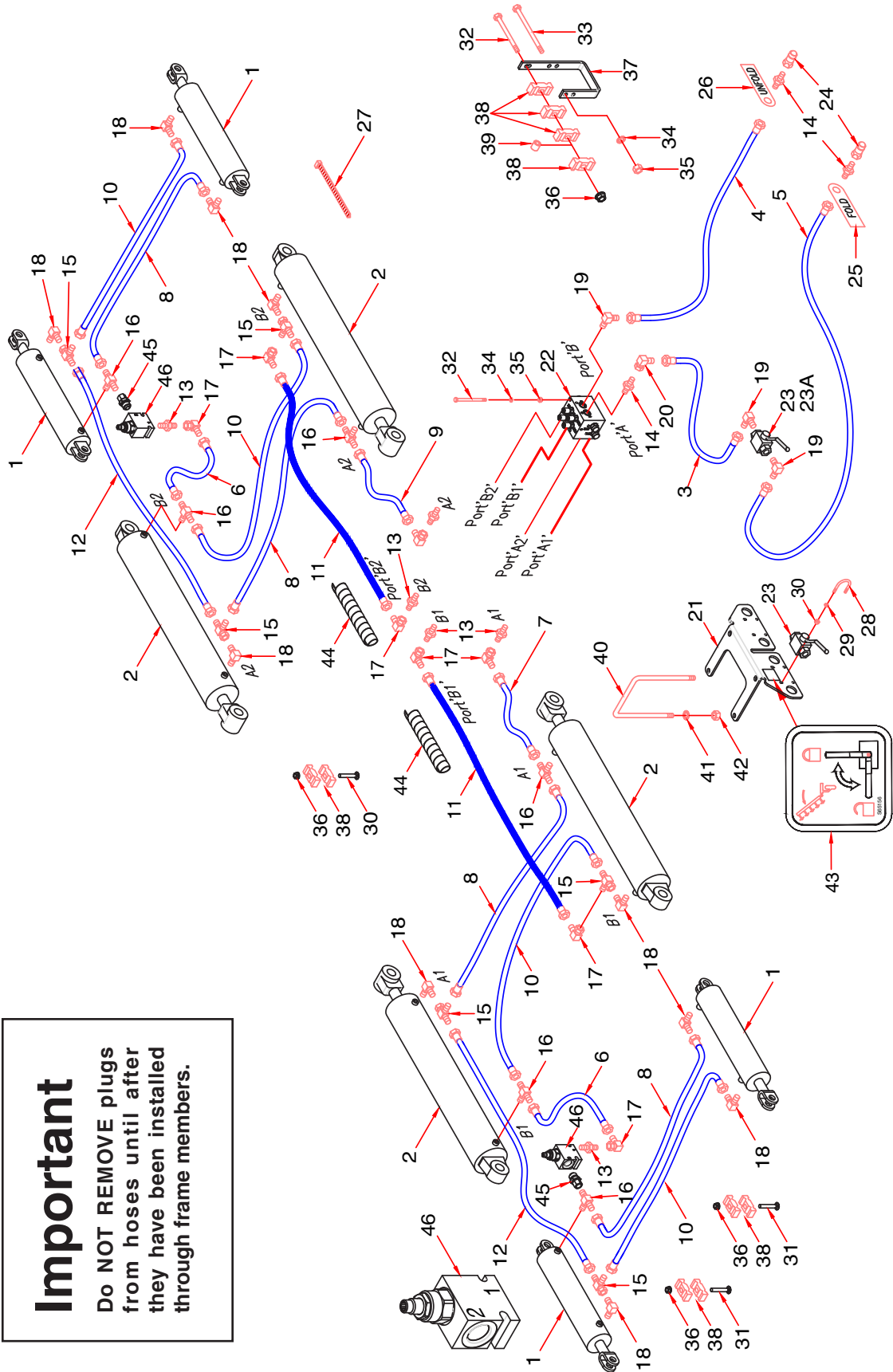
Important
Do NOT REMOVE plugs from hoses until after they have been installed through frame members.



Wing Lift Hydraulics - 40 ft - 12m

Item	Part No.	Description	Qty
1	*****		
2	C64930	Cylinder - 5 x 36.....	4
	C64920	Cylinder - 6 x 36 - Prior to November 2018	
3	N53211	Hyd Hose - 1/2 x 120 Lg - 7/8-14 FJIC Ends.....	1
4	S39539	Hyd Hose - 1/2 x 330 Lg - 7/8-14 FJIC Ends.....	1
5	C29565	Hyd Hose - 1/2 x 360 Lg - 7/8-14 FJIC Ends.....	1
6	S65408	Hyd Hose - 3/8 x 96 Lg - #6 9/16-18 FJIC Ends.....	2
7	S65409	Hyd Hose - 3/8 x 108 Lg - 9/16-18 FJIC Ends.....	1
8	S65421	Hyd Hose - 3/8 x 132 Lg - #6 9/16-18 FJIC Ends.....	2
9	S65419	Hyd Hose - 3/8 x 120 Lg - #6 9/16-18 FJIC Ends.....	1
10	*****		
11	S65398	Hyd Hose - 3/8 x 150 Lg - #6 9/16-18 FJIC Ends.....	2
12	*****		
13	C15348	Connector - 3/4-16 MORB x 9/16-18 MJIC.....	4
14	C14840	Connector - 3/4-16 MORB x 7/8-14 MJIC.....	3
15	C-4403	Swivel Tee - (2) 9/16-18 MJIC x (1) 9/16-18 FJIC (MMF).....	2
16	N31908	Swivel Tee - (2) 9/16-18 MJIC x (1) 9/16-18 MORB.....	2
17	S29967	90 Elbow - Swivel - 9/16-18 (#06) FJIC x 9/16-18 (#06) MJIC.....	6
18	N16143	90 Elbow - 9/16-18 (#06) MJIC x 9/16-18 (#06) MORB.....	6
19	C24585	90 Elbow - 7/8-14 MJIC x 3/4-16 MORB.....	3
20	K-5806	90 Elbow - 7/8-14 FJIC x 7/8-14 MJIC.....	1
21	S65129	Multi-Valve Mounting Plate.....	1
22	C53849	Manifold - Pressure Compensated Flow Control.....	1
23	N42880	Valve - 2 Way Ball.....	1
23A	N42881	Handle - Valve.....	1
24	N34443	Male Pioneer Tip - 3/4-16 ORB - Series B.....	2
25	S29960	Tag - Hose ID - Wing Lift - FOLD.....	1
26	S29961	Tag - Hose ID - Wing Lift - UNFOLD.....	1
27	D-4951	Nylon Tie Strap - 3/16 x 7 3/8.....	80
28	N34319	U-Bolt - 1/4 x 1 1/2 x 1 3/4 Lg.....	2
29	W-521	Lockwasher - 1/4.....	4
30	W-512	Hex Nut - 1/4.....	4
31	W14501	Carriage Bolt - 3/8 x 2 1/4 Lg.....	4
32	C-3918	Hex Bolt - 3/8 x 5 Lg.....	6
33	N19678	Hex Bolt - 3/8 x 7 Lg.....	4
34	W-523	Lockwasher - 3/8.....	6
35	W-514	Hex Nut - 3/8.....	6
36	S27987	Locknut - 3/8 Flanged Centre Lock.....	8
37	S65128	Oil Line Bracket.....	4
38	C-4698	Oil Line Clamp.....	24
39	N16257	Bushing - Spacer.....	4
40	H25628	U-Bolt - 1/2 x 6 x 9 3/8 Lg.....	2
41	W-525	Lockwasher - 1/2.....	4
42	W-516	Hex Nut - 1/2.....	4
43	S65156	Decal ISO - Wings Lock.....	1
44	N56957	Flex Hose Cover - 1 1/2 Dia x 48 Lg - Flexible Coil.....	2

Wing Lift Hydraulics 50 ft - 15m

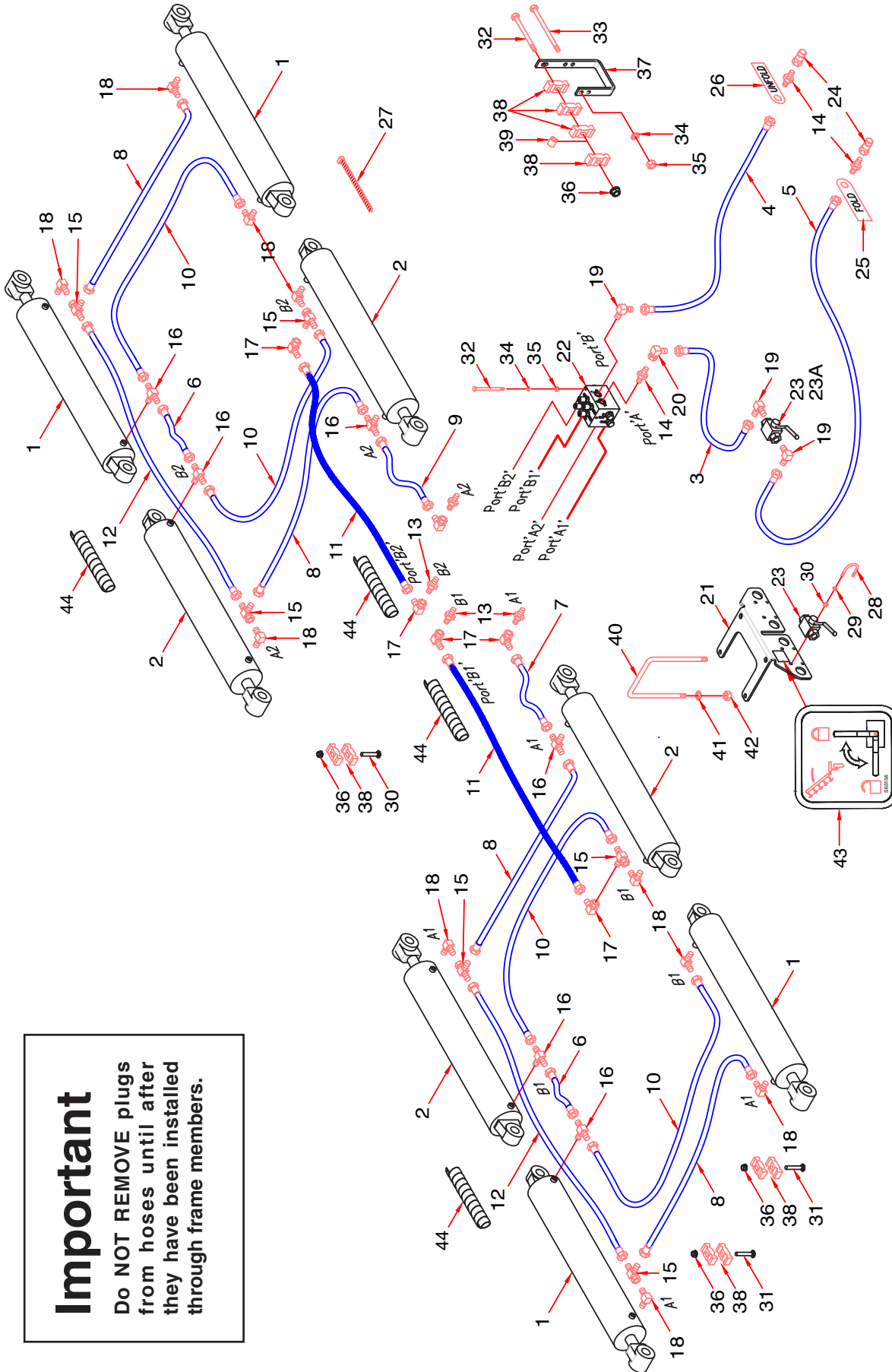


Important
Do NOT REMOVE plugs from hoses until after they have been installed through frame members.

Wing Lift Hydraulics - 50 ft - 15m

Item	Part No.	Description	Qty
1	C65366	Cylinder - 4 1/2 x 18 (50 ft)	4
2	C64930	Cylinder - 5 x 36.....	4
	C64920	Cylinder - 6 x 36 - Prior to November 2018	
3	N53211	Hyd Hose - 1/2 x 120 Lg - /7/8-14 FJIC Ends.....	1
4	S39539	Hyd Hose - 1/2 x 330 Lg - 7/8-14 FJIC Ends.....	1
5	C29565	Hyd Hose - 1/2 x 360 Lg - 7/8-14 FJIC Ends.....	1
6	S65397	Hyd Hose - 3/8 x 80 Lg - 9/16-18 FJIC Ends (50 ft)	2
7	S65409	Hyd Hose - 3/8 x 108 Lg - 9/16-18 FJIC Ends.....	1
8	S65408	Hyd Hose - 3/8 x 96 Lg - #6 9/16-18 FJIC Ends.....	4
9	S65419	Hyd Hose - 3/8 x 120 Lg - #6 9/16-18 FJIC Ends.....	1
10	S65421	Hyd Hose - 3/8 x 132 Lg - #6 9/16-18 FJIC Ends.....	4
11	S65398	Hyd Hose - 3/8 x 150 Lg - #6 9/16-18 FJIC Ends.....	2
12	S65411	Hyd Hose - 3/8 x 168 Lg - #6 9/16-18 FJIC Ends (50 ft).....	2
13	C15348	Connector - 3/4-16 MORB x 9/16-18 MJIC.....	6
14	C14840	Connector - 3/4-16 MORB x 7/8-14 MJIC.....	3
15	C-4403	Swivel Tee - (2) 9/16-18 MJIC x (1) 9/16-18 FJIC (MMF).....	6
16	N31908	Swivel Tee - (2) 9/16-18 MJIC x (1) 9/16-18 MORB	6
17	S29967	90 Elbow - Swivel - 9/16-18 (#06) FJIC x 9/16-18 (#06) MJIC	8
18	N16143	90 Elbow - 9/16-18 (#06) MJIC x 9/16-18 (#06) MORB	10
19	C24585	90 Elbow - 7/8-14 MJIC x 3/4-16 MORB.....	3
20	K-5806	90 Elbow - 7/8-14 FJIC x 7/8-14 MJIC.....	1
21	S65129	Multi-Valve Mounting Plate	1
22	C53849	Manifold - Pressure Compensated Flow Control.....	1
23	N42880	Valve - 2 Way Ball	1
23A	N42881	Handle - Valve.....	1
24	N34443	Male Pioneer Tip - 3/4-16 ORB - Series B.....	2
25	S29960	Tag - Hose ID - Wing Lift - FOLD	1
26	S29961	Tag - Hose ID - Wing Lift - UNFOLD	1
27	D-4951	Nylon Tie Strap - 3/16 x 7 3/8.....	80
28	N34319	U-Bolt - 1/4 x 1 1/2 x 1 3/4 Lg.....	2
29	W-521	Lockwasher - 1/4	4
30	W-512	Hex Nut - 1/4.....	4
31	W14501	Carriage Bolt - 3/8 x 2 1/4 Lg.....	8
32	C-3918	Hex Bolt - 3/8 x 5 Lg	6
33	N19678	Hex Bolt - 3/8 x 7 Lg	4
34	W-523	Lockwasher - 3/8	6
35	W-514	Hex Nut - 3/8.....	6
36	S27987	Locknut - 3/8 Flanged Centre Lock.....	12
37	S65128	Oil Line Bracket	4
38	C-4698	Oil Line Clamp.....	32
39	N16257	Bushing - Spacer	4
40	H25628	U-Bolt - 1/2 x 6 x 9 3/8 Lg.....	2
41	W-525	Lockwasher - 1/2	4
42	W-516	Hex Nut - 1/2.....	4
43	S65156	Decal ISO - Wings Lock.....	1
44	N56957	Flex Hose Cover - 1 1/2 Dia x 48 Lg - Flexible Coil	2
45	S68920	Connector - 3/4-16 (#08) MORB x 9/16-18 (#06) FJIC.....	2
46	S68925	Valve - Flow Control.....	2

Wing Lift Hydraulics 60 ft and 70 ft - 18m and 21m



Important
Do NOT REMOVE plugs from hoses until after they have been installed through frame members.

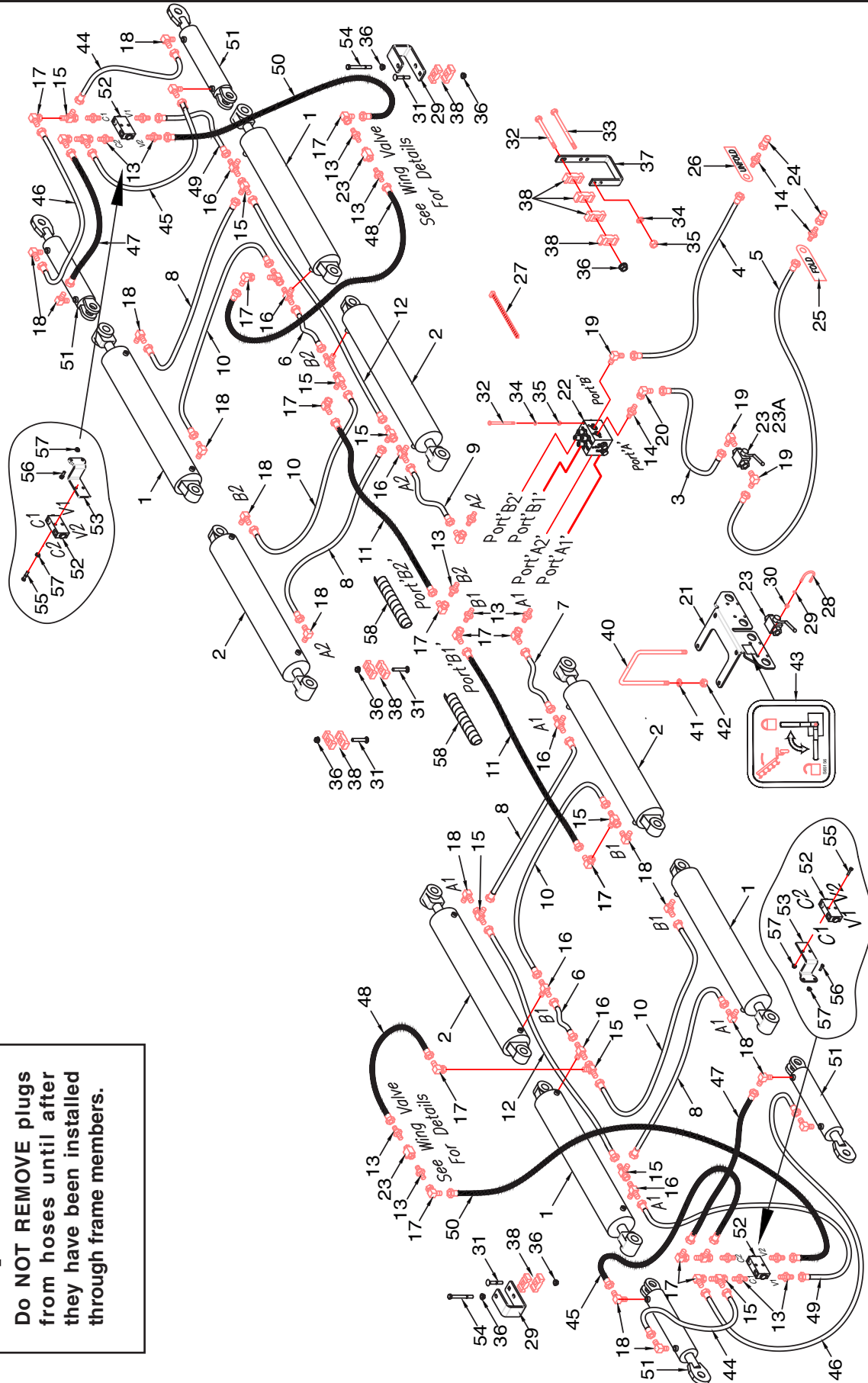
Wing Lift Hydraulics - 60 ft and 70 ft - 18m and 21m

Item	Part No.	Description	Qty
1	C64930	Cylinder - 5 x 36 (60 ft & 70 ft)	4
2	C64920	Cylinder - 6 x 36.....	4
3	N53211	Hyd Hose - 1/2 x 120 Lg - /7/8-14 FJIC Ends.....	1
4	S39539	Hyd Hose - 1/2 x 330 Lg - 7/8-14 FJIC Ends.....	1
5	C29565	Hyd Hose - 1/2 x 360 Lg - 7/8-14 FJIC Ends.....	1
6	S44353	Hyd Hose - 3/8 x 48 Lg - #6 9/16-18 FJIC Ends (60 ft)	2
	S65407	Hyd Hose - 3/8 x 72 Lg - 9/16-18 FJIC Ends (70 ft)	2
7	S65409	Hyd Hose - 3/8 x 108 Lg - 9/16-18 FJIC Ends.....	1
8	S65408	Hyd Hose - 3/8 x 96 Lg - #6 9/16-18 FJIC Ends.....	4
9	S65419	Hyd Hose - 3/8 x 120 Lg - #6 9/16-18 FJIC Ends.....	1
10	S65421	Hyd Hose - 3/8 x 132 Lg - #6 9/16-18 FJIC Ends.....	4
11	S65398	Hyd Hose - 3/8 x 150 Lg - #6 9/16-18 FJIC Ends.....	2
12	S65420	Hyd Hose - 3/8 x 126 Lg - #6 9/16-18 FJIC Ends (60 ft).....	2
	S65398	Hyd Hose - 3/8 x 150 Lg - #6 9/16-18 FJIC Ends (70 ft).....	2
13	C15348	Connector - 3/4-16 MORB x 9/16-18 MJIC	4
14	C14840	Connector - 3/4-16 MORB x 7/8-14 MJIC	3
15	C-4403	Swivel Tee - (2) 9/16-18 MJIC x (1) 9/16-18 FJIC (MMF).....	6
16	N31908	Swivel Tee - (2) 9/16-18 MJIC x (1) 9/16-18 MORB	6
17	S29967	90 Elbow - Swivel - 9/16-18 (#06) FJIC x 9/16-18 (#06) MJIC.....	6
18	N16143	90 Elbow - 9/16-18 (#06) MJIC x 9/16-18 (#06) MORB	10
19	C24585	90 Elbow - 7/8-14 MJIC x 3/4-16 MORB.....	3
20	K-5806	90 Elbow - 7/8-14 FJIC x 7/8-14 MJIC.....	1
21	S65129	Multi-Valve Mounting Plate	1
22	C53849	Manifold - Pressure Compensated Flow Control.....	1
23	N42880	Valve - 2 Way Ball	1
23A	N42881	Handle - Valve.....	1
24	N34443	Male Pioneer Tip - 3/4-16 ORB - Series B	2
25	S29960	Tag - Hose ID - Wing Lift - FOLD	1
26	S29961	Tag - Hose ID - Wing Lift - UNFOLD	1
27	D-4951	Nylon Tie Strap - 3/16 x 7 3/8.....	80
28	N34319	U-Bolt - 1/4 x 1 1/2 x 1 3/4 Lg.....	2
29	W-521	Lockwasher - 1/4	4
30	W-512	Hex Nut - 1/4.....	4
31	W14501	Carriage Bolt - 3/8 x 2 1/4 Lg.....	8
32	C-3918	Hex Bolt - 3/8 x 5 Lg	6
33	N19678	Hex Bolt - 3/8 x 7 Lg	4
34	W-523	Lockwasher - 3/8	6
35	W-514	Hex Nut - 3/8.....	6
36	S27987	Locknut - 3/8 Flanged Centre Lock.....	12
37	S65128	Oil Line Bracket	4
38	C-4698	Oil Line Clamp.....	32
39	N16257	Bushing - Spacer	4
40	H25628	U-Bolt - 1/2 x 6 x 9 3/8 Lg.....	2
41	W-525	Lockwasher - 1/2	4
42	W-516	Hex Nut - 1/2.....	4
43	S65156	Decal ISO - Wings Lock.....	1
44	N56957	Flex Hose Cover - 1 1/2 Dia x 48 Lg - Flexible Coil	4

Wing Lift Hydraulics 80 ft - 24m

Important

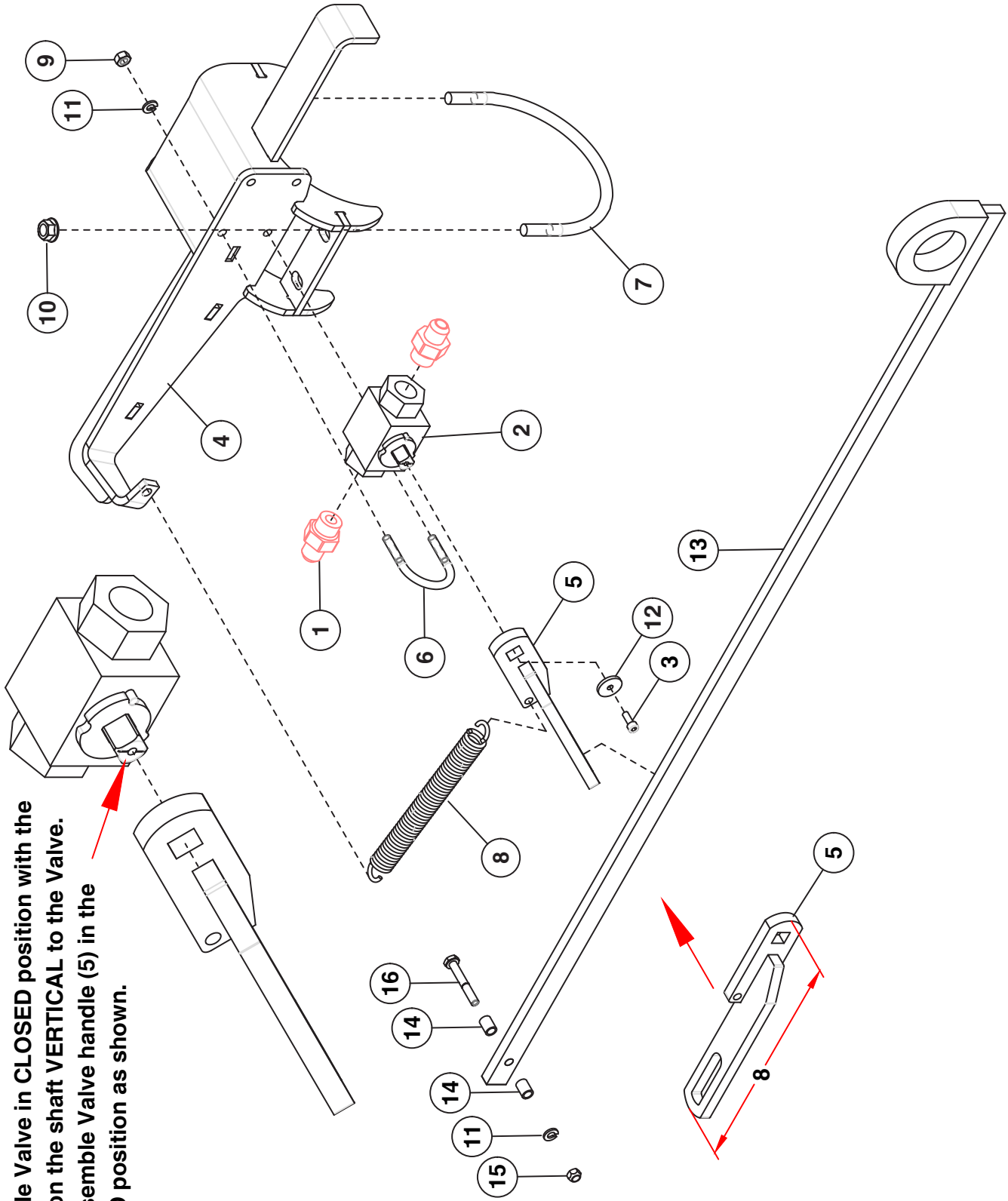
Do NOT REMOVE plugs from hoses until after they have been installed through frame members.



Wing Lift Hydraulics - 80 ft - 24m

Item	Part No.	Description	Qty
1	C64930	Cylinder - 5 x 36.....	4
2	C64920	Cylinder - 6 x 36.....	4
3	N53211	Hyd Hose - 1/2 x 120 Lg - #10 7/8-14 FJIC Ends.....	1
4	S39539	Hyd Hose - 1/2 x 330 Lg - #10 7/8-14 FJIC Ends.....	1
5	C29565	Hyd Hose - 1/2 x 360 Lg - #10 7/8-14 FJIC Ends.....	1
6	S44353	Hyd Hose - 3/8 x 48 Lg - #6 9/16-18 FJIC Ends.....	2
7	S73160	Hyd Hose - 3/8 x 145 Lg - #6 9/16-18 FJIC Ends.....	1
8	S65408	Hyd Hose - 3/8 x 96 Lg - #6 9/16-18 FJIC Ends.....	4
9	S73161	Hyd Hose - 3/8 x 157 Lg - #6 9/16-18 FJIC Ends.....	1
10	S65421	Hyd Hose - 3/8 x 132 Lg - #6 9/16-18 FJIC Ends.....	4
11	S73159	Hyd Hose - 3/8 x 185 Lg - #6 9/16-18 FJIC Ends.....	2
12	S65420	Hyd Hose - 3/8 x 126 Lg - #6 9/16-18 FJIC Ends.....	2
13	C15348	Connector - 3/4-16 MORB x #6 9/16-18 MJIC.....	16
14	C14840	Connector - #8 3/4-16 MORB x #10 7/8-14 MJIC.....	3
15	C-4403	Swivel Tee - (2) 9/16-18 MJIC x (1) 9/16-18 FJIC (MMF).....	12
16	N31908	Swivel Tee - (2) 9/16-18 MJIC x (1) 9/16-18 MORB.....	8
17	S29967	90 Elbow - Swivel - 9/16-18 (#06) FJIC x 9/16-18 (#06) MJIC.....	14
18	N16143	90 Elbow - 9/16-18 (#06) MJIC x 9/16-18 (#06) MORB.....	16
19	C24585	90 Elbow - 7/8-14 MJIC x 3/4-16 MORB.....	3
20	K-5806	90 Elbow - 7/8-14 FJIC x 7/8-14 MJIC.....	1
21	S65129	Multi-Valve Mounting Plate.....	1
22	C53849	Manifold - Pressure Compensated Flow Control.....	1
23	N42880	Valve - 2 Way Ball.....	3
23A	N42881	Handle - Valve.....	1
24	N34443	Male Pioneer Tip - 3/4-16 ORB - Series B.....	2
25	S29960	Tag - Hose ID - Wing Lift - FOLD.....	1
26	S29961	Tag - Hose ID - Wing Lift - UNFOLD.....	1
27	D-4951	Nylon Tie Strap - 3/16 x 7 3/8.....	80
28	N34319	U-Bolt - 1/4 x 1 1/2 x 1 3/4 Lg.....	2
29	S72949	Oil Line Bracket.....	2
30	W-512	Hex Nut - 1/4.....	4
31	W14501	Carriage Bolt - 3/8 x 2 1/4 Lg.....	14
32	C-3918	Hex Bolt - 3/8 x 5 Lg.....	6
33	N19678	Hex Bolt - 3/8 x 7 Lg.....	4
34	W-523	Lockwasher - 3/8.....	6
35	W-514	Hex Nut - 3/8.....	6
36	S27987	Locknut - 3/8 Flanged Centre Lock.....	18
37	S65128	Oil Line Bracket.....	4
38	C-4698	Oil Line Clamp.....	32
39	N16257	Bushing - Spacer.....	4
40	H25628	U-Bolt - 1/2 x 6 x 9 3/8 Lg.....	2
41	W-525	Lockwasher - 1/2.....	4
42	W-516	Hex Nut - 1/2.....	4
43	S65156	Decal ISO - Wings Lock.....	1
44	S73152	Hyd Hose - 3/8 x 26 Lg - #6 9/16-18 FJIC Ends.....	2
45	S73153	Hyd Hose - 3/8 x 18 Lg - #6 9/16-18 FJIC Ends.....	2
46	S73154	Hyd Hose - 3/8 x 98 Lg - #6 9/16-18 FJIC Ends.....	2
47	S73155	Hyd Hose - 3/8 x 94 Lg - #6 9/16-18 FJIC Ends.....	2
48	S73156	Hyd Hose - 3/8 x 32 Lg - #6 9/16-18 FJIC Ends.....	2
49	S73157	Hyd Hose - 3/8 x 122 Lg - #6 9/16-18 FJIC Ends.....	2
50	S73158	Hyd Hose - 3/8 x 130 Lg - #6 9/16-18 FJIC Ends.....	2
51	C72344	Cylinder - 4 x 14.....	4
52	K68627	Valve Block - Dual Pilot Check.....	2
53	S72948	Valve Mount.....	2
54	W-481	Hex Head Bolt - 3/8 x 3 1/2 Lg.....	2
55	W-478	Hex Bolt - 3/8 x 2 Lg.....	4
56	W-187	Hex Bolt - 3/8 x 1 1/4 Lg.....	4
57	D-5279	Locknut - 3/8 Flanged.....	8
58	N56957	Flex Hose Cover - 1 1/2 Dia x 48 Lg - Flexible Coil.....	2

Wing Lift Hydraulics Wing Valve - 80 ft - 24m

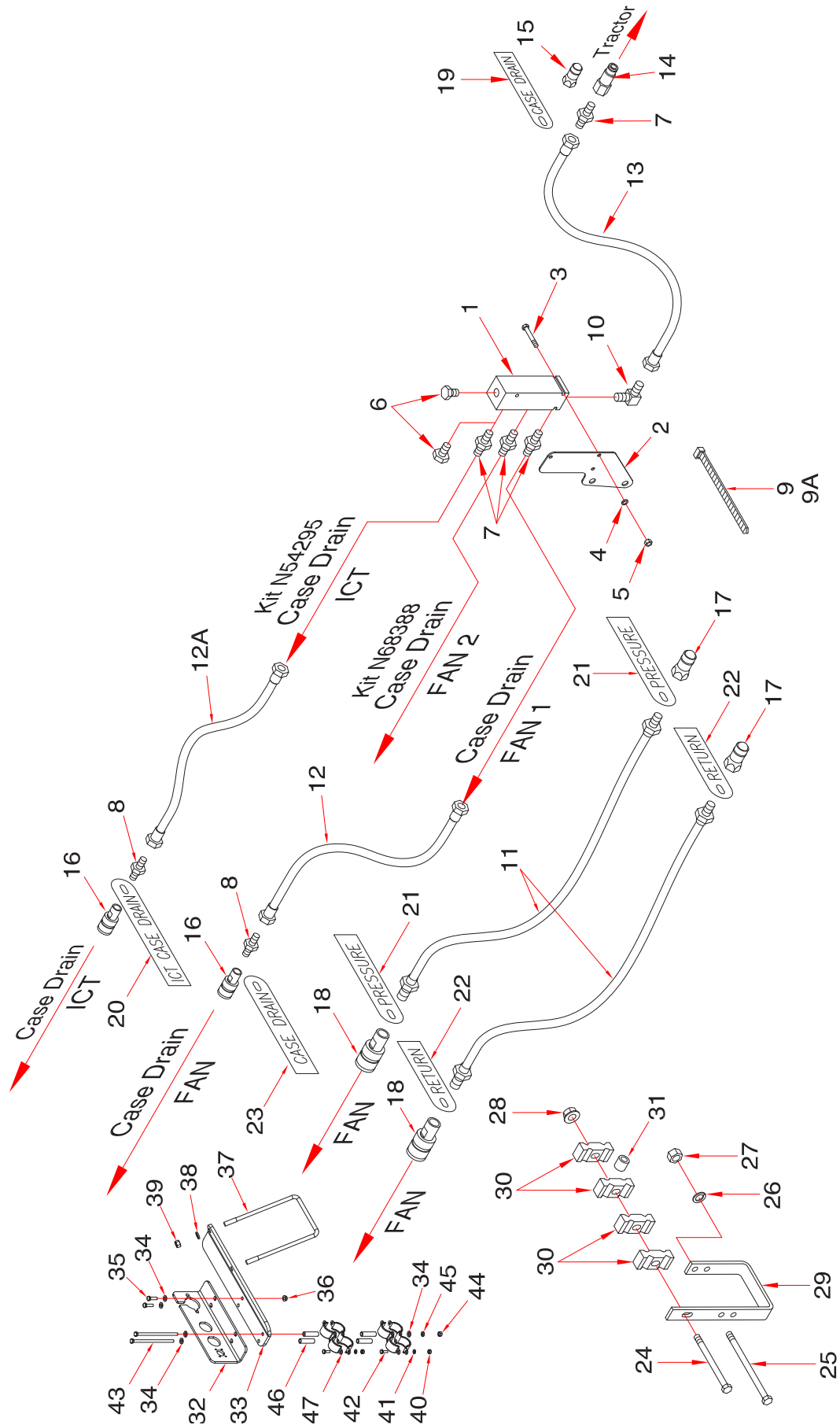


Note: Assemble Valve in CLOSED position with the groove on the shaft VERTICAL to the Valve. Also assemble Valve handle (5) in the CLOSED position as shown.

**Wing Lift Hydraulics
Wing Valve - 80 ft - 24m**

Item	Part No.	Description	Qty
1	C15348	Connector - 3/4-16 MORB x 9/16-18 MJIC	2
2	N42880	Lock Valve.....	1
3	S39548	Socket Head Capscrew - #10 x 1/2 Lg.....	1
4	S73105	Bracket - Shut Off Valve	1
5	S72770	Handle - Valve.....	1
6	N34319	U-Bolt - 1/4 x 1 1/2 x 1 3/4 Lg.....	2
7	S47597	U-Bolt - 3/8 x 5 1/2 Dia x 5 1/8 Lg	2
8	D-5054	Spring	1
9	W-512	Hex Nut - 1/4.....	4
10	D-5279	Lock Nut - 3/8	4
11	W-521	Lockwasher - 1/4	5
12	S39549	Washer - 3/16 ID x 13/16 OD x 12 Ga	1
13	S72735	Actuator Rod - 44 7/8 Lg .. (42 3/8 C-C Distance)	1
14	S72946	Spacer - 0.277 ID x 3/8 OD x 1/2 Lg	2
15	N22778	Lock Nut - 1/4 Nylon Insert.....	1
16	C-1471	Hex Bolt - 1/4 x 1 3/4 Lg	1

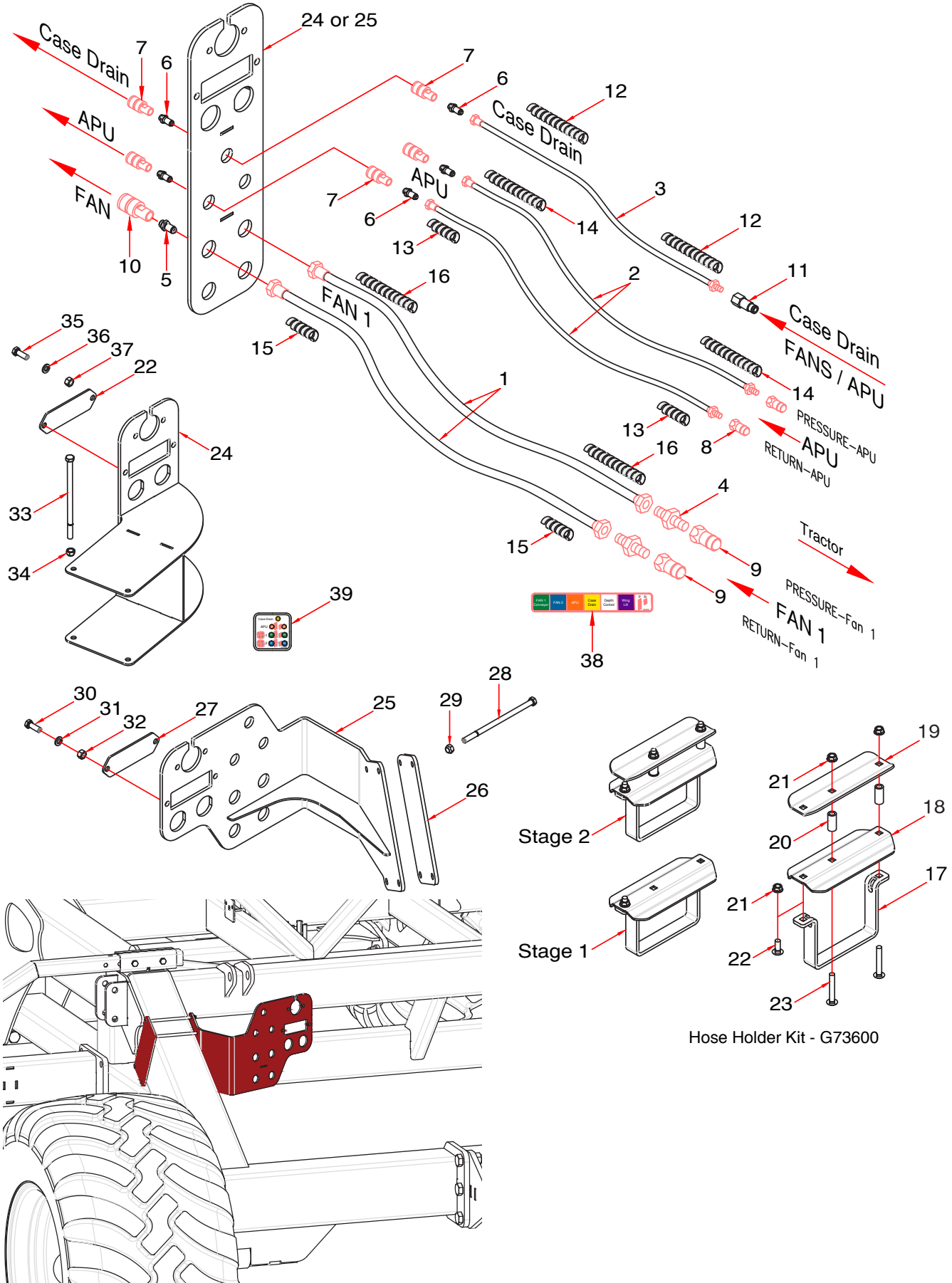
Tow Behind Cross Tillage Kit 9 Series Cart



Tow Behind Cross Tillage Kit - 9 Series Cart

Item	Part No.	Description	Qty
1	N58670	Case Drain Header	1
2	N58671	Plate - Case Drain Header Mount.....	1
3	C15319	Hex Bolt - 1/4 x 2 1/2 Lg	3
4	W-521	Lockwasher - 1/4	3
5	W-512	Hex Nut - 1/4.....	3
6	C28505	Plug - 3/4-16 MORB - Used on Ports not in use on Case Drain Header	3
7	C14840	Connector - 3/4-16 MORB x 7/8-14 MJIC	4
8	N34505	Connector - Swivel - 7/8-14 MORB x 7/8-14 MJIC	1
9	D-4951	Nylon Tie Strap - 3/16 x 7 3/8 Lg	6
9A	D-4838	Nylon Tie Strap - 5/16 x 14 1/2 Lg.....	10
10	N34646	90 Elbow - 7/8-14 MJIC x 1 1/16-12 MORB.....	1
11	N68395	Hyd Hose - 3/4 x 480 Lg w/1 1/16-12 MORB	2
12	N68390	Hyd Hose - 3/8 x 408 Lg w/7/8-14 FJIC x 7/8-14 FJIC Swivel End.....	1
12A	N50088	Hyd Hose - 3/8 x 396 Lg w/7/8-14 FJIC x 7/8-14 FJIC (ICT Case Drain).....	1
13	F-4565	Hyd Hose - 1/2 x 60 Lg w/7/8-14 FJIC	1
14	K50834	3/8 Flat Face Tip - 3/4-16 FORB	1
15	N34443	1/2 Male Pioneer Tip - 3/4-16 FORB - Series B.....	1
16	N34488	1/2 Pioneer Coupler - 7/8-14 FORB - Series B.....	1
17	N37914	3/4 Male Tip - 1 1/16-12 FORB - Series B	2
18	N37915	3/4 Female Coupler - 1 1/16-12 FORB - Series B	2
19	S44468	Tag - Hose ID - Reducing Valve - CASE DRAIN	1
20	N58343	Tag - Hose ID - ICT - CASE DRAIN.....	1
21	N34576	Tag - Hose ID - Air Tank - Fan/Auger - PRESSURE	2
21A	N58340	Tag - Hose ID - Air Tank - Fan 2 - PRESSURE	2
22	N34577	Tag - Hose ID - Air Tank - Fan/Auger - RETURN.....	2
22A	N58341	Tag - Hose ID - Air Tank - Fan 2 - RETURN.....	2
23	N34578	Tag - Hose ID - Air Tank - Fan/Auger - CASE DRAIN.....	2
23A	N58342	Tag - Hose ID - Air Tank - Fan 2 - CASE DRAIN	2
24	C-3918	Hex Bolt - 3/8 x 5 Lg	6
25	N19678	Hex Bolt - 3/8 x 7 Lg	6
26	W-523	Lockwasher - 3/8	6
27	W-514	Hex Nut - 3/8.....	6
28	S27987	Locknut - 3/8 Flanged Centre Lock.....	6
29	S65128	Oil Line Bracket	6
30	C-4698	Oil Line Clamp	24
31	N16257	Bushing - Spacer	6
32	N64747	Bracket - Electrical Connector - Tow Behind	1
33	S65673	Bracket - Mounting - Tow Behind.....	1
34	D-5488	Washer - 11/32 ID x 11/16 OD x 16 GA.....	6
35	W-472	Hex Bolt - 5/16 x 1 1/4 Lg	2
36	D-5278	Lock Nut - 5/16 Flange	2
37	H25628	U-Bolt - 1/2 x 6 1/16 x 9 3/8 UL - 40ft-70 ft	1
37A	S73828	U-Bolt - 1/2 x 6 1/16 x 7 3/8 UL - 80 ft	1
38	W-525	Lockwasher - 1/2	2
39	W-516	Hex Nut - 1/2.....	2
40	W-512	Hex Nut - 1/4 - Tow Behind	4
41	W-521	Lockwasher - 1/4 - Tow Behind	4
42	W-469	Hex Bolt - 1/4 X 3/4 Lg - Tow Behind	4
43	S13337	Hex Bolt - 5/16 x 6 Lg - Tow Behind	2
44	W-513	Hex Nut - 5/16 - Tow Behind.....	2
45	W-522	Lockwasher - 5/16 - Tow Behind	2
46	N19458	Spacer - 0.364 ID x 0.540 OD x 2 Lg	4
47	N16608	Pioneer End Clamp - Tow Behind	4
	N68388	Kit: Tow Behind Hydraulic Extension - QUANTUM (Whole Goods Only) - (Includes Items 8, 9, 9A, 11, 12, 13, 14, 16, 17, 18, 40 to 47)	
	N54295	Hyd Hose ICT Extension Kit: Quantum - Tow Behind ICT only (Whole Goods Only) - (Includes Items 8,12A,16, 20)	
	S65735	Kit: 40ft-70ft Hyd/Elec Bracket (Whole Goods Only) - (Includes Items 24-36, 37, 38, 39)	
	S73874	Kit: 80ft Hyd/Elec Bracket (Whole Goods Only) - (Includes Items 24-36, 37A, 38, 39)	

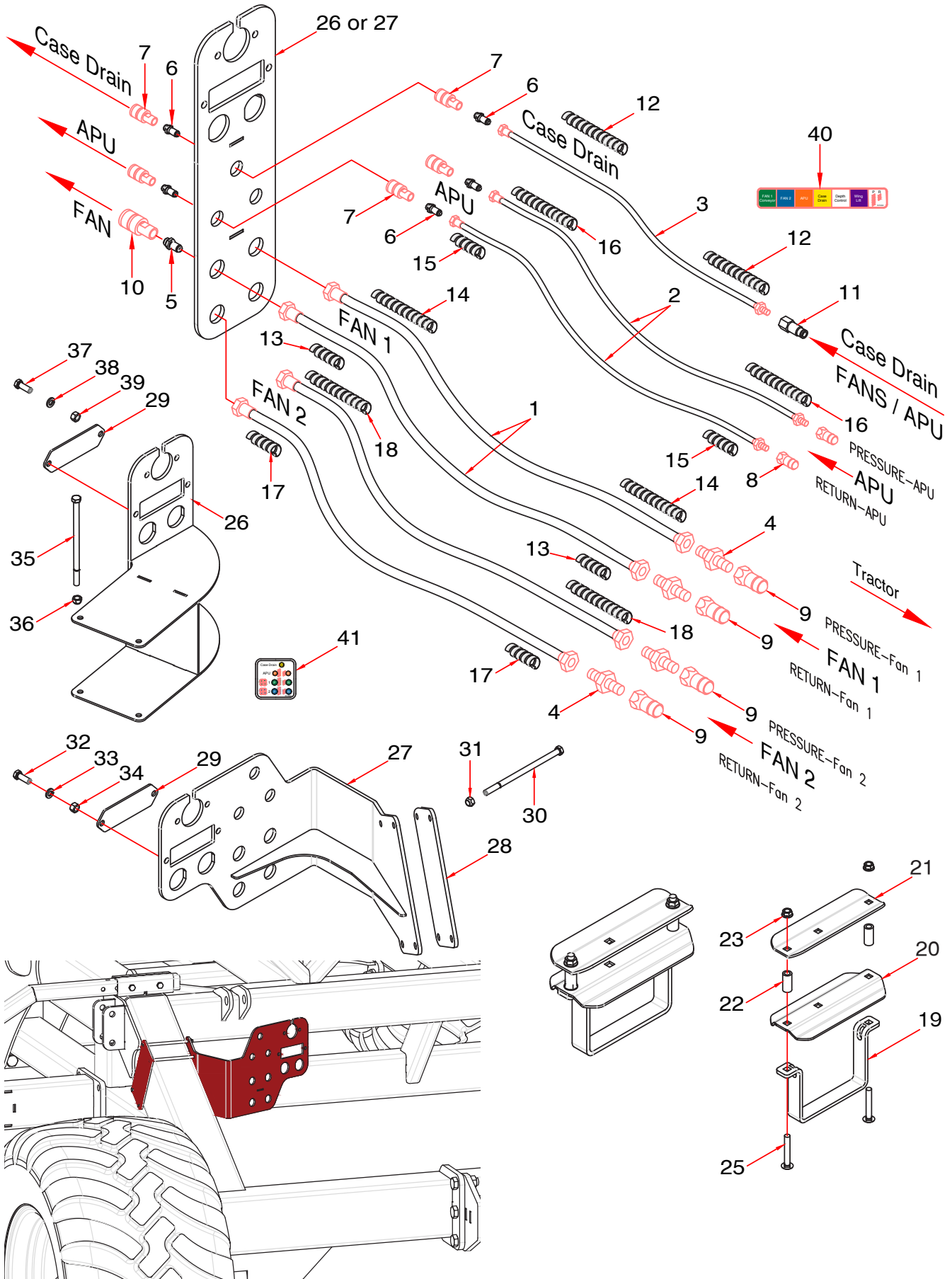
Tow Behind Cross Tillage Kit 10 Series Cart - One Fan



Tow Behind Cross Tillage Kit - 10 Series Cart - One Fan

Item	Part No.	Description	Qty
	N73738	KIT -Hydraulic Hoses - Cross Tillage - (Includes Items Below) Whole Goods Only	
1	N73733	Hyd Hose - 1 x 480 Lg - 1 1/16-12 FJIC (#12).....	2
2	N73748	Hyd Hose - 1/2 x 480 Lg - 7/8-14 FJIC (#10) x 7/8-14 MORB (#10).....	2
3	N73749	Hyd Hose - 1/2 x 480 Lg - 7/8-14 FJIC (#10) x 3/4 -16 MORB (#08).....	1
	G73625	Hyd Fittings - Single Fan - (Includes Items Below) Whole Goods Only	
4	N15990	Connector - 1 1/16-12 MJIC (#12) x 1 1/16-12 MORB (#12).....	2
5	N69768	Bulk Head Union - 1 1/16"-12 MJIC (#12) X 1 1/16"-12 MORB (#12)	2
6	N69804	Bulk Head Union - 7/8-14 MJIC (#10) x 7/8-14 MORB (#10).....	3
	G73626	PBAG - Cross Tillage - 10S - Single Fan - (Includes Items Below) Whole Goods Only	
7	N34488	1/2 Female Pioneer Coupler - 7/8-14 FORB (#10) - Series B.....	3
8	N34498	1/2 Male Pioneer Tip - 7/8-14 FORB (#10) - Series B.....	2
9	N37914	3/4 Male Pioneer Tip - 1 1/16-12 FORB (#12) - Series B.....	2
10	N37915	3/4 Female Pioneer Coupler - 1 1/16-12 FORB (#12) - Series B.....	2
11	K73230	3/8 Flat Face Tip - 3/4-16 FORB (#08) (FF491-3-8-CV) - Low Pressure Release.....	1
12	N74321	Hose Wrap - YELLOW - 11" - Case Drain	2
13	N74326	Hose Wrap - ORANGE - 5" - Return - APU	2
14	N74327	Hose Wrap - ORANGE - 11" - Pressure - APU	2
15	N74330	Hose Wrap - GREEN - 5" - Return - Fan 1 / Conveyor	2
16	N74331	Hose Wrap - GREEN - 11" - Pressure - Fan 1 / Conveyor	2
	G73600	Hose Holder Kit - (Includes Items Below) Whole Goods Only	
17	S73602	Hitch Hose Holder - Clamp.....	4
18	S73603	Hitch Hose Holder - Bottom Plate	4
19	S73604	Hitch Hose Holder - Top Plate	4
20	N69879	Bushing - 0.385 ID x 0.625 OD x 1 3/8 Lg.....	8
	G73601	Hitch Hose Holder Hardware - (Includes Items Below) Whole Goods Only	
21	S27987	Flange Lock Nut - 3/8 W/Center Lock.....	12
22	P7C616	Carriage Bolt - 3/8 x 1 Lg.....	4
23	S28159	Carriage Bolt - 3/8 x 2 1/2 Lg.....	8
24	S69855	Bracket - Bulk Head - Quantum 80 ft Only.....	1
25	S73724	Bracket - Bulk Head - Quantum 40 ft to 70 ft	1
26	S73732	Clamp Plate - Bulk Head - Quantum 40 ft to 70 ft.....	1
27	S69859	Cover - Expansion Slot.....	1
	G73746	PBAG:STD QTM R-BULKHEAD HDW - (Includes Items Below) Whole Goods Only	
28	N19678	Hex Bolt - 3/8 x 7 Lg	4
29	M-3388	Locknut - 3/8.....	4
30	W-475	Hex Bolt -3/8 x 1 Lg	4
31	W-523	Lock Washer - 3/8.....	4
32	W-514	Nut - 3/8.....	4
	G73747	PBAG:WIDE QTM R-BULKHEAD HDW - (Includes Items Below) Whole Goods Only	
33	N19678	Hex Bolt - 3/8 x 7 Lg	2
34	M-3388	Locknut - 3/8.....	2
35	W-475	Hex Bolt -3/8 x 1 Lg	4
36	W-523	Lock Washer - 3/8.....	4
37	W-514	Nut - 3/8.....	4
		Order Kits Through Whole Goods Only	
	N73796	KIT:CROSS-TILL STD Q+10S 1FAN - Quantum 40 ft to 70 ft (Includes Items 1-23 and 25-32)	
	N73798	KIT:CROSS-TILL WIDE Q+10S 1FAN - Quantum 80 ft Only (Includes Items 1-24, 27 and 33-37)	
38	N74334	Decal - Hose Wrap Identification (Locate on Drill Hitch)	1
39	N74998	Decal - Hose Identification - Bulkhead (Locate on Bulkhead)	1

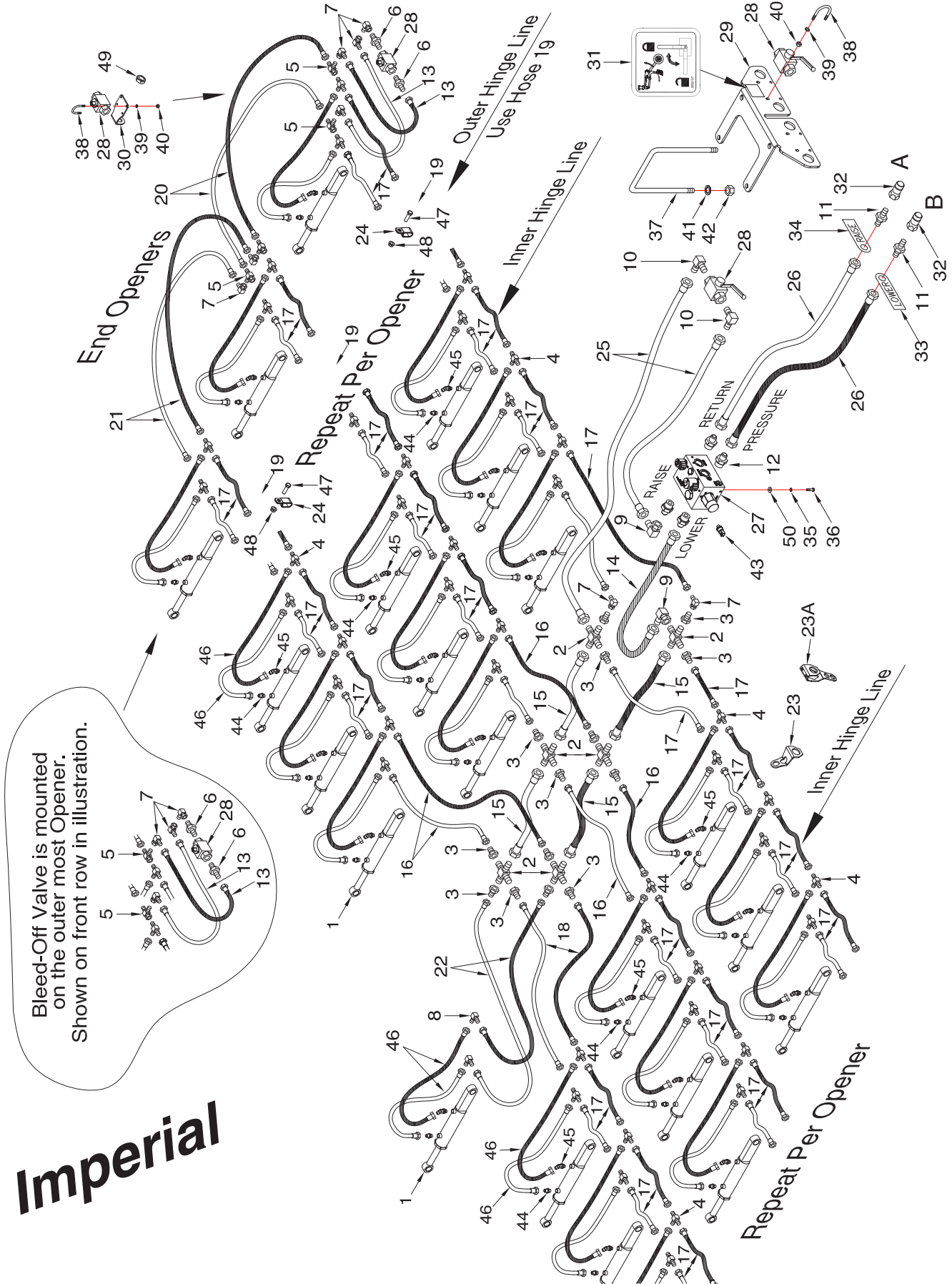
Tow Behind Cross Tillage Kit 10 Series Cart - Two Fans



Tow Behind Cross Tillage Kit - 10 Series Cart - Two Fans

Item	Part No.	Description	Qty
	N73739	KIT:Cross Tillage STD QTM 2 Fans - (Includes Items Below) Whole Goods Only	
1	N73733	Hyd Hose - 1 x 480 Lg - 1 1/16-12 FJIC (#12).....	4
2	N73748	Hyd Hose - 1/2 x 480 Lg - 7/8-14 FJIC (#10) x 7/8-14 MORB (#10).....	2
3	N73749	Hyd Hose - 1/2 x 480 Lg - 7/8-14 FJIC (#10) x 3/4 -16 MORB (#08).....	1
	N69801	KIT:Hyd Fitting - Cross Tillage - (Includes Items Below) Whole Goods Only	
4	N15990	Connector - 1 1/16-12 MJIC (#12) x 1 1/16-12 MORB (#12).....	4
5	N69768	Bulk Head Union - 1 1/16"-12 MJIC (#12) X 1 1/16"-12 MORB (#12)	4
6	N69804	Bulk Head Union - 7/8-14 MJIC (#10) x 7/8-14 MORB (#10).....	3
	G69903	PBAG - Cross Tillage - 10S - (Includes Items Below) Whole Goods Only	
7	N34488	1/2 Female Pioneer Coupler - 7/8-14 FORB (#10) - Series B.....	3
8	N34498	1/2 Male Pioneer Tip - 7/8-14 FORB (#10) - Series B.....	2
9	N37914	3/4 Male Pioneer Tip - 1 1/16-12 FORB (#12) - Series B.....	4
10	N37915	3/4 Female Pioneer Coupler - 1 1/16-12 FORB (#12) - Series B.....	4
11	K73230	3/8 Flat Face Tip - 3/4-16 FORB (#08) (FF491-3-8-CV) - Low Pressure Release.....	1
12	N74321	Hose Wrap - YELLOW - 11" - Case Drain	2
13	N74324	Hose Wrap - BLUE - 5" - Return - Fan 2.....	2
14	N74325	Hose Wrap - BLUE - 11" - Pressure - Fan 2.....	2
15	N74326	Hose Wrap - ORANGE - 5" - Return - APU	2
16	N74327	Hose Wrap - ORANGE - 11" - Pressure - APU	2
17	N74330	Hose Wrap - GREEN - 5" - Return - Fan 1 / Conveyor	2
18	N74331	Hose Wrap - GREEN - 11" - Pressure - Fan 1 / Conveyor	2
	G73600	Hose Holder Kit - (Includes Items Below) Whole Goods Only	
19	S73602	Hitch Hose Holder - Clamp.....	4
20	S73603	Hitch Hose Holder - Bottom Plate.....	4
21	S73604	Hitch Hose Holder - Top Plate.....	4
22	N69879	Bushing - 0.385 ID x 0.625 OD x 1 3/8 Lg.....	8
	G73601	Hitch Hose Holder Hardware - (Includes Items Below) Whole Goods Only	
23	S27987	Flange Lock Nut - 3/8 W/Center Lock.....	12
24	P7C616	Carriage Bolt - 3/8 x 1 Lg - (Not Used)	4
25	S28159	Carriage Bolt - 3/8 x 2 1/2 Lg.....	8
26	S69855	Bracket - Bulk Head - Quantum 80 ft Only.....	1
27	S73724	Bracket - Bulk Head - Quantum 40 ft to 70 ft	1
28	S73732	Clamp Plate - Bulk Head - Quantum 40 ft to 70 ft.....	1
29	S69859	Cover - Expansion Slot.....	1
	G73746	PBAG:STD QTM R-BULKHEAD HDW - (Includes Items Below) Whole Goods Only	
30	N19678	Hex Bolt - 3/8 x 7 Lg	4
31	M-3388	Locknut - 3/8.....	4
32	W-475	Hex Bolt -3/8 x 1 Lg	4
33	W-523	Lock Washer - 3/8.....	4
34	W-514	Nut - 3/8.....	4
	G73747	PBAG:WIDE QTM R-BULKHEAD HDW - (Includes Items Below) Whole Goods Only	
35	N19678	Hex Bolt - 3/8 x 7 Lg	2
36	M-3388	Locknut - 3/8.....	2
37	W-475	Hex Bolt -3/8 x 1 Lg	4
38	W-523	Lock Washer - 3/8.....	4
39	W-514	Nut - 3/8.....	4
		Order Kits Through Whole Goods Only	
	N73797	KIT:CROSS-TILL STD Q+10S 2FAN - Quantum 40 ft to 70 ft (Includes Items 1-25 and 27-34)	
	N73799	KIT:CROSS-TILL WIDE Q+10S 2FAN - Quantum 80 ft Only (Includes Items 1-26, 29 and 35-39)	
40	N74334	Decal - Hose Wrap Identification (Locate on Drill Hitch).....	1
41	N74998	Decal - Hose Identification - Bulkhead (Locate on Bulkhead)	1

3 Rank Opener Hydraulics 10 inch Spacing - 40 ft to 70 ft

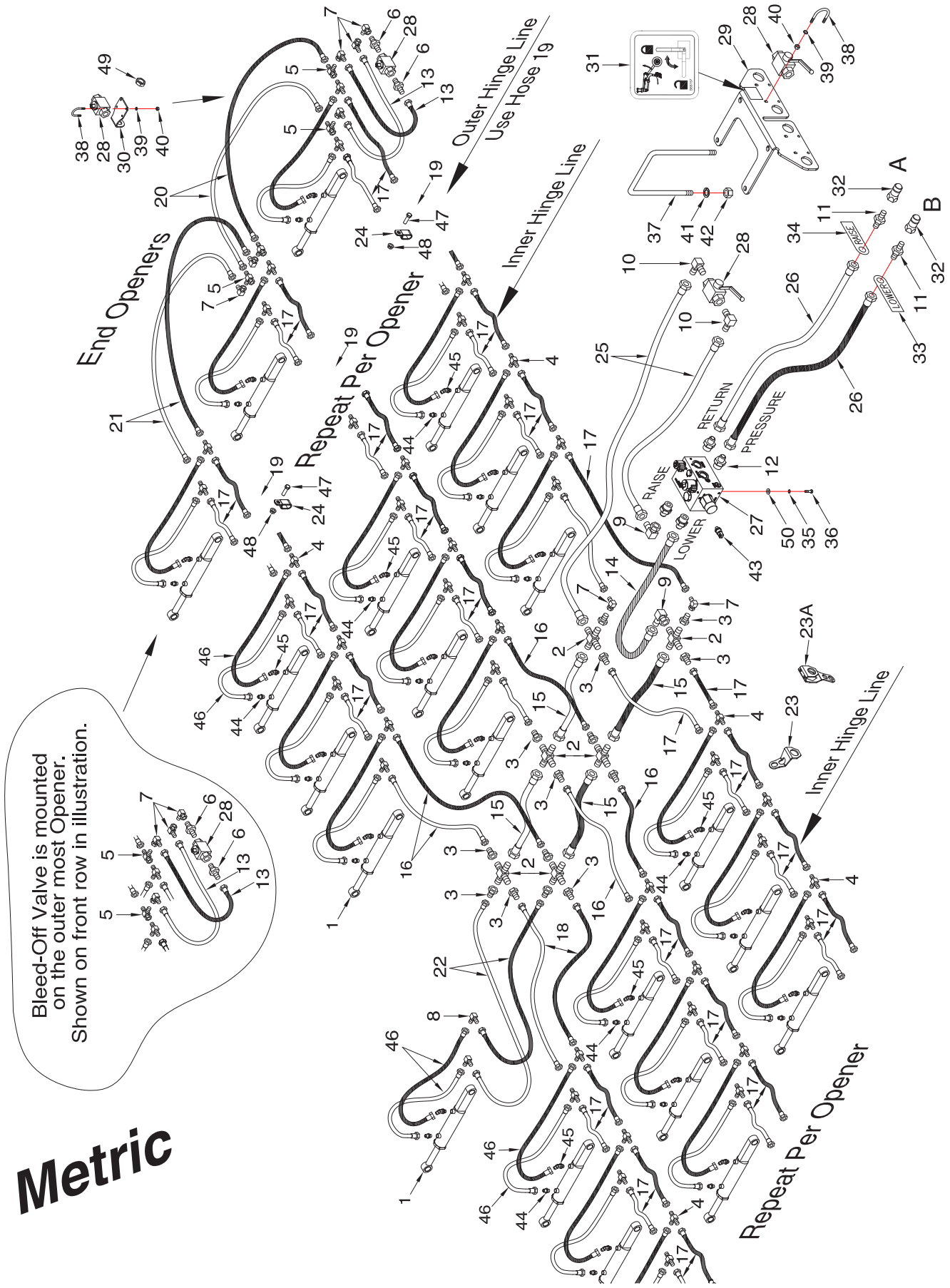


3 Rank Opener Hydraulics - 10 inch Spacing - 40 ft to 70 ft

Item	Part No.	Description	Qty
1	*****	Cylinder - Row Unit.....	AsReq
2	C-4401	Cross - (4) 7/8-14 MJIC	6
3	F10384	Reducer - 7/8-14 MJIC x 9/16-18 MJIC	14
4	C-4393	Tee - 9/16-18 MJIC	AsReq
5	C-4403	Tee - (2) 9/16-18 MJIC x (1) 9/16-18 FJIC (MMF).....	8
6	C15348	Connector - 9/16-18 MJIC x 3/4-16 MORB.....	4
7	S29967	90 Elbow - 9/16-18 FJIC x 9/16-18 MJIC.....	10
8	F-3867	90 Elbow - 9/16-18 (#06) MJIC.....	2
9	K-5806	90 Elbow - 7/8-14 FJIC x 7/8-14 MJIC.....	2
10	C24585	90 Elbow - 7/8-14 MJIC x 3/4-16 MORB.....	2
11	C14840	Connector - 7/8-14 MJIC x 3/4-16 MORB.....	2
12	N47903	Connector - 7/8-14 (#10) MJIC x 1 1/16-12 (#12) MORB.....	4
13	S66243	Hyd Hose - 1/4 x 22 Lg w/9/16-18 FJIC.....	4
14	S66755	Hyd Hose - 1/2 x 30 Lg - #10 7/8-14 FJIC Swivel Ends.....	1
15	S66758	Hyd Hose - 1/2 x 34 Lg - #10 7/8-14 FJIC Swivel Ends.....	4
16	S47973	Hyd Hose - 3/8 x 20 Lg - #6 9/16-18 FJIC	6
17	S42967	Hyd Hose - 3/8 x 30Lg - #6 9/16-18 FJIC.....	AsReq
18	S65670	Hyd Hose - 3/8 x 42 Lg - #6 9/16-18 FJIC.....	2
19	S65670	Hyd Hose - 3/8 x 42 Lg - #6 9/16-18 FJIC - Outer Hinge Line.....	12
20	N53696	Hyd Hose - 3/8 x 66 Lg - #6 9/16-18 FJIC Ends - 40 ft	4
	S47799	Hyd Hose - 3/8 x 60 Lg - #6 9/16-18 FJIC Ends - 50 ft	4
	S47799	Hyd Hose - 3/8 x 60 Lg - #6 9/16-18 FJIC Ends - 60 ft	4
	S47799	Hyd Hose - 3/8 x 60 Lg - #6 9/16-18 FJIC Ends - 70 ft	4
21	N53696	Hyd Hose - 3/8 x 66 Lg - #6 9/16-18 FJIC Ends - 40 ft	4
	S65397	Hyd Hose - 3/8 x 80 Lg - #6 9/16-18 FJIC Ends - 50 ft	4
	S65397	Hyd Hose - 3/8 x 80 Lg - #6 9/16-18 FJIC Ends - 60 ft	4
	S65397	Hyd Hose - 3/8 x 80 Lg - #6 9/16-18 FJIC Ends - 70 ft	4
22	S65420	Hyd Hose - 3/8 x 126 Lg - #6 9/16-18 FJIC Ends.....	2
23	S66245	Hose Holder - Opener	AsReq
23A	S67170	Hose Holder - Opener - Low Profile.....	6
24	S68415	Hose Holder Loop - Outer Hinge Line	4
25	S65668	Hyd Hose - 3/4 x 120 Lg - #10 7/8-14 FJIC Ends	2
26	S58157	Hyd Hose - 3/4 x 330 Lg - #10 7/8-14 FJIC Ends	2
27	S68006	Manifold - Opener Control	1
28	N42880	Lock Valve - 2 Way Ball.....	3
28A	N42881	Handle - Valve.....	1
29	S65129	Valve Mounting Plate	1
30	S66754	Mount Plate - Ball Valve	2
31	S65157	Decal ISO - Openers Lock.....	1
32	N34443	Male Tip - 3/4-16 MORB - Series B	2
33	S29959	Tag - Hose ID - Depth Control - LOWER	1
34	S29958	Tag - Hose ID - Depth Control - RAISE.....	1
35	W-523	Lockwasher - 3/8 ... (Valve Block).....	4
36	W-475	Hex Bolt - 3/8 x 1 Lg(Valve Block).....	4
37	H25628	U-Bolt - 1/2 x 6 x 9 3/8 Lg.....	2
38	N34319	U-Bolt - 1/4 x 1 1/2 x 2.....	4
39	W-521	Lockwasher - 1/4	8
40	W-512	Hex Nut - 1/4.....	8
41	W-525	Lockwasher - 1/2	4
42	W-516	Hex Nut - 1/2.....	4
43	K62977	Pressure Transducer.....	1
44	N29358	Connector - 9/16-18 (#06) MJIC x 9/16-18 (#06) MORB (1 per Opener).....	AsReq
45	N19578	45 Elbow - 9/16-18 (#06) MJIC x 9/16-18 (#06) MORB (1 per Opener)	AsReq
46	S66243	Hyd Hose - 1/4 x 22 Lg - #6 9/16-18 FJIC Ends (High Flex) (2 per Opener).....	AsReq
47	W-475	Hex Bolt - 3/8 x 1 Lg - Outer Hinge Line.....	4
48	D-5279	Locknut - 3/8 Serrated - Outer Hinge Line.....	4
49	S-711	Hex Jam Nut - 1.....	2
50	W-538	Flatwasher - 7/16 ID x 1 OD x 14 GA ... (Valve Block).....	4

Imperial

3 Rank Opener Hydraulics 250 mm Spacing - 12 m to 21 m

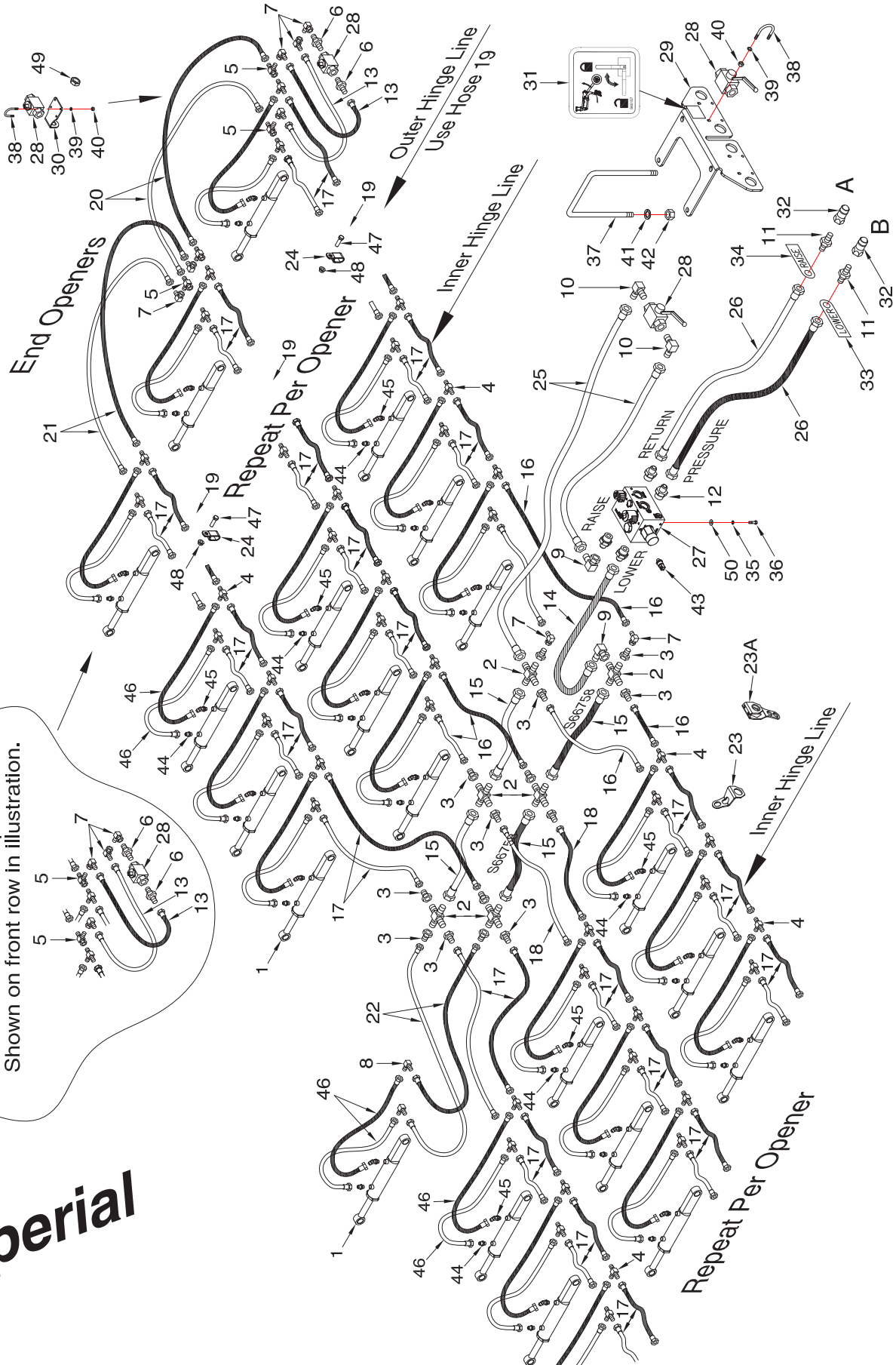


3 Rank Opener Hydraulics - 250 mm Spacing - 12 m to 21 m

Item	Part No.	Description	Qty
1	*****	Cylinder - Row Unit.....	AsReq
2	C-4401	Cross - (4) 7/8-14 MJIC	6
3	F10384	Reducer - 7/8-14 MJIC x 9/16-18 MJIC	14
4	C-4393	Tee - 9/16-18 MJIC	AsReq
5	C-4403	Tee - (2) 9/16-18 MJIC x (1) 9/16-18 FJIC (MMF).....	8
6	C15348	Connector - 9/16-18 MJIC x 3/4-16 MORB.....	4
7	S29967	90 Elbow - 9/16-18 FJIC x 9/16-18 MJIC.....	10
8	F-3867	90 Elbow - 9/16-18 (#06) MJIC.....	2
9	K-5806	90 Elbow - 7/8-14 FJIC x 7/8-14 MJIC.....	2
10	C24585	90 Elbow - 7/8-14 MJIC x 3/4-16 MORB.....	2
11	C14840	Connector - 7/8-14 MJIC x 3/4-16 MORB.....	2
12	N47903	Connector - 7/8-14 (#10) MJIC x 1 1/16-12 (#12) MORB.....	4
13	S66243	Hyd Hose - 1/4 x 22 Lg w/9/16-18 FJIC - Bleed-Off Valve.....	4
14	S66755	Hyd Hose - 1/2 x 30 Lg - #10 7/8-14 FJIC Swivel Ends.....	1
15	S66758	Hyd Hose - 1/2 x 34 Lg - #10 7/8-14 FJIC Swivel Ends.....	4
16	S47973	Hyd Hose - 3/8 x 20 Lg - #6 9/16-18 FJIC.....	6
17	S42967	Hyd Hose - 3/8 x 30Lg - #6 9/16-18 FJIC.....	AsReq
18	S65670	Hyd Hose - 3/8 x 42 Lg - #6 9/16-18 FJIC.....	2
19	S65670	Hyd Hose - 3/8 x 42 Lg - #6 9/16-18 FJIC - Outer Hinge Line.....	12
20	N53696	Hyd Hose - 3/8 x 66 Lg - #6 9/16-18 FJIC Ends - 12m	4
	S65407	Hyd Hose - 3/8 x 72 Lg - #6 9/16-18 FJIC Ends - 15m	4
	S65407	Hyd Hose - 3/8 x 72 Lg - #6 9/16-18 FJIC Ends - 18m	4
	S65407	Hyd Hose - 3/8 x 72 Lg - #6 9/16-18 FJIC Ends - 21m	4
21	N53696	Hyd Hose - 3/8 x 66 Lg - #6 9/16-18 FJIC Ends - 12m	4
	S66438	Hyd Hose - 3/8 x 92 Lg - #6 9/16-18 FJIC Ends - 15m	4
	S66438	Hyd Hose - 3/8 x 92 Lg - #6 9/16-18 FJIC Ends - 18m	4
	S66438	Hyd Hose - 3/8 x 92 Lg - #6 9/16-18 FJIC Ends - 21m	4
22	S65420	Hyd Hose - 3/8 x 126 Lg - #6 9/16-18 FJIC Ends.....	2
23	S66245	Hose Holder - Opener	AsReq
23A	S67170	Hose Holder - Opener - Low Profile.....	6
24	S68415	Hose Holder Loop - Outer Hinge Line	4
25	S65668	Hyd Hose - 3/4 x 120 Lg - #10 7/8-14 FJIC Ends	2
26	S58157	Hyd Hose - 3/4 x 330 Lg - #10 7/8-14 FJIC Ends	2
27	S68006	Manifold - Opener Control	1
28	N42880	Lock Valve - 2 Way Ball.....	3
28A	N42881	Handle - Valve.....	1
29	S65129	Valve Mounting Plate	1
30	S66754	Mount Plate - Ball Valve	2
31	S65157	Decal ISO - Openers Lock.....	1
32	N34443	Male Tip - 3/4-16 MORB - Series B	2
33	S29959	Tag - Hose ID - Depth Control - LOWER	1
34	S29958	Tag - Hose ID - Depth Control - RAISE.....	1
35	W-523	Lockwasher - 3/8 ... (Valve Block).....	4
36	W-475	Hex Bolt - 3/8 x 1 Lg(Valve Block).....	4
37	H25628	U-Bolt - 1/2 x 6 x 9 3/8 Lg.....	2
38	N34319	U-Bolt - 1/4 x 1 1/2 x 2.....	4
39	W-521	Lockwasher - 1/4	8
40	W-512	Hex Nut - 1/4.....	8
41	W-525	Lockwasher - 1/2	4
42	W-516	Hex Nut - 1/2.....	4
43	K62977	Pressure Transducer.....	1
44	N29358	Connector - 9/16-18 (#06) MJIC x 9/16-18 (#06) MORB (1 per Opener).....	AsReq
45	N19578	45 Elbow - 9/16-18 (#06) MJIC x 9/16-18 (#06) MORB (1 per Opener)	AsReq
46	S66243	Hyd Hose - 1/4 x 22 Lg - #6 9/16-18 FJIC Ends (High Flex) (2 per Opener).....	AsReq
47	W-475	Hex Bolt - 3/8 x 1 Lg - Outer Hinge Line.....	4
48	D-5279	Locknut - 3/8 Serrated - Outer Hinge Line	4
49	S-711	Hex Jam Nut - 1.....	2
50	W-538	Flatwasher - 7/16 ID x 1 OD x 14 GA ... (Valve Block).....	4

Metric

3 Rank Opener Hydraulics 12 inch Spacing - 40 ft to 70 ft



Bleed-Off Valve is mounted on the outer most Opener. Shown on front row in illustration.

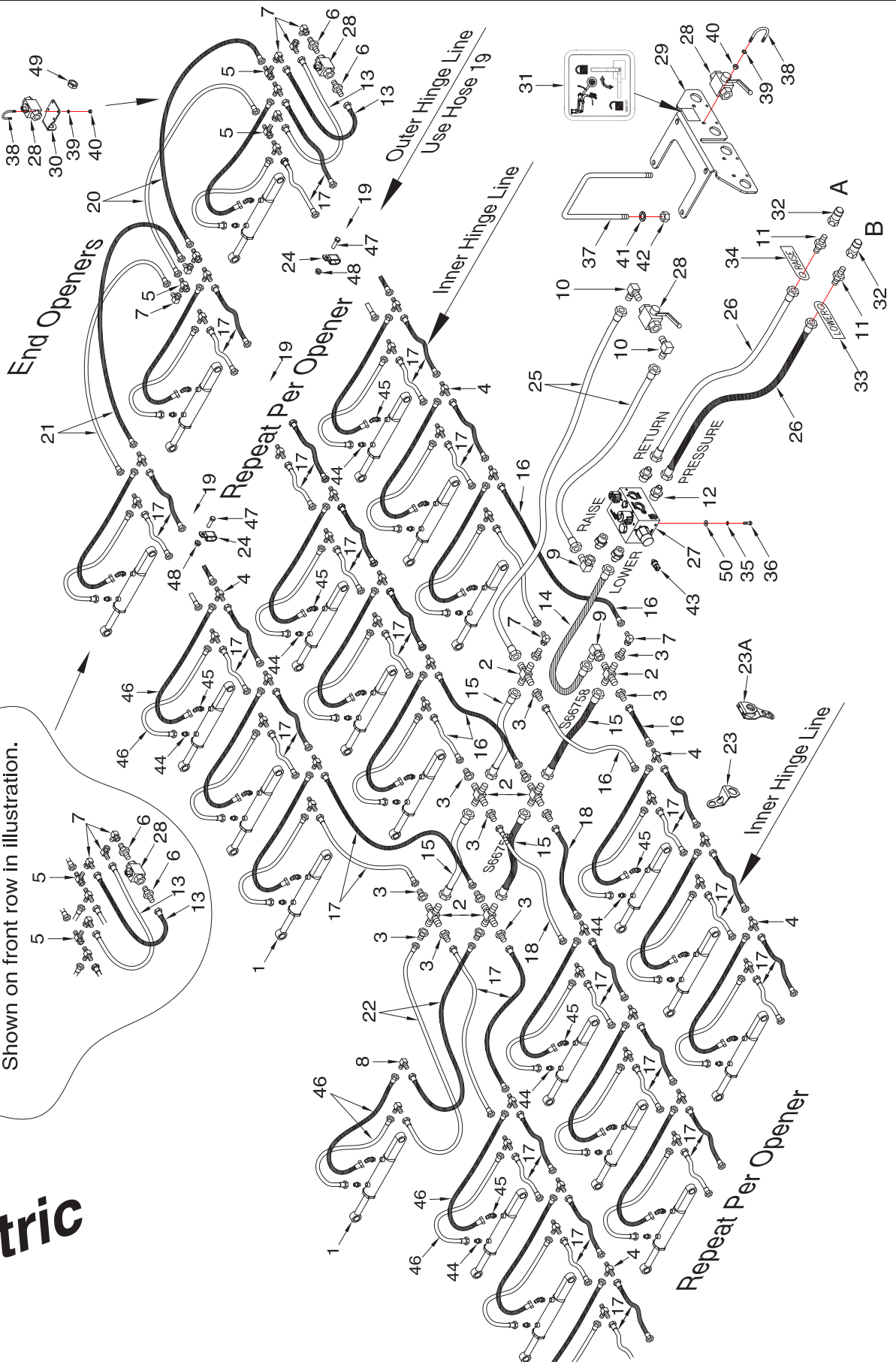
Imperial

3 Rank Opener Hydraulics - 12 inch Spacing - 40 ft to 70 ft

Item	Part No.	Description	Qty
1	*****	Cylinder - Row Unit.....	AsReq
2	C-4401	Cross - (4) 7/8-14 MJIC	6
3	F10384	Reducer - 7/8-14 MJIC x 9/16-18 MJIC	14
4	C-4393	Tee - 9/16-18 MJIC	AsReq
5	C-4403	Tee - (2) 9/16-18 MJIC x (1) 9/16-18 FJIC (MMF).....	8
6	C15348	Connector - 9/16-18 MJIC x 3/4-16 MORB.....	4
7	S29967	90 Elbow - 9/16-18 FJIC x 9/16-18 MJIC.....	10
8	F-3867	90 Elbow - 9/16-18 (#06) MJIC	2
9	K-5806	90 Elbow - 7/8-14 FJIC x 7/8-14 MJIC.....	2
10	C24585	90 Elbow - 7/8-14 MJIC x 3/4-16 MORB.....	2
11	C14840	Connector - 7/8-14 MJIC x 3/4-16 MORB.....	2
12	N47903	Connector - 7/8-14 (#10) MJIC x 1 1/16-12 (#12) MORB.....	4
13	S66243	Hyd Hose - 1/4 x 22 Lg w/9/16-18 FJIC - Bleed-Off Valve	4
14	S66755	Hyd Hose - 1/2 x 30 Lg - #10 7/8-14 FJIC Swivel Ends.....	1
15	S66758	Hyd Hose - 1/2 x 34 Lg - #10 7/8-14 FJIC Swivel Ends.....	4
16	S47973	Hyd Hose - 3/8 x 20 Lg - #6 9/16-18 FJIC	6
17	S42969	Hyd Hose - 3/8 x 36 Lg - #6 9/16-18 FJIC	AsReq
18	S65670	Hyd Hose - 3/8 x 42 Lg - #6 9/16-18 FJIC	2
19	S44353	Hyd Hose - 3/8 x 48 Lg - #6 9/16-18 FJIC - Outer Hinge Line.....	12
20	N53696	Hyd Hose - 3/8 x 66 Lg - #6 9/16-18 FJIC Ends - 40 ft	4
	N48126	Hyd Hose - 3/8 x 76 Lg - #6 9/16-18 FJIC Ends - 50 ft	4
	S66436	Hyd Hose - 3/8 x 86 Lg - #6 9/16-18 FJIC Ends - 60 ft	4
	N53696	Hyd Hose - 3/8 x 66 Lg - #6 9/16-18 FJIC Ends - 70 ft	4
21	N53696	Hyd Hose - 3/8 x 66 Lg - #6 9/16-18 FJIC Ends - 40 ft	4
	N53696	Hyd Hose - 3/8 x 66 Lg - #6 9/16-18 FJIC Ends - 50 ft	4
	N48126	Hyd Hose - 3/8 x 76 Lg - #6 9/16-18 FJIC Ends - 60 ft	4
	S66436	Hyd Hose - 3/8 x 86 Lg - #6 9/16-18 FJIC Ends - 70 ft	4
22	S65420	Hyd Hose - 3/8 x 126 Lg - #6 9/16-18 FJIC Ends.....	2
23	S66245	Hose Holder - Opener	AsReq
23A	S67170	Hose Holder - Opener - Low Profile.....	6
24	S68415	Hose Holder Loop - Outer Hinge Line	4
25	S65668	Hyd Hose - 3/4 x 120 Lg - #10 7/8-14 FJIC Ends	2
26	S58157	Hyd Hose - 3/4 x 330 Lg - #10 7/8-14 FJIC Ends	2
27	S68006	Manifold - Opener Control	1
28	N42880	Lock Valve - 2 Way Ball.....	3
28A	N42881	Handle - Valve.....	1
29	S65129	Valve Mounting Plate	1
30	S66754	Mount Plate - Ball Valve	2
31	S65157	Decal ISO - Openers Lock.....	1
32	N34443	Male Tip - 3/4-16 MORB - Series B	2
33	S29959	Tag - Hose ID - Depth Control - LOWER	1
34	S29958	Tag - Hose ID - Depth Control - RAISE.....	1
35	W-523	Lockwasher - 3/8 ... (Valve Block).....	4
36	W-475	Hex Bolt - 3/8 x 1 Lg(Valve Block).....	4
37	H25628	U-Bolt - 1/2 x 6 x 9 3/8 Lg.....	2
38	N34319	U-Bolt - 1/4 x 1 1/2 x 2.....	4
39	W-521	Lockwasher - 1/4	8
40	W-512	Hex Nut - 1/4.....	8
41	W-525	Lockwasher - 1/2	4
42	W-516	Hex Nut - 1/2.....	4
43	K62977	Pressure Transducer.....	1
44	N29358	Connector - 9/16-18 (#06) MJIC x 9/16-18 (#06) MORB (1 per Opener).....	AsReq
45	N19578	45 Elbow - 9/16-18 (#06) MJIC x 9/16-18 (#06) MORB (1 per Opener)	AsReq
46	S66243	Hyd Hose - 1/4 x 22 Lg - #6 9/16-18 FJIC Ends (High Flex) (2 per Opener).....	AsReq
47	W-475	Hex Bolt - 3/8 x 1 Lg - Outer Hinge Line.....	4
48	D-5279	Locknut - 3/8 Serrated - Outer Hinge Line.....	4
49	S-711	Hex Jam Nut - 1	2
50	W-538	Flatwasher - 7/16 ID x 1 OD x 14 GA ... (Valve Block).....	4

Imperial

3 Rank Opener Hydraulics 300 mm Spacing - 12 m to 21 m



Bleed-Off Valve is mounted on the outer most Opener. Shown on front row in illustration.

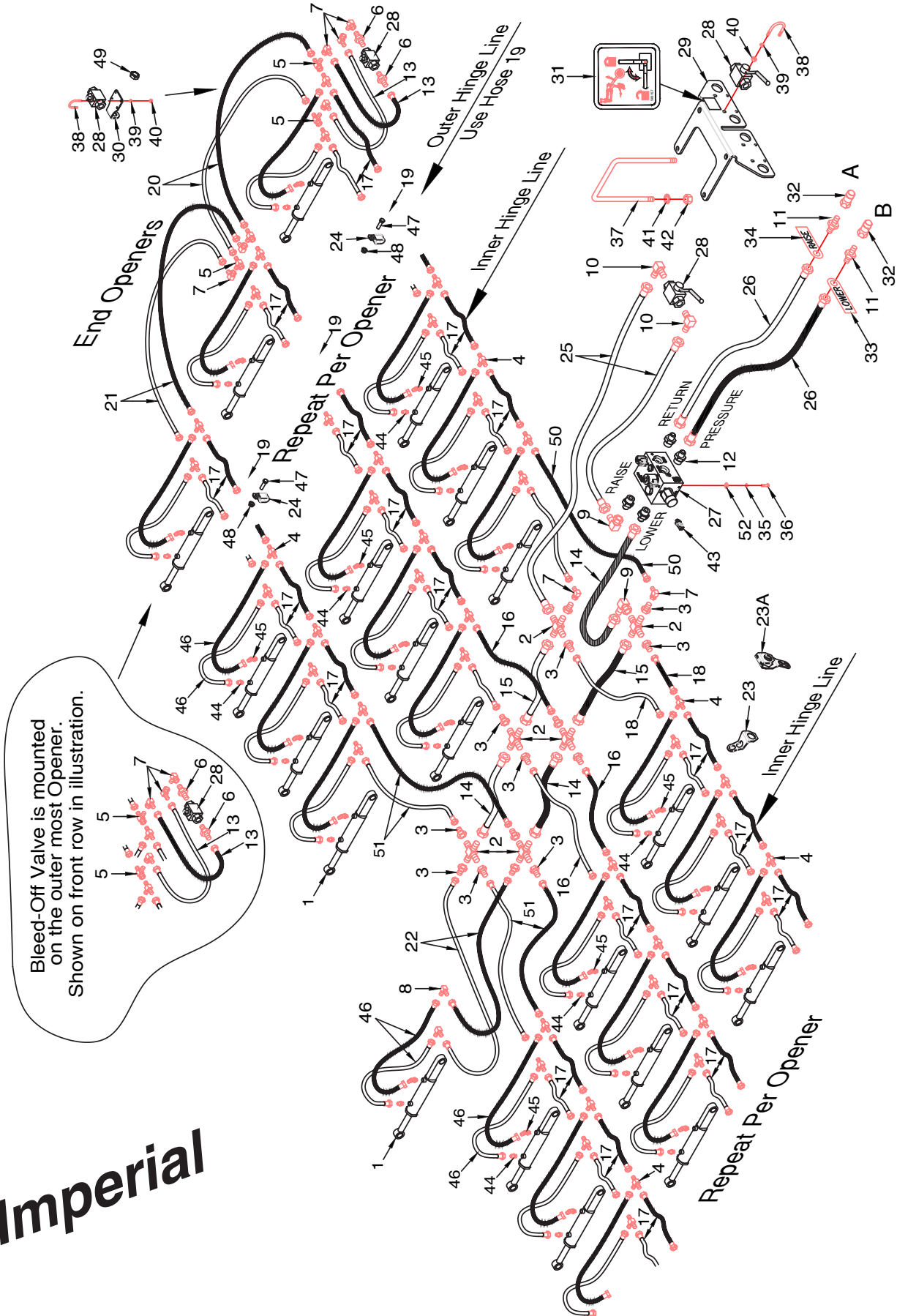
Metric

3 Rank Opener Hydraulics - 300 mm Spacing - 12 m to 21 m

Item	Part No.	Description	Qty
1	*****	Cylinder - Row Unit.....	AsReq
2	C-4401	Cross - (4) 7/8-14 MJIC	6
3	F10384	Reducer - 7/8-14 MJIC x 9/16-18 MJIC	14
4	C-4393	Tee - 9/16-18 MJIC	AsReq
5	C-4403	Tee - (2) 9/16-18 MJIC x (1) 9/16-18 FJIC (MMF).....	8
6	C15348	Connector - 9/16-18 MJIC x 3/4-16 MORB.....	4
7	S29967	90 Elbow - 9/16-18 FJIC x 9/16-18 MJIC.....	10
8	F-3867	90 Elbow - 9/16-18 (#06) MJIC.....	2
9	K-5806	90 Elbow - 7/8-14 FJIC x 7/8-14 MJIC.....	2
10	C24585	90 Elbow - 7/8-14 MJIC x 3/4-16 MORB.....	2
11	C14840	Connector - 7/8-14 MJIC x 3/4-16 MORB.....	2
12	N47903	Connector - 7/8-14 (#10) MJIC x 1 1/16-12 (#12) MORB.....	4
13	S66243	Hyd Hose - 1/4 x 22 Lg w/9/16-18 FJIC - Bleed-Off Valve	4
14	S66755	Hyd Hose - 1/2 x 30 Lg - #10 7/8-14 FJIC Swivel Ends.....	1
15	S66758	Hyd Hose - 1/2 x 34 Lg - #10 7/8-14 FJIC Swivel Ends.....	4
16	S47973	Hyd Hose - 3/8 x 20 Lg - #6 9/16-18 FJIC	6
17	S42969	Hyd Hose - 3/8 x 36 Lg - #6 9/16-18 FJIC	AsReq
18	S65670	Hyd Hose - 3/8 x 42 Lg - #6 9/16-18 FJIC	2
19	S44353	Hyd Hose - 3/8 x 48 Lg - #6 9/16-18 FJIC - Outer Hinge Line.....	12
20	S65407	Hyd Hose - 3/8 x 72 Lg - #6 9/16-18 FJIC Ends - 12m	4
	S66436	Hyd Hose - 3/8 x 86 Lg - #6 9/16-18 FJIC Ends - 15m	4
	S66437	Hyd Hose - 3/8 x 100 Lg- #6 9/16-18 FJIC Ends - 18m	4
	N48126	Hyd Hose - 3/8 x 76 Lg - #6 9/16-18 FJIC Ends - 21m	4
21	N48126	Hyd Hose - 3/8 x 76 Lg - #6 9/16-18 FJIC Ends - 12m	4
	N48126	Hyd Hose - 3/8 x 76 Lg - #6 9/16-18 FJIC Ends - 15m	4
	S66436	Hyd Hose - 3/8 x 86 Lg - #6 9/16-18 FJIC Ends - 18m	4
	S66437	Hyd Hose - 3/8 x 100 Lg- #6 9/16-18 FJIC Ends - 21m	4
22	S65420	Hyd Hose - 3/8 x 126 Lg - #6 9/16-18 FJIC Ends.....	2
23	S66245	Hose Holder - Opener	AsReq
23A	S67170	Hose Holder - Opener - Low Profile.....	6
24	S68415	Hose Holder Loop - Outer Hinge Line	4
25	S65668	Hyd Hose - 3/4 x 120 Lg - #10 7/8-14 FJIC Ends	2
26	S58157	Hyd Hose - 3/4 x 330 Lg - #10 7/8-14 FJIC Ends	2
27	S68006	Manifold - Opener Control	1
28	N42880	Lock Valve - 2 Way Ball.....	3
28A	N42881	Handle - Valve.....	1
29	S65129	Valve Mounting Plate	1
30	S66754	Mount Plate - Ball Valve	2
31	S65157	Decal ISO - Openers Lock.....	1
32	N34443	Male Tip - 3/4-16 MORB - Series B	2
33	S29959	Tag - Hose ID - Depth Control - LOWER	1
34	S29958	Tag - Hose ID - Depth Control - RAISE.....	1
35	W-523	Lockwasher - 3/8 ... (Valve Block).....	4
36	W-475	Hex Bolt - 3/8 x 1 Lg(Valve Block).....	4
37	H25628	U-Bolt - 1/2 x 6 x 9 3/8 Lg.....	2
38	N34319	U-Bolt - 1/4 x 1 1/2 x 2.....	4
39	W-521	Lockwasher - 1/4	8
40	W-512	Hex Nut - 1/4.....	8
41	W-525	Lockwasher - 1/2	4
42	W-516	Hex Nut - 1/2.....	4
43	K62977	Pressure Transducer.....	1
44	N29358	Connector - 9/16-18 (#06) MJIC x 9/16-18 (#06) MORB (1 per Opener).....	AsReq
45	N19578	45 Elbow - 9/16-18 (#06) MJIC x 9/16-18 (#06) MORB (1 per Opener)	AsReq
46	S66243	Hyd Hose - 1/4 x 22 Lg - #6 9/16-18 FJIC Ends (High Flex) (2 per Opener).....	AsReq
47	W-475	Hex Bolt - 3/8 x 1 Lg - Outer Hinge Line.....	4
48	D-5279	Locknut - 3/8 Serrated - Outer Hinge Line.....	4
49	S-711	Hex Jam Nut - 1	2
50	W-538	Flatwasher - 7/16 ID x 1 OD x 14 GA ... (Valve Block).....	4

Metric

3 Rank Opener Hydraulics 15 inch (380 mm) Spacing - 40 ft to 70 ft



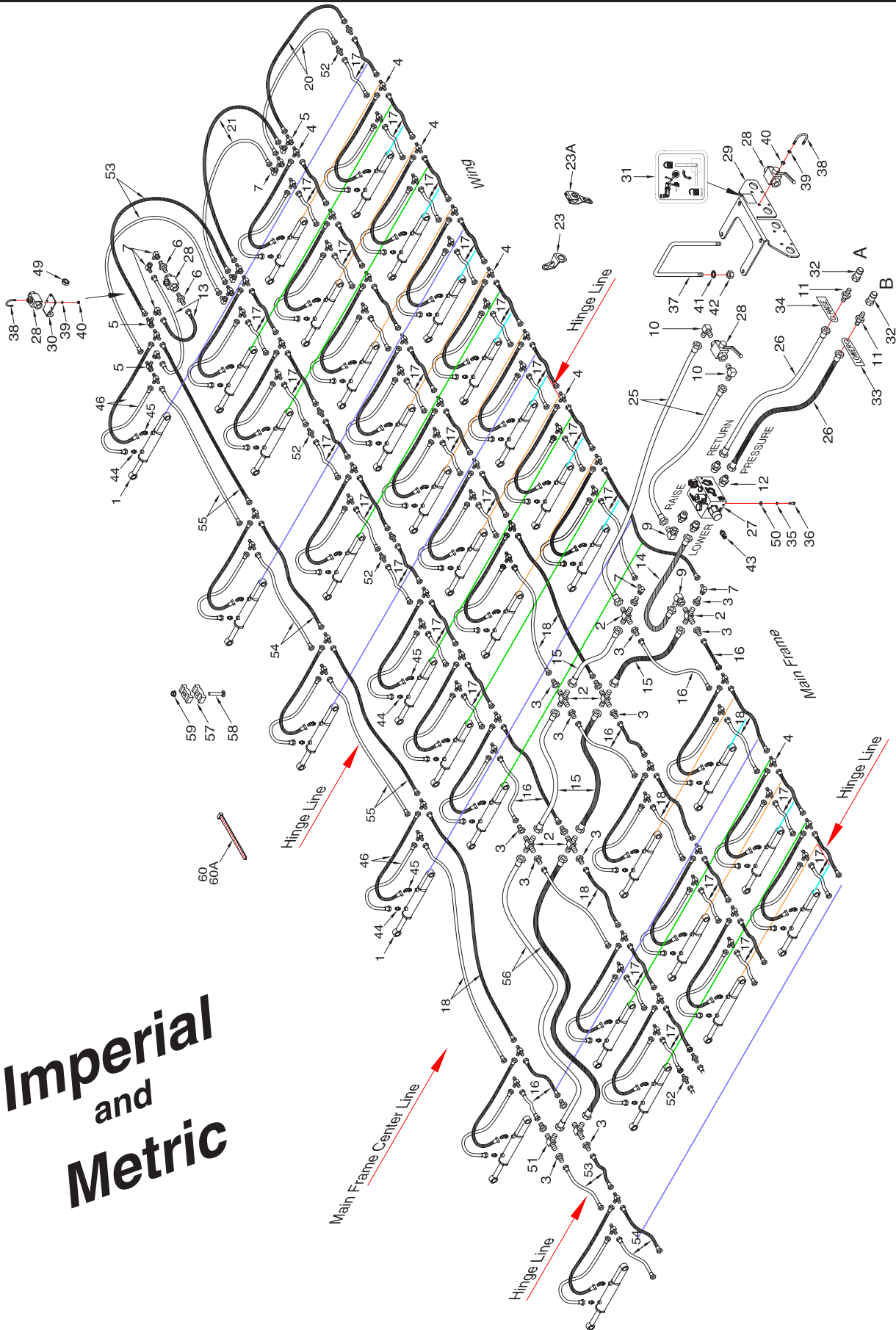
Imperial

3 Rank Opener Hydraulics - 15 inch (380 mm) Spacing - 40 ft to 70 ft

Item	Part No.	Description	Qty
1	*****	Cylinder - Row Unit.....	AsReq
2	C-4401	Cross - (4) 7/8-14 MJIC	6
3	F10384	Reducer - 7/8-14 MJIC x 9/16-18 MJIC	14
4	C-4393	Tee - 9/16-18 MJIC	AsReq
5	C-4403	Tee - (2) 9/16-18 MJIC x (1) 9/16-18 FJIC (MMF).....	8
6	C15348	Connector - 9/16-18 MJIC x 3/4-16 MORB.....	4
7	S29967	90 Elbow - 9/16-18 FJIC x 9/16-18 MJIC.....	10
8	F-3867	90 Elbow - 9/16-18 (#06) MJIC	2
9	K-5806	90 Elbow - 7/8-14 FJIC x 7/8-14 MJIC.....	2
10	C24585	90 Elbow - 7/8-14 MJIC x 3/4-16 MORB.....	2
11	C14840	Connector - 7/8-14 MJIC x 3/4-16 MORB.....	2
12	N47903	Connector - 7/8-14 (#10) MJIC x 1 1/16-12 (#12) MORB.....	4
13	S66243	Hyd Hose - 1/4 x 22 Lg w/9/16-18 FJIC - Bleed-Off Valve	4
14	S66755	Hyd Hose - 1/2 x 30 Lg - #10 7/8-14 FJIC Swivel Ends.....	1
15	S66758	Hyd Hose - 1/2 x 34 Lg - #10 7/8-14 FJIC Swivel Ends.....	4
16	S65670	Hyd Hose - 3/8 x 42 Lg - #6 9/16-18 FJIC	4
17	S65380	Hyd Hose - 3/8 x 45 Lg - #6 9/16-18 FJIC Ends.....	AsReq
18	S65437	Hyd Hose - 3/8 x 54 Lg - #6 9/16-18 FJIC Ends.....	2
19	S47799	Hyd Hose - 3/8 x 60 Lg - #6 9/16-18 FJIC - Outer Hinge Line.....	12
20	S65407	Hyd Hose - 3/8 x 72 Lg - #6 9/16-18 FJIC Ends - 40 ft	4
	S66436	Hyd Hose - 3/8 x 86 Lg - #6 9/16-18 FJIC Ends - 50 ft	4
	S66436	Hyd Hose - 3/8 x 86 Lg - #6 9/16-18 FJIC Ends - 60 ft	4
	S65407	Hyd Hose - 3/8 x 72 Lg - #6 9/16-18 FJIC Ends - 70 ft	4
21	S65397	Hyd Hose - 3/8 x 80 Lg - #6 9/16-18 FJIC Ends - 40 ft	4
	S66437	Hyd Hose - 3/8 x 100 Lg - #6 9/16-18 FJIC Ends - 50 ft	4
	S65407	Hyd Hose - 3/8 x 72 Lg - #6 9/16-18 FJIC Ends - 60 ft	4
	S66437	Hyd Hose - 3/8 x 100 Lg - #6 9/16-18 FJIC Ends - 70 ft	4
22	S65420	Hyd Hose - 3/8 x 126 Lg - #6 9/16-18 FJIC Ends.....	2
23	S66245	Hose Holder - Opener	AsReq
23A	S67170	Hose Holder - Opener - Low Profile.....	6
24	S68415	Hose Holder Loop - Outer Hinge Line	4
25	S65668	Hyd Hose - 3/4 x 120 Lg - #10 7/8-14 FJIC Ends	2
26	S58157	Hyd Hose - 3/4 x 330 Lg - #10 7/8-14 FJIC Ends	2
27	S68006	Manifold - Opener Control	1
28	N42880	Lock Valve - 2 Way Ball.....	3
28A	N42881	Handle - Valve.....	1
29	S65129	Valve Mounting Plate	1
30	S66754	Mount Plate - Ball Valve	2
31	S65157	Decal ISO - Openers Lock.....	1
32	N34443	Male Tip - 3/4-16 MORB - Series B	2
33	S29959	Tag - Hose ID - Depth Control - LOWER	1
34	S29958	Tag - Hose ID - Depth Control - RAISE.....	1
35	W-523	Lockwasher - 3/8 ... (Valve Block).....	4
36	W-475	Hex Bolt - 3/8 x 1 Lg(Valve Block).....	4
37	H25628	U-Bolt - 1/2 x 6 x 9 3/8 Lg.....	2
38	N34319	U-Bolt - 1/4 x 1 1/2 x 2.....	4
39	W-521	Lockwasher - 1/4	8
40	W-512	Hex Nut - 1/4.....	8
41	W-525	Lockwasher - 1/2	4
42	W-516	Hex Nut - 1/2.....	4
43	K62977	Pressure Transducer.....	1
44	N29358	Connector - 9/16-18 (#06) MJIC x 9/16-18 (#06) MORB (1 per Opener).....	AsReq
45	N19578	45 Elbow - 9/16-18 (#06) MJIC x 9/16-18 (#06) MORB (1 per Opener)	AsReq
46	S66243	Hyd Hose - 1/4 x 22 Lg - #6 9/16-18 FJIC Ends (High Flex) (2 per Opener).....	AsReq
47	W-475	Hex Bolt - 3/8 x 1 Lg - Outer Hinge Line.....	4
48	D-5279	Locknut - 3/8 Serrated - Outer Hinge Line.....	4
49	S-711	Hex Jam Nut - 1	2
50	S47973	Hyd Hose - 3/8 x 20 Lg - #6 9/16-18 FJIC	2
51	S42967	Hyd Hose - 3/8 x 30 Lg w/ #6 9/16-18 FJIC.....	4
52	W-538	Flatwasher - 7/16 ID x 1 OD x 14 GA ... (Valve Block).....	4

Imperial

**Four Rank Hydraulic Option - 10 inch Spacing
- 40 ft Model**



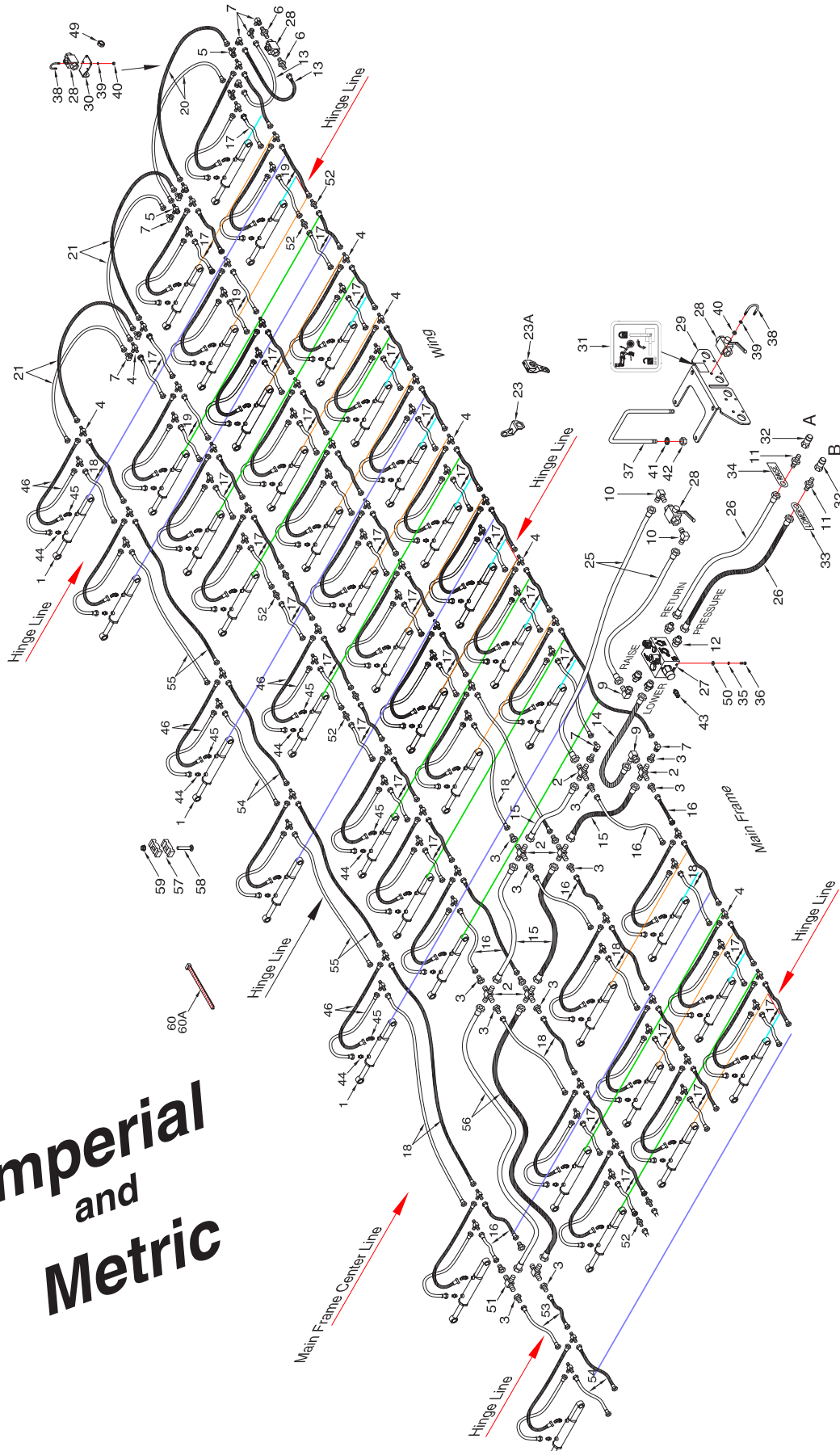
**Imperial
and
Metric**

Four Rank Hydraulic Option - 10 inch Spacing - 40 ft

Item	Part No.	Description	Qty
1	*****	Cylinder - Row Unit	48
2	C-4401	Cross - (4) 7/8-14 MJIC.....	6
3	F10384	Reducer - 7/8-14 MJIC x 9/16-18 MJIC - 4 for 4th Rank.....	18
4	C-4393	Tee - 9/16-18 MJIC - 2 for 4th Rank	96
5	C-4403	Tee - (2) 9/16-18 MJIC x (1) 9/16-18 FJIC (MMF) - 4 for 4th Rank	8
6	C15348	Connector - 9/16-18 MJIC x 3/4-16 MORB.....	4
7	S29967	90 Elbow - 9/16-18 FJIC x 9/16-18 MJIC - 4 for 4th Rank.....	10
8	F-3867	90 Elbow - 9/16-18 (#06) MJIC.....	2
9	K-5806	90 Elbow - 7/8-14 FJIC x 7/8-14 MJIC	2
10	C24585	90 Elbow - 7/8-14 MJIC x 3/4-16 MORB	2
11	C14840	Connector - 7/8-14 MJIC x 3/4-16 MORB	2
12	N47903	Connector - 7/8-14 (#10) MJIC x 1 1/16-12 (#12) MORB	4
13	S66243	Hyd Hose - 1/4 x 22 Lg w/9/16-18 FJIC - Bleed-Off Valve.....	4
14	S66755	Hyd Hose - 1/2 x 30 Lg - #10 7/8-14 FJIC Swivel Ends	1
15	S66758	Hyd Hose - 1/2 x 34 Lg - #10 7/8-14 FJIC Swivel Ends	4
16	S47973	Hyd Hose - 3/8 x 20 Lg - #6 9/16-18 FJIC	10
17	S42967	Hyd Hose - 3/8 x 30Lg - #6 9/16-18 FJIC	86
18	S65670	Hyd Hose - 3/8 x 42 Lg - #6 9/16-18 FJIC - 8 for 4th Rank.....	10
19	*****		
20	N53696	Hyd Hose - 3/8 x 66 Lg - #6 9/16-18 FJIC Ends - 12m and 40 ft	4
21	N53696	Hyd Hose - 3/8 x 66 Lg - #6 9/16-18 FJIC Ends - 12m and 40 ft	4
22	S65420	Hyd Hose - 3/8 x 126 Lg - #6 9/16-18 FJIC Ends - Not required with 4th Row Kit.....	2
23	S66245	Hose Holder - Opener	46
23A	S67170	Hose Holder - Opener - Low Profile	6
24	S68415	Hose Holder Loop - Outer Hinge Line.....	4
25	S65668	Hyd Hose - 3/4 x 120 Lg - #10 7/8-14 FJIC Ends	2
26	S58157	Hyd Hose - 3/4 x 330 Lg - #10 7/8-14 FJIC Ends	2
27	S68006	Manifold - Opener Control.....	1
28	N42880	Lock Valve - 2 Way Ball	3
28A	N42881	Handle - Valve	1
29	S65129	Valve Mounting Plate.....	1
30	S66754	Mount Plate - Ball Valve.....	2
31	S65157	Decal ISO - Openers Lock	1
32	N34443	Male Tip - 3/4-16 MORB - Series B.....	2
33	S29959	Tag - Hose ID - Depth Control - LOWER	1
34	S29958	Tag - Hose ID - Depth Control - RAISE	1
35	W-523	Lockwasher - 3/8 ... (Valve Block)	4
36	W-475	Hex Bolt - 3/8 x 1 Lg ... (Valve Block)	4
37	H25628	U-Bolt - 1/2 x 6 x 9 3/8 Lg	2
38	N34319	U-Bolt - 1/4 x 1 1/2 x 2	4
39	W-521	Lockwasher - 1/4.....	8
40	W-512	Hex Nut - 1/4.....	8
41	W-525	Lockwasher - 1/2.....	4
42	W-516	Hex Nut - 1/2	4
43	K62977	Pressure Transducer	1
44	N29358	Connector - 9/16-18 (#06) MJIC x 9/16-18 (#06) MORB (1 per Opener)	48
45	N19578	45 Elbow - 9/16-18 (#06) MJIC x 9/16-18 (#06) MORB (1 per Opener)	48
46	S66243	Hyd Hose - 1/4 x 22 Lg - #6 9/16-18 FJIC Ends (High Flex) (2 per Opener)	100
47	W-475	Hex Bolt - 3/8 x 1 Lg - Outer Hinge Line	4
48	D-5279	Locknut - 3/8 Serrated - Outer Hinge Line	4
49	S-711	Hex Jam Nut - 1	2
50	W-538	Flatwasher - 7/16 ID x 1 OD x 14 GA ... (Valve Block)	4
51	C-4394	Tee - (3) 7/8-14 MJIC.....	2
52	H18269	Connector - 9/16-18 (#06) MJIC.....	12
53	S65437	Hyd Hose - 3/8 x 54 Lg - #6 9/16-18 FJIC	6
54	S47799	Hyd Hose - 3/8 x 60 Lg - #6 9/16-18 FJIC	4
55	S65397	Hyd Hose - 3/8 x 80 Lg - #6 9/16-18 FJIC	6
56	H-4408	Hyd Hose - 1/2 x 84 Lg w/7/8-14 FJIC	2
57	C-4698	Oil Line Clamp.....	8
58	W14501	Carriage Bolt - 3/8 x 2 1/4 Lg	4
59	S27987	Locknut - 3/8 Flanged Centre Lock	4
60	S13336	Nylon Tie Strap - 3/8 x 24 Lg.....	12
60A	D-4838	Nylon Tie Strap - 5/16 x 14 1/2 Lg	6

Imperial
and
Metric

Four Rank Hydraulic Option - 10 inch Spacing - 50 ft Model



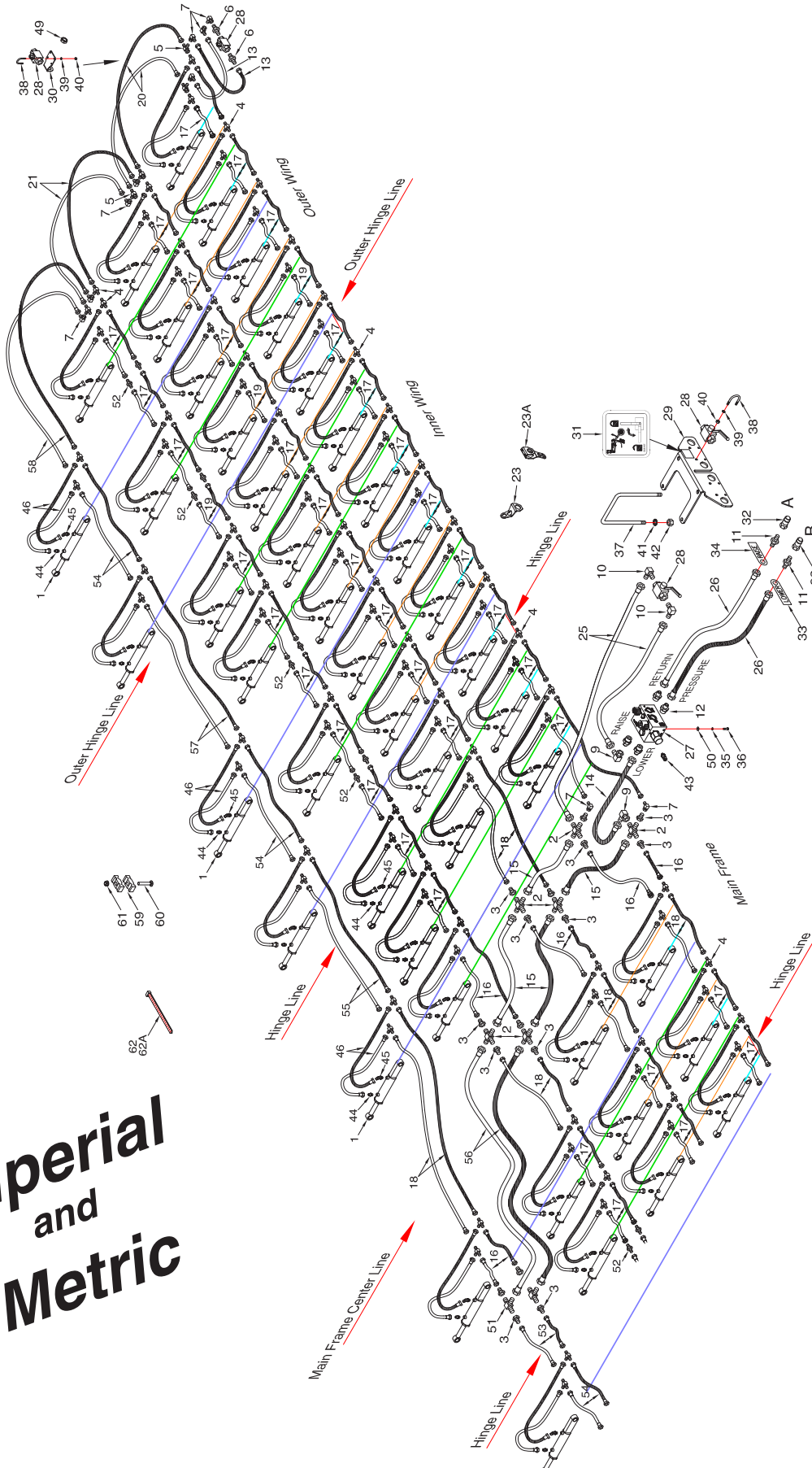
**Imperial
and
Metric**

Four Rank Hydraulic Option - 10 inch - 50 ft

Item	Part No.	Description	Qty
1	*****	Cylinder - Row Unit	60
2	C-4401	Cross - (4) 7/8-14 MJIC.....	6
3	F10384	Reducer - 7/8-14 MJIC x 9/16-18 MJIC - 4 for 4th Rank	18
4	C-4393	Tee - 9/16-18 MJIC - 6 for 4th Rank	124
5	C-4403	Tee - (2) 9/16-18 MJIC x (1) 9/16-18 FJIC (MMF)	8
6	C15348	Connector - 9/16-18 MJIC x 3/4-16 MORB.....	4
7	S29967	90 Elbow - 9/16-18 FJIC x 9/16-18 MJIC - 4 for 4th Rank.....	20
8	F-3867	90 Elbow - 9/16-18 (#06) MJIC.....	2
9	K-5806	90 Elbow - 7/8-14 FJIC x 7/8-14 MJIC	2
10	C24585	90 Elbow - 7/8-14 MJIC x 3/4-16 MORB	2
11	C14840	Connector - 7/8-14 MJIC x 3/4-16 MORB	2
12	N47903	Connector - 7/8-14 (#10) MJIC x 1 1/16-12 (#12) MORB	4
13	S66243	Hyd Hose - 1/4 x 22 Lg w/9/16-18 FJIC - Bleed-Off Valve.....	4
14	S66755	Hyd Hose - 1/2 x 30 Lg - #10 7/8-14 FJIC Swivel Ends	1
15	S66758	Hyd Hose - 1/2 x 34 Lg - #10 7/8-14 FJIC Swivel Ends	4
16	S47973	Hyd Hose - 3/8 x 20 Lg - #6 9/16-18 FJIC	10
17	S42967	Hyd Hose - 3/8 x 30Lg - #6 9/16-18 FJIC	98
18	S65670	Hyd Hose - 3/8 x 42 Lg - #6 9/16-18 FJIC	14
19	S65670	Hyd Hose - 3/8 x 42 Lg - #6 9/16-18 FJIC - Outer Hinge Line	12
20	S65407	Hyd Hose - 3/8 x 72 Lg - #6 9/16-18 FJIC Ends - 15m	4
	S47799	Hyd Hose - 3/8 x 60 Lg - #6 9/16-18 FJIC Ends - 50 ft	4
21	S66438	Hyd Hose - 3/8 x 92 Lg - #6 9/16-18 FJIC Ends - 15m	8
	S65397	Hyd Hose - 3/8 x 80 Lg - #6 9/16-18 FJIC Ends - 50 ft	4
22	S65420	Hyd Hose - 3/8 x 126 Lg - #6 9/16-18 FJIC Ends - Not required with 4th Row Kit.....	2
23	S66245	Hose Holder - Opener	58
23A	S67170	Hose Holder - Opener - Low Profile	6
24	S68415	Hose Holder Loop - Outer Hinge Line.....	4
25	S65668	Hyd Hose - 3/4 x 120 Lg - #10 7/8-14 FJIC Ends	2
26	S58157	Hyd Hose - 3/4 x 330 Lg - #10 7/8-14 FJIC Ends	2
27	S68006	Manifold - Opener Control	1
28	N42880	Lock Valve - 2 Way Ball	3
28A	N42881	Handle - Valve	1
29	S65129	Valve Mounting Plate.....	1
30	S66754	Mount Plate - Ball Valve.....	2
31	S65157	Decal ISO - Openers Lock	1
32	N34443	Male Tip - 3/4-16 MORB - Series B	2
33	S29959	Tag - Hose ID - Depth Control - LOWER	1
34	S29958	Tag - Hose ID - Depth Control - RAISE	1
35	W-523	Lockwasher - 3/8 ... (Valve Block)	4
36	W-475	Hex Bolt - 3/8 x 1 Lg(Valve Block)	4
37	H25628	U-Bolt - 1/2 x 6 x 9 3/8 Lg	2
38	N34319	U-Bolt - 1/4 x 1 1/2 x 2	4
39	W-521	Lockwasher - 1/4.....	8
40	W-512	Hex Nut - 1/4	8
41	W-525	Lockwasher - 1/2.....	4
42	W-516	Hex Nut - 1/2.....	4
43	K62977	Pressure Transducer	1
44	N29358	Connector - 9/16-18 (#06) MJIC x 9/16-18 (#06) MORB (1 per Opener)	60
45	N19578	45 Elbow - 9/16-18 (#06) MJIC x 9/16-18 (#06) MORB (1 per Opener).....	60
46	S66243	Hyd Hose - 1/4 x 22 Lg - #6 9/16-18 FJIC Ends (High Flex) (2 per Opener)	124
47	W-475	Hex Bolt - 3/8 x 1 Lg - Outer Hinge Line	4
48	D-5279	Locknut - 3/8 Serrated - Outer Hinge Line	4
49	S-711	Hex Jam Nut - 1	2
50	W-538	Flatwasher - 7/16 ID x 1 OD x 14 GA ... (Valve Block)	4
51	C-4394	Tee - (3) 7/8-14 MJIC.....	2
52	H18269	Connector - 9/16-18 (#06) MJIC.....	12
53	S65437	Hyd Hose - 3/8 x 54 Lg - #6 9/16-18 FJIC	2
54	S47799	Hyd Hose - 3/8 x 60 Lg - #6 9/16-18 FJIC	4
55	S65397	Hyd Hose - 3/8 x 80 Lg - #6 9/16-18 FJIC	6
56	H-4408	Hyd Hose - 1/2 x 84 Lg w/7/8-14 FJIC.....	2
57	C-4698	Oil Line Clamp.....	8
58	W14501	Carriage Bolt - 3/8 x 2 1/4 Lg	4
59	S27987	Locknut - 3/8 Flanged Centre Lock	4
60	S13336	Nylon Tie Strap - 3/8 x 24 Lg.....	12
60A	D-4838	Nylon Tie Strap - 5/16 x 14 1/2 Lg	6

Imperial
and
Metric

Four Rank Hydraulic Option - 10 inch Spacing - 60 ft Model



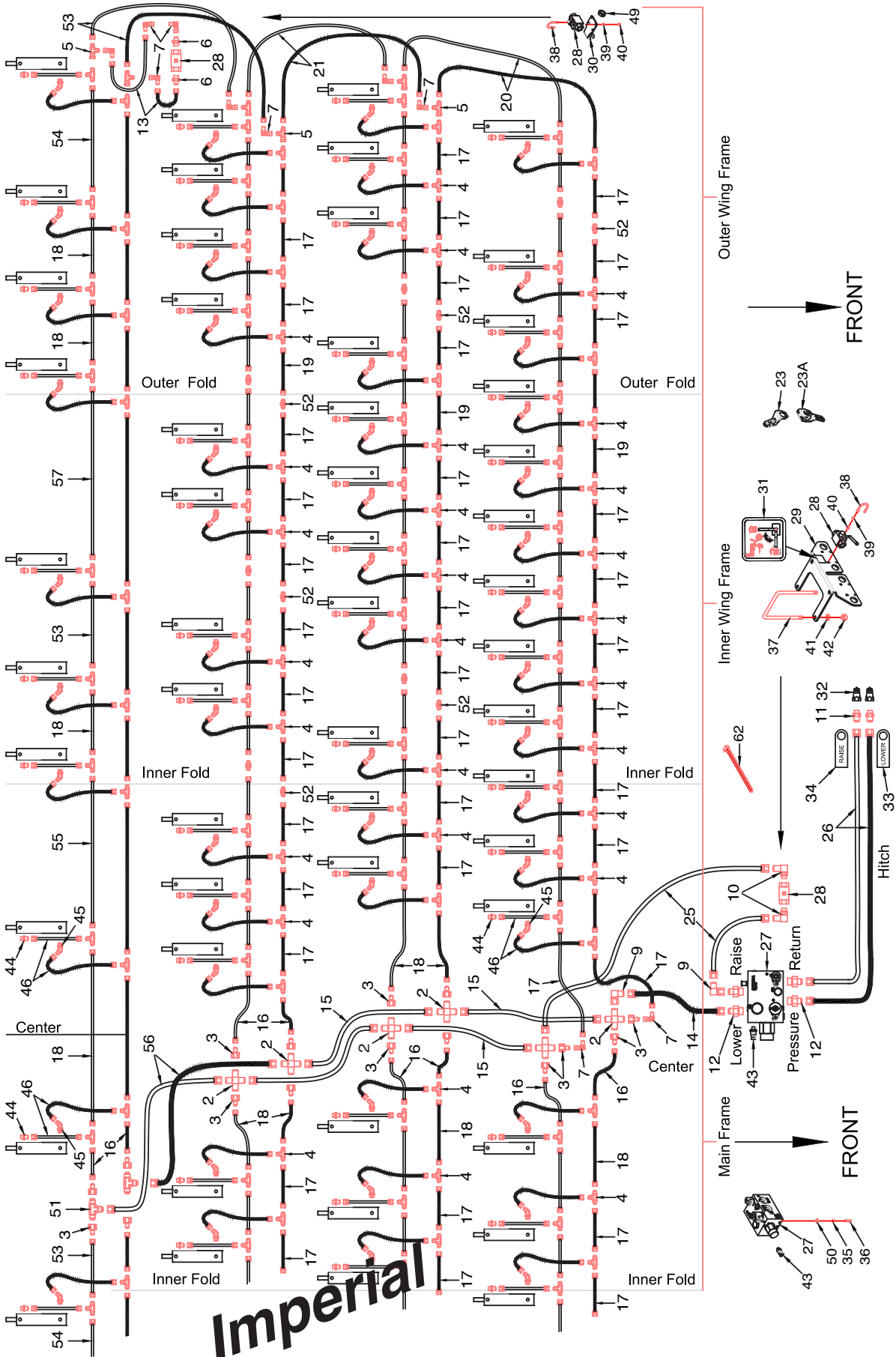
**Imperial
and
Metric**

Four Rank Hydraulic Option - 10 inch - 60 ft

Item	Part No.	Description	Qty
1	*****	Cylinder - Row Unit	72
2	C-4401	Cross - (4) 7/8-14 MJIC	6
3	F10384	Reducer - 7/8-14 MJIC x 9/16-18 MJIC - 4 for 4th Rank	18
4	C-4393	Tee - 9/16-18 MJIC - 2 for 4th Rank	144
5	C-4403	Tee - (2) 9/16-18 MJIC x (1) 9/16-18 FJIC (MMF) - 4 for 4th Rank	8
6	C15348	Connector - 9/16-18 MJIC x 3/4-16 MORB	4
7	S29967	90 Elbow - 9/16-18 FJIC x 9/16-18 MJIC - 4 for 4th Rank	20
8	F-3867	90 Elbow - 9/16-18 (#06) MJIC	2
9	K-5806	90 Elbow - 7/8-14 FJIC x 7/8-14 MJIC	2
10	C24585	90 Elbow - 7/8-14 MJIC x 3/4-16 MORB	2
11	C14840	Connector - 7/8-14 MJIC x 3/4-16 MORB	2
12	N47903	Connector - 7/8-14 (#10) MJIC x 1 1/16-12 (#12) MORB	4
13	S66243	Hyd Hose - 1/4 x 22 Lg w/9/16-18 FJIC - Bleed-Off Valve	4
14	S66755	Hyd Hose - 1/2 x 30 Lg - #10 7/8-14 FJIC Swivel Ends	1
15	S66758	Hyd Hose - 1/2 x 34 Lg - #10 7/8-14 FJIC Swivel Ends	4
16	S47973	Hyd Hose - 3/8 x 20 Lg - #6 9/16-18 FJIC	10
17	S42967	Hyd Hose - 3/8 x 30Lg - #6 9/16-18 FJIC	122
18	S65670	Hyd Hose - 3/8 x 42 Lg - #6 9/16-18 FJIC	10
19	S65670	Hyd Hose - 3/8 x 42 Lg - #6 9/16-18 FJIC - Outer Hinge Line	12
20	S65407	Hyd Hose - 3/8 x 72 Lg - #6 9/16-18 FJIC Ends - 18m	4
	S47799	Hyd Hose - 3/8 x 60 Lg - #6 9/16-18 FJIC Ends - 60 ft	4
21	S66438	Hyd Hose - 3/8 x 92 Lg - #6 9/16-18 FJIC Ends - 18m	4
	S65397	Hyd Hose - 3/8 x 80 Lg - #6 9/16-18 FJIC Ends - 60 ft	4
22	S65420	Hyd Hose - 3/8 x 126 Lg - #6 9/16-18 FJIC Ends - Not required with 4th Row Kit	2
23	S66245	Hose Holder - Opener	66
23A	S67170	Hose Holder - Opener - Low Profile	6
24	S68415	Hose Holder Loop - Outer Hinge Line	4
25	S65668	Hyd Hose - 3/4 x 120 Lg - #10 7/8-14 FJIC Ends	2
26	S58157	Hyd Hose - 3/4 x 330 Lg - #10 7/8-14 FJIC Ends	2
27	S68006	Manifold - Opener Control	1
28	N42880	Lock Valve - 2 Way Ball	3
28A	N42881	Handle - Valve	1
29	S65129	Valve Mounting Plate	1
30	S66754	Mount Plate - Ball Valve	2
31	S65157	Decal ISO - Openers Lock	1
32	N34443	Male Tip - 3/4-16 MORB - Series B	2
33	S29959	Tag - Hose ID - Depth Control - LOWER	1
34	S29958	Tag - Hose ID - Depth Control - RAISE	1
35	W-523	Lockwasher - 3/8 ... (Valve Block)	4
36	W-475	Hex Bolt - 3/8 x 1 Lg ... (Valve Block)	4
37	H25628	U-Bolt - 1/2 x 6 x 9 3/8 Lg	2
38	N34319	U-Bolt - 1/4 x 1 1/2 x 2	4
39	W-521	Lockwasher - 1/4	8
40	W-512	Hex Nut - 1/4	8
41	W-525	Lockwasher - 1/2	4
42	W-516	Hex Nut - 1/2	4
43	K62977	Pressure Transducer	1
44	N29358	Connector - 9/16-18 (#06) MJIC x 9/16-18 (#06) MORB (1 per Opener)	72
45	N19578	45 Elbow - 9/16-18 (#06) MJIC x 9/16-18 (#06) MORB (1 per Opener)	72
46	S66243	Hyd Hose - 1/4 x 22 Lg - #6 9/16-18 FJIC Ends (High Flex) (2 per Opener)	148
47	W-475	Hex Bolt - 3/8 x 1 Lg - Outer Hinge Line	4
48	D-5279	Locknut - 3/8 Serrated - Outer Hinge Line	4
49	S-711	Hex Jam Nut - 1	2
50	W-538	Flatwasher - 7/16 ID x 1 OD x 14 GA ... (Valve Block)	4
51	C-4394	Tee - (3) 7/8-14 MJIC	2
52	H18269	Connector - 9/16-18 (#06) MJIC	16
53	S65437	Hyd Hose - 3/8 x 54 Lg - #6 9/16-18 FJIC	2
54	S47799	Hyd Hose - 3/8 x 60 Lg - #6 9/16-18 FJIC	8
55	S65397	Hyd Hose - 3/8 x 80 Lg - #6 9/16-18 FJIC	2
56	H-4408	Hyd Hose - 1/2 x 84 Lg w/7/8-14 FJIC	2
57	S65409	Hyd Hose - 3/8 x 108 Lg - 9/16-18 FJIC Ends	4
58	S66436	Hyd Hose - 3/8 x 86 Lg - #6 9/16-18 FJIC Ends	4
59	C-4698	Oil Line Clamp	12
60	W14501	Carriage Bolt - 3/8 x 2 1/4 Lg	6
61	S27987	Locknut - 3/8 Flanged Centre Lock	6
62	S13336	Nylon Tie Strap - 3/8 x 24 Lg	16
62A	D-4838	Nylon Tie Strap - 5/16 x 14 1/2 Lg	8

Imperial
and
Metric

Four Rank Hydraulic Option - 10 inch Spacing - 70 ft Model



Four Rank Hydraulic Option - 10 inch Spacing - 70 ft

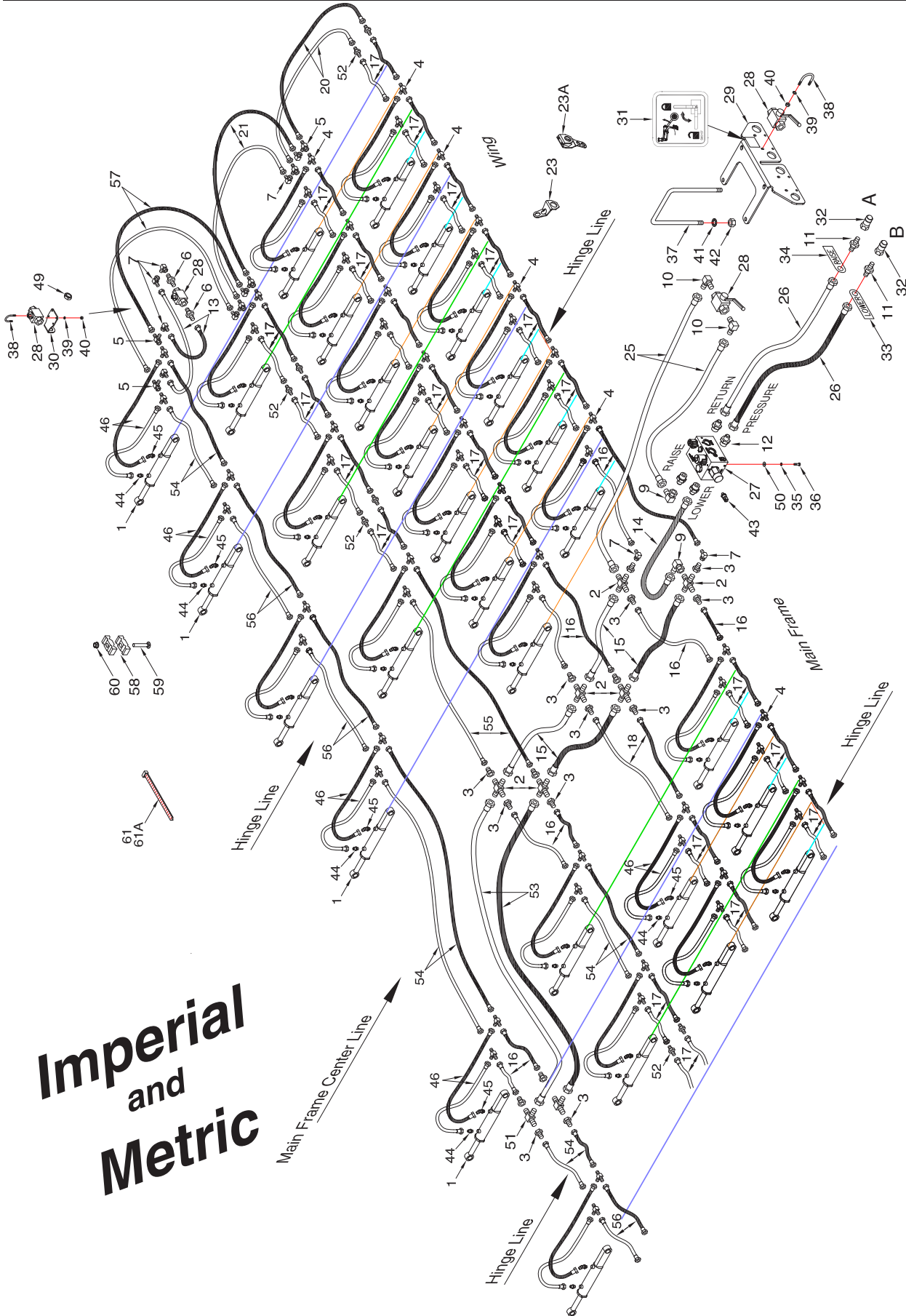
Item	Part No.	Description	Qty
1	*****	Cylinder - Row Unit	84
2	C-4401	Cross - (4) 7/8-14 MJIC	6
3	F10384	Reducer - 7/8-14 MJIC x 9/16-18 MJIC - 4 for 4th Rank	18
4	C-4393	Tee - 9/16-18 MJIC - 2 for 4th Rank	168
5	C-4403	Tee - (2) 9/16-18 MJIC x (1) 9/16-18 FJIC (MMF) - 4 for 4th Rank	8
6	C15348	Connector - 9/16-18 MJIC x 3/4-16 MORB	4
7	S29967	90 Elbow - 9/16-18 FJIC x 9/16-18 MJIC - 4 for 4th Rank	20
8	F-3867	90 Elbow - 9/16-18 (#06) MJIC	2
9	K-5806	90 Elbow - 7/8-14 FJIC x 7/8-14 MJIC	2
10	C24585	90 Elbow - 7/8-14 MJIC x 3/4-16 MORB	2
11	C14840	Connector - 7/8-14 MJIC x 3/4-16 MORB	2
12	N47903	Connector - 7/8-14 (#10) MJIC x 1 1/16-12 (#12) MORB	4
13	S66243	Hyd Hose - 1/4 x 22 Lg w/9/16-18 FJIC - Bleed-Off Valve	4
14	S66755	Hyd Hose - 1/2 x 30 Lg - #10 7/8-14 FJIC Swivel Ends	1
15	S66758	Hyd Hose - 1/2 x 34 Lg - #10 7/8-14 FJIC Swivel Ends	4
16	S47973	Hyd Hose - 3/8 x 20 Lg - #6 9/16-18 FJIC	10
17	S42967	Hyd Hose - 3/8 x 30Lg - #6 9/16-18 FJIC	146
18	S65670	Hyd Hose - 3/8 x 42 Lg - #6 9/16-18 FJIC	18
19	S65670	Hyd Hose - 3/8 x 42 Lg - #6 9/16-18 FJIC - Outer Hinge Line	12
20	S65407	Hyd Hose - 3/8 x 72 Lg - #6 9/16-18 FJIC Ends - 21m	4
	S47799	Hyd Hose - 3/8 x 60 Lg - #6 9/16-18 FJIC Ends - 70 ft	4
21	S66438	Hyd Hose - 3/8 x 92 Lg - #6 9/16-18 FJIC Ends - 21m	4
	S65397	Hyd Hose - 3/8 x 80 Lg - #6 9/16-18 FJIC Ends - 70 ft	4
22	S65420	Hyd Hose - 3/8 x 126 Lg - #6 9/16-18 FJIC Ends - Not required with 4th Row Kit	2
23	S66245	Hose Holder - Opener	78
23A	S67170	Hose Holder - Opener - Low Profile	6
24	S68415	Hose Holder Loop - Outer Hinge Line	4
25	S65668	Hyd Hose - 3/4 x 120 Lg - #10 7/8-14 FJIC Ends	2
26	S58157	Hyd Hose - 3/4 x 330 Lg - #10 7/8-14 FJIC Ends	2
27	S68006	Manifold - Opener Control	1
28	N42880	Lock Valve - 2 Way Ball	3
28A	N42881	Handle - Valve	1
29	S65129	Valve Mounting Plate	1
30	S66754	Mount Plate - Ball Valve	2
31	S65157	Decal ISO - Openers Lock	1
32	N34443	Male Tip - 3/4-16 MORB - Series B	2
33	S29959	Tag - Hose ID - Depth Control - LOWER	1
34	S29958	Tag - Hose ID - Depth Control - RAISE	1
35	W-523	Lockwasher - 3/8 ... (Valve Block)	4
36	W-475	Hex Bolt - 3/8 x 1 Lg ... (Valve Block)	4
37	H25628	U-Bolt - 1/2 x 6 x 9 3/8 Lg	2
38	N34319	U-Bolt - 1/4 x 1 1/2 x 2	4
39	W-521	Lockwasher - 1/4	8
40	W-512	Hex Nut - 1/4	8
41	W-525	Lockwasher - 1/2	4
42	W-516	Hex Nut - 1/2	4
43	K62977	Pressure Transducer	1
44	N29358	Connector - 9/16-18 (#06) MJIC x 9/16-18 (#06) MORB (1 per Opener)	84
45	N19578	45 Elbow - 9/16-18 (#06) MJIC x 9/16-18 (#06) MORB (1 per Opener)	84
46	S66243	Hyd Hose - 1/4 x 22 Lg - #6 9/16-18 FJIC Ends (High Flex) (2 per Opener)	172
47	W-475	Hex Bolt - 3/8 x 1 Lg - Outer Hinge Line	4
48	D-5279	Locknut - 3/8 Serrated - Outer Hinge Line	4
49	S-711	Hex Jam Nut - 1	2
50	W-538	Flatwasher - 7/16 ID x 1 OD x 14 GA ... (Valve Block)	4
51	C-4394	Tee - (3) 7/8-14 MJIC	2
52	H18269	Connector - 9/16-18 (#06) MJIC	24
53	S65437	Hyd Hose - 3/8 x 54 Lg - #6 9/16-18 FJIC	6
54	S47799	Hyd Hose - 3/8 x 60 Lg - #6 9/16-18 FJIC	4
55	S65397	Hyd Hose - 3/8 x 80 Lg - #6 9/16-18 FJIC	2
56	H-4408	Hyd Hose - 1/2 x 84 Lg w/7/8-14 FJIC	2
57	S65409	Hyd Hose - 3/8 x 108 Lg - 9/16-18 FJIC Ends	4
58	S44353	Hyd Hose - 3/8 x 48 Lg - #6 9/16-18 FJIC Ends	12
59	C-4698	Oil Line Clamp	12
60	W14501	Carriage Bolt - 3/8 x 2 1/4 Lg	6
61	S27987	Locknut - 3/8 Flanged Centre Lock	6
62	S13336	Nylon Tie Strap - 3/8 x 24 Lg	16
62A	D-4838	Nylon Tie Strap - 5/16 x 14 1/2 Lg	8

Imperial

Four Rank Hydraulic Option - 10 inch Spacing - 80 ft

Item	Part No.	Description	Qty
1	*****	Cylinder - Row Unit.....	97
2	C-4401	Cross - (4) 7/8-14 MJIC.....	6
3	F10384	Reducer - 7/8-14 MJIC x 9/16-18 MJIC.....	12
4	C-4393	Tee - 9/16-18 MJIC.....	190
5	C-4403	Tee - (2) 9/16-18 MJIC x (1) 9/16-18 FJIC (MMF).....	18
6	C15348	Connector - 9/16-18 MJIC x 3/4-16 MORB.....	4
7	S29967	90 Elbow - 9/16-18 FJIC x 9/16-18 MJIC - (G73216-10) (G73219-16).....	38
8	F-3867	90 Elbow - 9/16-18 (#06) MJIC.....	4
9	K-5806	90 Elbow - 7/8-14 FJIC x 7/8-14 MJIC.....	2
10	C24585	90 Elbow - 7/8-14 MJIC x 3/4-16 MORB.....	2
11	C14840	Connector - 7/8-14 MJIC x 3/4-16 MORB.....	2
12	N47903	Connector - 7/8-14 (#10) MJIC x 1 1/16-12 (#12) MORB.....	4
13	S66243	Hyd Hose - 1/4 x 22 Lg w/9/16-18 FJIC - Bleed-Off Valve.....	4
14	S66755	Hyd Hose - 1/2 x 30 Lg - #10 7/8-14 FJIC Swivel Ends.....	1
15	S66758	Hyd Hose - 1/2 x 34 Lg - #10 7/8-14 FJIC Swivel Ends.....	4
16	S47973	Hyd Hose - 3/8 x 20 Lg - #6 9/16-18 FJIC.....	8
17	S42967	Hyd Hose - 3/8 x 30 Lg - #6 9/16-18 FJIC.....	106
18	S65670	Hyd Hose - 3/8 x 42 Lg - #6 9/16-18 FJIC.....	28
19	S47799	Hyd Hose - 3/8 x 60 Lg - #6 9/16-18 FJIC.....	28
20	N53696	Hyd Hose - 3/8 x 66 Lg - 9/16-18 FJIC.....	8
21	S65407	Hyd Hose - 3/8 x 72 Lg - 9/16-18 FJIC Ends.....	8
22	S65419	Hyd Hose - 3/8 x 120 Lg - #6 9/16-18 FJIC Ends.....	4
23	S66245	Hose Holder - Opener.....	79
23A	S67170	Hose Holder - Opener - Low Profile.....	14
24	S68415	Hose Holder Loop - Outer Hinge Line.....	4
25	S65668	Hyd Hose - 3/4 x 120 Lg - #10 7/8-14 FJIC Ends.....	2
26	S58157	Hyd Hose - 3/4 x 330 Lg - #10 7/8-14 FJIC Ends.....	2
27	S68006	Manifold - Opener Control.....	1
28	N42880	Lock Valve - 2 Way Ball.....	3
28A	N42881	Handle - Valve.....	1
29	S65129	Valve Mounting Plate.....	1
30	S66754	Mount Plate - Ball Valve.....	2
31	S65157	Decal ISO - Openers Lock.....	1
32	N34443	Male Tip - 3/4-16 MORB - Series B.....	2
33	S29959	Tag - Hose ID - Depth Control - LOWER.....	1
34	S29958	Tag - Hose ID - Depth Control - RAISE.....	1
35	W-523	Lockwasher - 3/8 ... (Valve Block).....	4
36	W-475	Hex Bolt - 3/8 x 1 Lg(Valve Block).....	4
37	H25628	U-Bolt - 1/2 x 6 x 9 3/8 Lg.....	2
38	N34319	U-Bolt - 1/4 x 1 1/2 x 2.....	4
39	W-521	Lockwasher - 1/4.....	8
40	W-512	Hex Nut - 1/4.....	8
41	W-525	Lockwasher - 1/2.....	4
42	W-516	Hex Nut - 1/2.....	4
43	K62977	Pressure Transducer.....	1
44	N29358	Connector - 9/16-18 (#06) MJIC x 9/16-18 (#06) MORB (1 per Opener).....	97
45	N19578	45 Elbow - 9/16-18 (#06) MJIC x 9/16-18 (#06) MORB (1 per Opener).....	97
46	S66243	Hyd Hose - 1/4 x 22 Lg - #6 9/16-18 FJIC Ends (High Flex) (2 per Opener).....	194
47	W-475	Hex Bolt - 3/8 x 1 Lg - Outer Hinge Line.....	4
48	D-5279	Locknut - 3/8 Serrated - Outer Hinge Line.....	4
49	S-711	Hex Jam Nut - 1.....	2
50	W-538	Flatwasher - 7/16 ID x 1 OD x 14 GA ... (Valve Block).....	4
51	D-4951	Nylon Tie Strap - 3/16 x 7 1/2 Lg.....	97
52	S73390	Hyd Hose - 1/2 x 52 Lg - #10 7/8-14 FJIC x #6 9/16-18 FJIC Swivel Ends.....	2
53	S65437	Hyd Hose - 3/8 x 54 Lg - #6 9/16-18 FJIC Ends - Flip Wing Hinge Line.....	10
54	C-4698	Oil Line Clamp.....	28
55	W14501	Carriage Bolt - 3/8 x 2 1/4 Lg.....	14
56	S27987	Locknut - 3/8 Flanged Centre Lock.....	14
57	11740	Plastic Hose Clamp Assembly - 13/16.....	3
58	S66015	Carriage Bolt - 5/16 X 3 Lg.....	3
59	C32925	Locknut - 5/16 Center.....	3

Four Rank Hydraulic Option - 12 inch Spacing - 40 ft Model



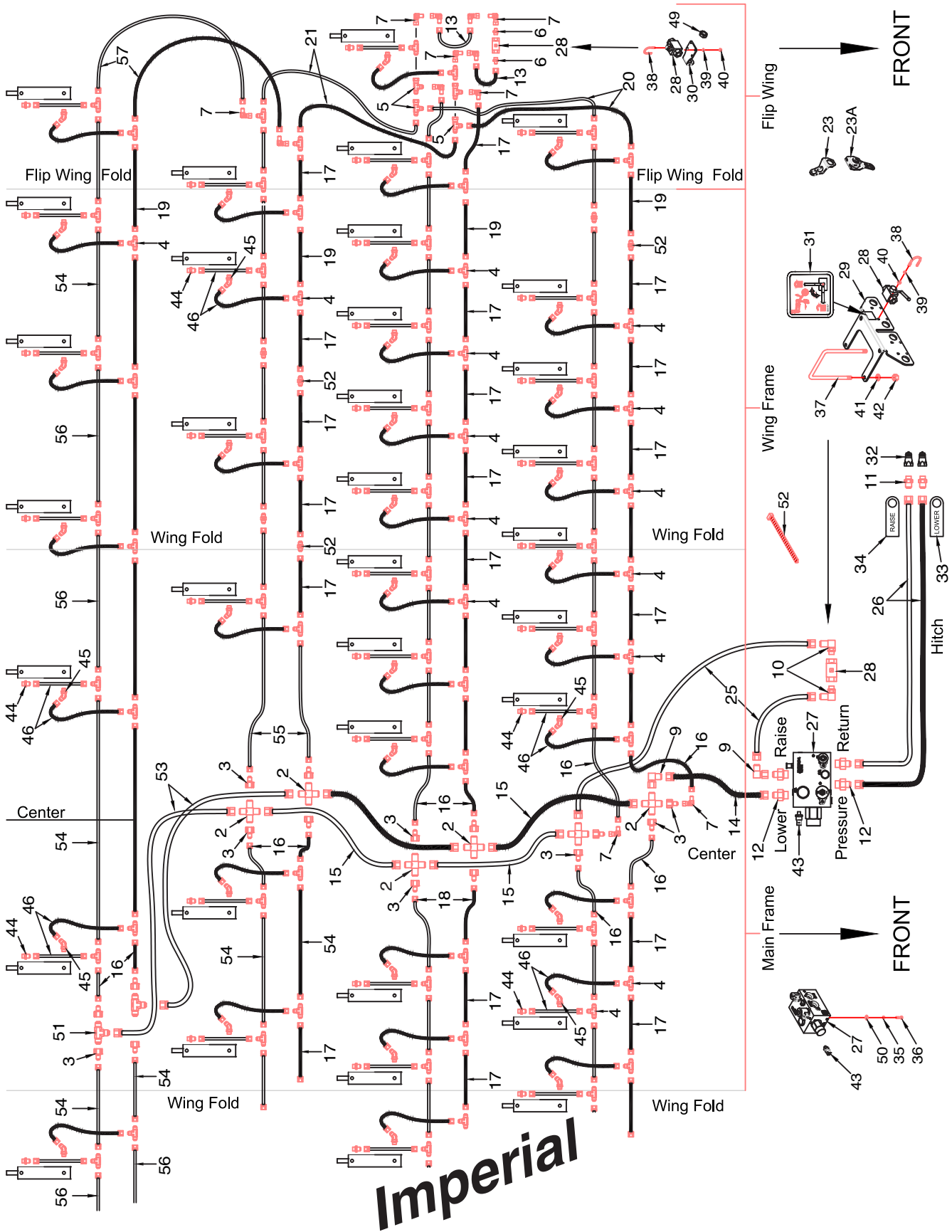
**Imperial
and
Metric**

Four Rank Hydraulic Option - 12 inch Spacing - 40 ft

Item	Part No.	Description	Qty
1	*****	Cylinder - Row Unit	40
2	C-4401	Cross - (4) 7/8-14 MJIC.....	6
3	F10384	Reducer - 7/8-14 MJIC x 9/16-18 MJIC - 4 for 4th Rank	18
4	C-4393	Tee - 9/16-18 MJIC	82
5	C-4403	Tee - (2) 9/16-18 MJIC x (1) 9/16-18 FJIC (MMF) - 4 for 4th Rank	12
6	C15348	Connector - 9/16-18 MJIC x 3/4-16 MORB.....	4
7	S29967	90 Elbow - 9/16-18 FJIC x 9/16-18 MJIC - 4 for 4th Rank.....	20
8	F-3867	90 Elbow - 9/16-18 (#06) MJIC.....	2
9	K-5806	90 Elbow - 7/8-14 FJIC x 7/8-14 MJIC	2
10	C24585	90 Elbow - 7/8-14 MJIC x 3/4-16 MORB	2
11	C14840	Connector - 7/8-14 MJIC x 3/4-16 MORB	2
12	N47903	Connector - 7/8-14 (#10) MJIC x 1 1/16-12 (#12) MORB	4
13	S66243	Hyd Hose - 1/4 x 22 Lg w/9/16-18 FJIC - Bleed-Off Valve.....	4
14	S66755	Hyd Hose - 1/2 x 30 Lg - #10 7/8-14 FJIC Swivel Ends	1
15	S66758	Hyd Hose - 1/2 x 34 Lg - #10 7/8-14 FJIC Swivel Ends	4
16	S47973	Hyd Hose - 3/8 x 20 Lg - #6 9/16-18 FJIC - 4 for 4th Rank	10
17	S42969	Hyd Hose - 3/8 x 36 Lg - #6 9/16-18 FJIC	70
18	S65670	Hyd Hose - 3/8 x 42 Lg - #6 9/16-18 FJIC	2
19	S44353	Hyd Hose - 3/8 x 48 Lg - #6 9/16-18 FJIC - Outer Hinge Line	14
20	S65407	Hyd Hose - 3/8 x 72 Lg - #6 9/16-18 FJIC Ends - 12m	4
	N53696	Hyd Hose - 3/8 x 66 Lg - #6 9/16-18 FJIC Ends - 40 ft	4
21	N48126	Hyd Hose - 3/8 x 76 Lg - #6 9/16-18 FJIC Ends - 12m	4
	N53696	Hyd Hose - 3/8 x 66 Lg - #6 9/16-18 FJIC Ends - 40 ft	4
22	S65420	Hyd Hose - 3/8 x 126 Lg - #6 9/16-18 FJIC Ends - Not required with 4th Row Kit.....	2
23	S66245	Hose Holder - Opener	38
23A	S67170	Hose Holder - Opener - Low Profile	6
24	S68415	Hose Holder Loop - Outer Hinge Line.....	4
25	S65668	Hyd Hose - 3/4 x 120 Lg - #10 7/8-14 FJIC Ends	2
26	S58157	Hyd Hose - 3/4 x 330 Lg - #10 7/8-14 FJIC Ends	2
27	S68006	Manifold - Opener Control	1
28	N42880	Lock Valve - 2 Way Ball	3
28A	N42881	Handle - Valve	1
29	S65129	Valve Mounting Plate.....	1
30	S66754	Mount Plate - Ball Valve.....	2
31	S65157	Decal ISO - Openers Lock	1
32	N34443	Male Tip - 3/4-16 MORB - Series B	2
33	S29959	Tag - Hose ID - Depth Control - LOWER	1
34	S29958	Tag - Hose ID - Depth Control - RAISE	1
35	W-523	Lockwasher - 3/8 ... (Valve Block)	4
36	W-475	Hex Bolt - 3/8 x 1 Lg(Valve Block)	4
37	H25628	U-Bolt - 1/2 x 6 x 9 3/8 Lg	2
38	N34319	U-Bolt - 1/4 x 1 1/2 x 2	4
39	W-521	Lockwasher - 1/4.....	8
40	W-512	Hex Nut - 1/4	8
41	W-525	Lockwasher - 1/2.....	4
42	W-516	Hex Nut - 1/2.....	4
43	K62977	Pressure Transducer	1
44	N29358	Connector - 9/16-18 (#06) MJIC x 9/16-18 (#06) MORB (1 per Opener)	40
45	N19578	45 Elbow - 9/16-18 (#06) MJIC x 9/16-18 (#06) MORB (1 per Opener).....	40
46	S66243	Hyd Hose - 1/4 x 22 Lg - #6 9/16-18 FJIC Ends (High Flex) (2 per Opener)	84
47	W-475	Hex Bolt - 3/8 x 1 Lg - Outer Hinge Line	4
48	D-5279	Locknut - 3/8 Serrated - Outer Hinge Line	4
49	S-711	Hex Jam Nut - 1	2
50	W-538	Flatwasher - 7/16 ID x 1 OD x 14 GA ... (Valve Block)	4
51	C-4394	Tee - (3) 7/8-14 MJIC.....	2
52	H18269	Connector - 9/16-18 (#06) MJIC.....	12
53	H-4408	Hyd Hose - 1/2 x 84 Lg w/7/8-14 FJIC	2
54	S47799	Hyd Hose - 3/8 x 60 Lg - #6 9/16-18 FJIC	10
55	N53696	Hyd Hose - 3/8 x 66 Lg - 9/16-18 FJIC	2
56	S65407	Hyd Hose - 3/8 x 72 Lg - 9/16-18 FJIC Ends	6
57	S65437	Hyd Hose - 3/8 x 54 Lg - #6 9/16-18 FJIC	4
58	C-4698	Oil Line Clamp.....	8
59	W14501	Carriage Bolt - 3/8 x 2 1/4 Lg	4
60	S27987	Locknut - 3/8 Flanged Centre Lock	4
61	S13336	Nylon Tie Strap - 3/8 x 24 Lg.....	12
61A	D-4838	Nylon Tie Strap - 5/16 x 14 1/2 Lg	6

Imperial
and
Metric

Four Rank Hydraulic Option - 12 inch Spacing - 50 ft Model

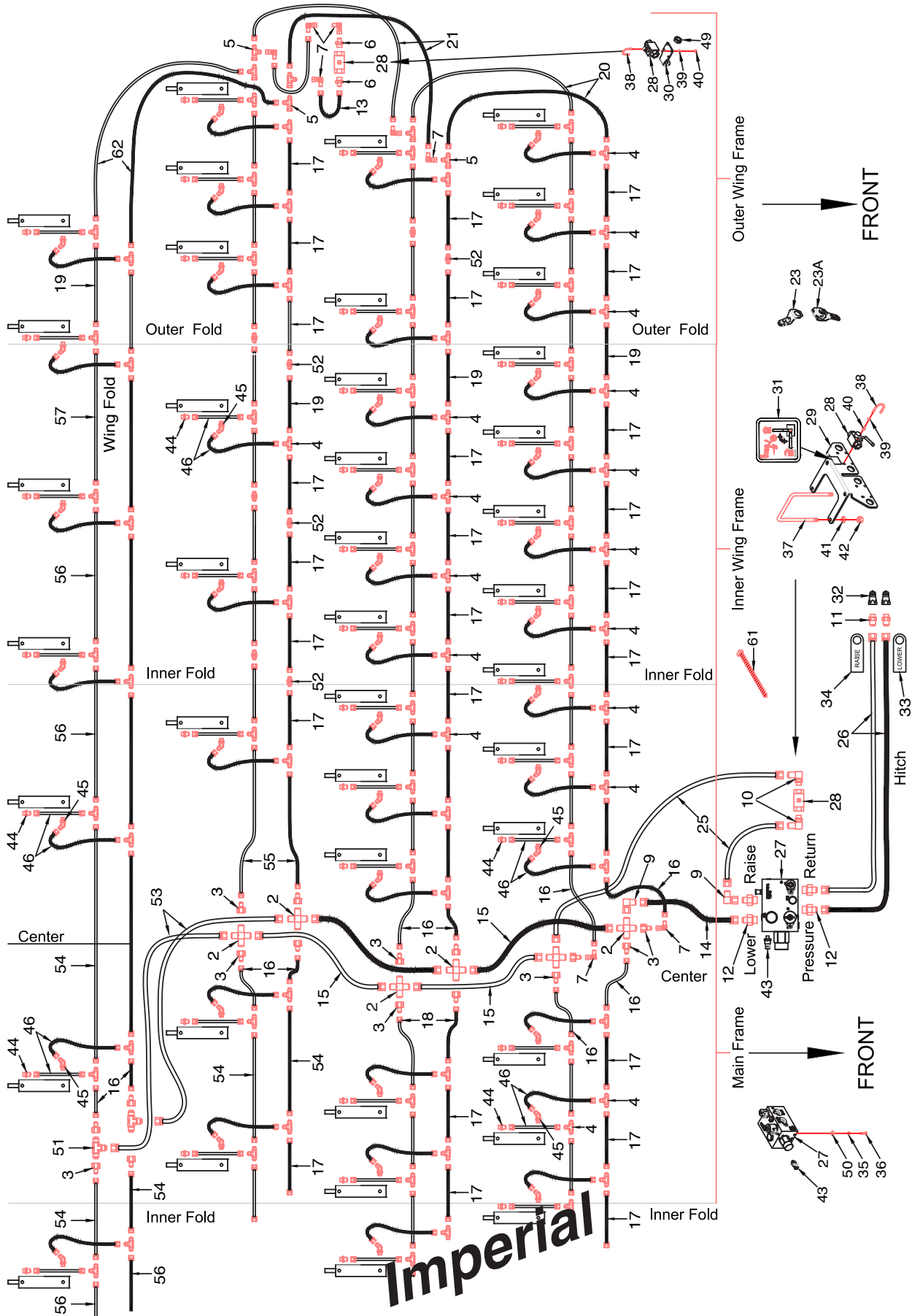


Four Rank Hydraulic Option - 12 inch Spacing - 50 ft

Item	Part No.	Description	Qty
1	*****	Cylinder - Row Unit	50
2	C-4401	Cross - (4) 7/8-14 MJIC.....	6
3	F10384	Reducer - 7/8-14 MJIC x 9/16-18 MJIC - 4 for 4th Rank	18
4	C-4393	Tee - 9/16-18 MJIC - 6 for 4th Rank	104
5	C-4403	Tee - (2) 9/16-18 MJIC x (1) 9/16-18 FJIC (MMF) - 4 for 4th Rank	12
6	C15348	Connector - 9/16-18 MJIC x 3/4-16 MORB.....	4
7	S29967	90 Elbow - 9/16-18 FJIC x 9/16-18 MJIC - 4 for 4th Rank.....	20
8	F-3867	90 Elbow - 9/16-18 (#06) MJIC.....	2
9	K-5806	90 Elbow - 7/8-14 FJIC x 7/8-14 MJIC	2
10	C24585	90 Elbow - 7/8-14 MJIC x 3/4-16 MORB	2
11	C14840	Connector - 7/8-14 MJIC x 3/4-16 MORB	2
12	N47903	Connector - 7/8-14 (#10) MJIC x 1 1/16-12 (#12) MORB	4
13	S66243	Hyd Hose - 1/4 x 22 Lg w/9/16-18 FJIC - Bleed-Off Valve.....	4
14	S66755	Hyd Hose - 1/2 x 30 Lg - #10 7/8-14 FJIC Swivel Ends	1
15	S66758	Hyd Hose - 1/2 x 34 Lg - #10 7/8-14 FJIC Swivel Ends	4
16	S47973	Hyd Hose - 3/8 x 20 Lg - #6 9/16-18 FJIC - 4 for 4th Rank	10
17	S42969	Hyd Hose - 3/8 x 36 Lg - #6 9/16-18 FJIC	78
18	S65670	Hyd Hose - 3/8 x 42 Lg - #6 9/16-18 FJIC	2
19	S44353	Hyd Hose - 3/8 x 48 Lg - #6 9/16-18 FJIC - Outer Hinge Line	16
20	N48126	Hyd Hose - 3/8 x 76 Lg - #6 9/16-18 FJIC Ends - 50 ft	4
21	N53696	Hyd Hose - 3/8 x 66 Lg - #6 9/16-18 FJIC Ends - 50 ft	4
22	S65420	Hyd Hose - 3/8 x 126 Lg - #6 9/16-18 FJIC Ends - Not required with 4th Row Kit.....	2
23	S66245	Hose Holder - Opener	48
23A	S67170	Hose Holder - Opener - Low Profile	6
24	S68415	Hose Holder Loop - Outer Hinge Line.....	4
25	S65668	Hyd Hose - 3/4 x 120 Lg - #10 7/8-14 FJIC Ends	2
26	S58157	Hyd Hose - 3/4 x 330 Lg - #10 7/8-14 FJIC Ends	2
27	S68006	Manifold - Opener Control	1
28	N42880	Lock Valve - 2 Way Ball	3
28A	N42881	Handle - Valve	1
29	S65129	Valve Mounting Plate.....	1
30	S66754	Mount Plate - Ball Valve.....	2
31	S65157	Decal ISO - Openers Lock	1
32	N34443	Male Tip - 3/4-16 MORB - Series B	2
33	S29959	Tag - Hose ID - Depth Control - LOWER	1
34	S29958	Tag - Hose ID - Depth Control - RAISE	1
35	W-523	Lockwasher - 3/8 ... (Valve Block)	4
36	W-475	Hex Bolt - 3/8 x 1 Lg (Valve Block)	4
37	H25628	U-Bolt - 1/2 x 6 x 9 3/8 Lg	2
38	N34319	U-Bolt - 1/4 x 1 1/2 x 2	4
39	W-521	Lockwasher - 1/4.....	8
40	W-512	Hex Nut - 1/4	8
41	W-525	Lockwasher - 1/2.....	4
42	W-516	Hex Nut - 1/2	4
43	K62977	Pressure Transducer	1
44	N29358	Connector - 9/16-18 (#06) MJIC x 9/16-18 (#06) MORB (1 per Opener)	50
45	N19578	45 Elbow - 9/16-18 (#06) MJIC x 9/16-18 (#06) MORB (1 per Opener)	50
46	S66243	Hyd Hose - 1/4 x 22 Lg - #6 9/16-18 FJIC Ends (High Flex) (2 per Opener)	104
47	W-475	Hex Bolt - 3/8 x 1 Lg - Outer Hinge Line	4
48	D-5279	Locknut - 3/8 Serrated - Outer Hinge Line	4
49	S-711	Hex Jam Nut - 1	2
50	W-538	Flatwasher - 7/16 ID x 1 OD x 14 GA ... (Valve Block)	4
51	C-4394	Tee - (3) 7/8-14 MJIC.....	2
52	H18269	Connector - 9/16-18 (#06) MJIC.....	12
53	H-4408	Hyd Hose - 1/2 x 84 Lg w/7/8-14 FJIC	2
54	S47799	Hyd Hose - 3/8 x 60 Lg - #6 9/16-18 FJIC	10
55	N53696	Hyd Hose - 3/8 x 66 Lg - 9/16-18 FJIC	2
56	S65407	Hyd Hose - 3/8 x 72 Lg - 9/16-18 FJIC Ends	6
57	S65397	Hyd Hose - 3/8 x 80 Lg - #6 9/16-18 FJIC	4
58	C-4698	Oil Line Clamp.....	8
59	W14501	Carriage Bolt - 3/8 x 2 1/4 Lg	4
60	S27987	Locknut - 3/8 Flanged Centre Lock	4
61	S13336	Nylon Tie Strap - 3/8 x 24 Lg.....	12
61A	D-4838	Nylon Tie Strap - 5/16 x 14 1/2 Lg	6

Imperial

Four Rank Hydraulic Option - 12 inch Spacing - 60 ft Model

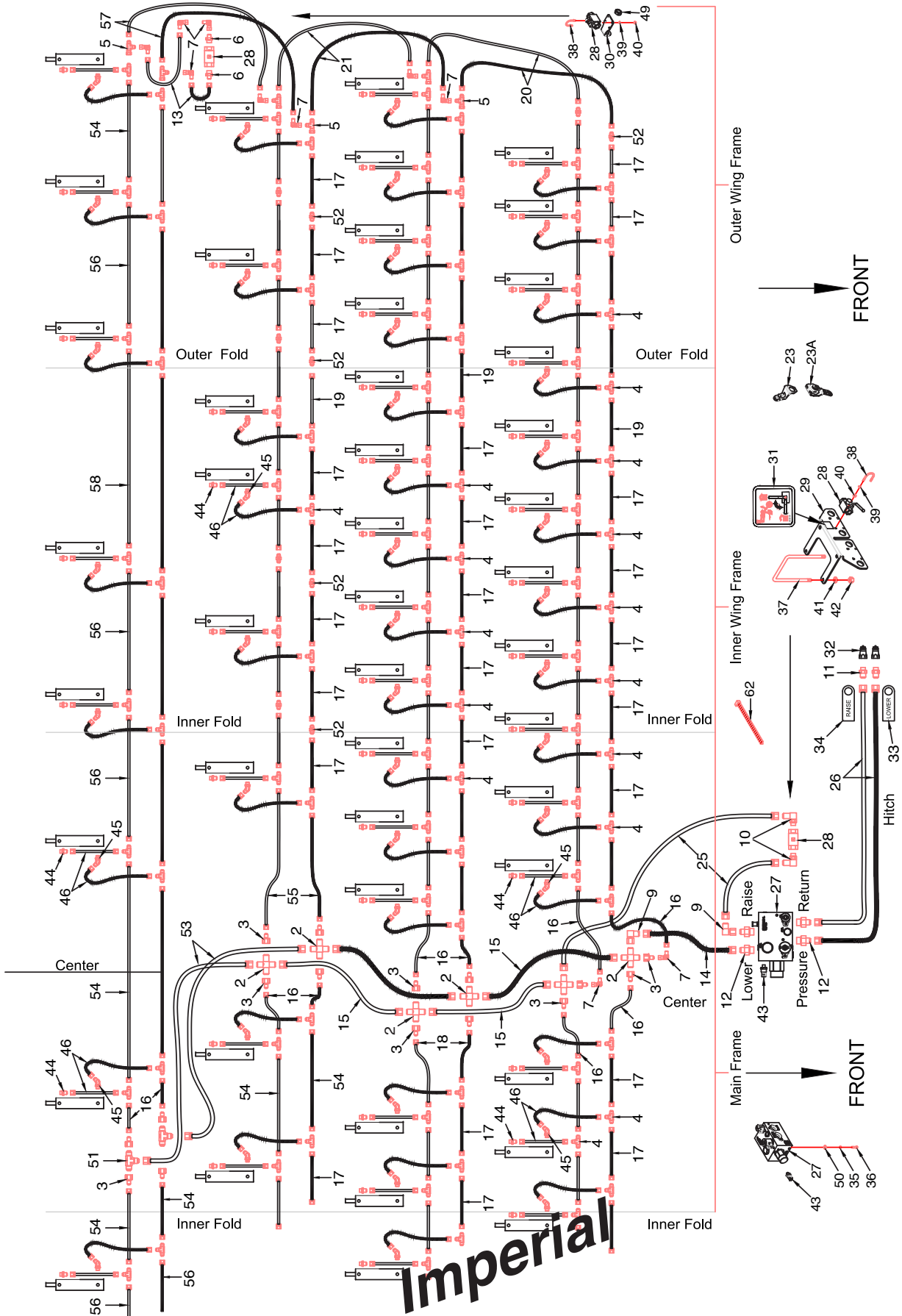


Four Rank Hydraulic Option - 12 inch Spacing - 60 ft

Item	Part No.	Description	Qty
1	*****	Cylinder - Row Unit	60
2	C-4401	Cross - (4) 7/8-14 MJIC.....	6
3	F10384	Reducer - 7/8-14 MJIC x 9/16-18 MJIC - 4 for 4th Rank	18
4	C-4393	Tee - 9/16-18 MJIC - 6 for 4th Rank	124
5	C-4403	Tee - (2) 9/16-18 MJIC x (1) 9/16-18 FJIC (MMF) - 4 for 4th Rank	12
6	C15348	Connector - 9/16-18 MJIC x 3/4-16 MORB.....	4
7	S29967	90 Elbow - 9/16-18 FJIC x 9/16-18 MJIC - 4 for 4th Rank.....	20
8	F-3867	90 Elbow - 9/16-18 (#06) MJIC.....	2
9	K-5806	90 Elbow - 7/8-14 FJIC x 7/8-14 MJIC	2
10	C24585	90 Elbow - 7/8-14 MJIC x 3/4-16 MORB	2
11	C14840	Connector - 7/8-14 MJIC x 3/4-16 MORB	2
12	N47903	Connector - 7/8-14 (#10) MJIC x 1 1/16-12 (#12) MORB	4
13	S66243	Hyd Hose - 1/4 x 22 Lg w/9/16-18 FJIC - Bleed-Off Valve.....	4
14	S66755	Hyd Hose - 1/2 x 30 Lg - #10 7/8-14 FJIC Swivel Ends	1
15	S66758	Hyd Hose - 1/2 x 34 Lg - #10 7/8-14 FJIC Swivel Ends	4
16	S47973	Hyd Hose - 3/8 x 20 Lg - #6 9/16-18 FJIC - 4 for 4th Rank	10
17	S42969	Hyd Hose - 3/8 x 36 Lg - #6 9/16-18 FJIC	98
18	S65670	Hyd Hose - 3/8 x 42 Lg - #6 9/16-18 FJIC	2
19	S44353	Hyd Hose - 3/8 x 48 Lg - #6 9/16-18 FJIC - Outer Hinge Line	16
20	S66436	Hyd Hose - 3/8 x 86 Lg - #6 9/16-18 FJIC Ends - 60ft.....	4
21	N48126	Hyd Hose - 3/8 x 76 Lg - #6 9/16-18 FJIC Ends - 60 ft	4
22	S65420	Hyd Hose - 3/8 x 126 Lg - #6 9/16-18 FJIC Ends - Not required with 4th Row Kit.....	2
23	S66245	Hose Holder - Opener	54
23A	S67170	Hose Holder - Opener - Low Profile	6
24	S68415	Hose Holder Loop - Outer Hinge Line.....	4
25	S65668	Hyd Hose - 3/4 x 120 Lg - #10 7/8-14 FJIC Ends	2
26	S58157	Hyd Hose - 3/4 x 330 Lg - #10 7/8-14 FJIC Ends	2
27	S68006	Manifold - Opener Control	1
28	N42880	Lock Valve - 2 Way Ball	3
28A	N42881	Handle - Valve	1
29	S65129	Valve Mounting Plate.....	1
30	S66754	Mount Plate - Ball Valve.....	2
31	S65157	Decal ISO - Openers Lock	1
32	N34443	Male Tip - 3/4-16 MORB - Series B.....	2
33	S29959	Tag - Hose ID - Depth Control - LOWER	1
34	S29958	Tag - Hose ID - Depth Control - RAISE	1
35	W-523	Lockwasher - 3/8 ... (Valve Block)	4
36	W-475	Hex Bolt - 3/8 x 1 Lg(Valve Block)	4
37	H25628	U-Bolt - 1/2 x 6 x 9 3/8 Lg	2
38	N34319	U-Bolt - 1/4 x 1 1/2 x 2	4
39	W-521	Lockwasher - 1/4.....	8
40	W-512	Hex Nut - 1/4.....	8
41	W-525	Lockwasher - 1/2.....	4
42	W-516	Hex Nut - 1/2	4
43	K62977	Pressure Transducer	1
44	N29358	Connector - 9/16-18 (#06) MJIC x 9/16-18 (#06) MORB (1 per Opener)	60
45	N19578	45 Elbow - 9/16-18 (#06) MJIC x 9/16-18 (#06) MORB (1 per Opener)	60
46	S66243	Hyd Hose - 1/4 x 22 Lg - #6 9/16-18 FJIC Ends (High Flex) (2 per Opener)	124
47	W-475	Hex Bolt - 3/8 x 1 Lg - Outer Hinge Line	4
48	D-5279	Locknut - 3/8 Serrated - Outer Hinge Line	4
49	S-711	Hex Jam Nut - 1	2
50	W-538	Flatwasher - 7/16 ID x 1 OD x 14 GA ... (Valve Block)	4
51	C-4394	Tee - (3) 7/8-14 MJIC.....	2
52	H18269	Connector - 9/16-18 (#06) MJIC.....	12
53	H-4408	Hyd Hose - 1/2 x 84 Lg w/7/8-14 FJIC	2
54	S47799	Hyd Hose - 3/8 x 60 Lg - #6 9/16-18 FJIC	6
55	N53696	Hyd Hose - 3/8 x 66 Lg - 9/16-18 FJIC	2
56	S65407	Hyd Hose - 3/8 x 72 Lg - 9/16-18 FJIC Ends	14
57	S66438	Hyd Hose - 3/8 x 92 Lg - #6 9/16-18 FJIC	4
58	C-4698	Oil Line Clamp.....	12
59	W14501	Carriage Bolt - 3/8 x 2 1/4 Lg	6
60	S27987	Locknut - 3/8 Flanged Centre Lock	6
61	S13336	Nylon Tie Strap - 3/8 x 24 Lg	16
61A	D-4838	Nylon Tie Strap - 5/16 x 14 1/2 Lg	8
62	S65409	Hyd Hose - 3/8 x 108 Lg- #6 9/16-18 FJIC Ends - 60 ft	4

Imperial

Four Rank Hydraulic Option - 12 inch Spacing - 70 ft Model



Four Rank Hydraulic Option - 12 inch Spacing - 70 ft

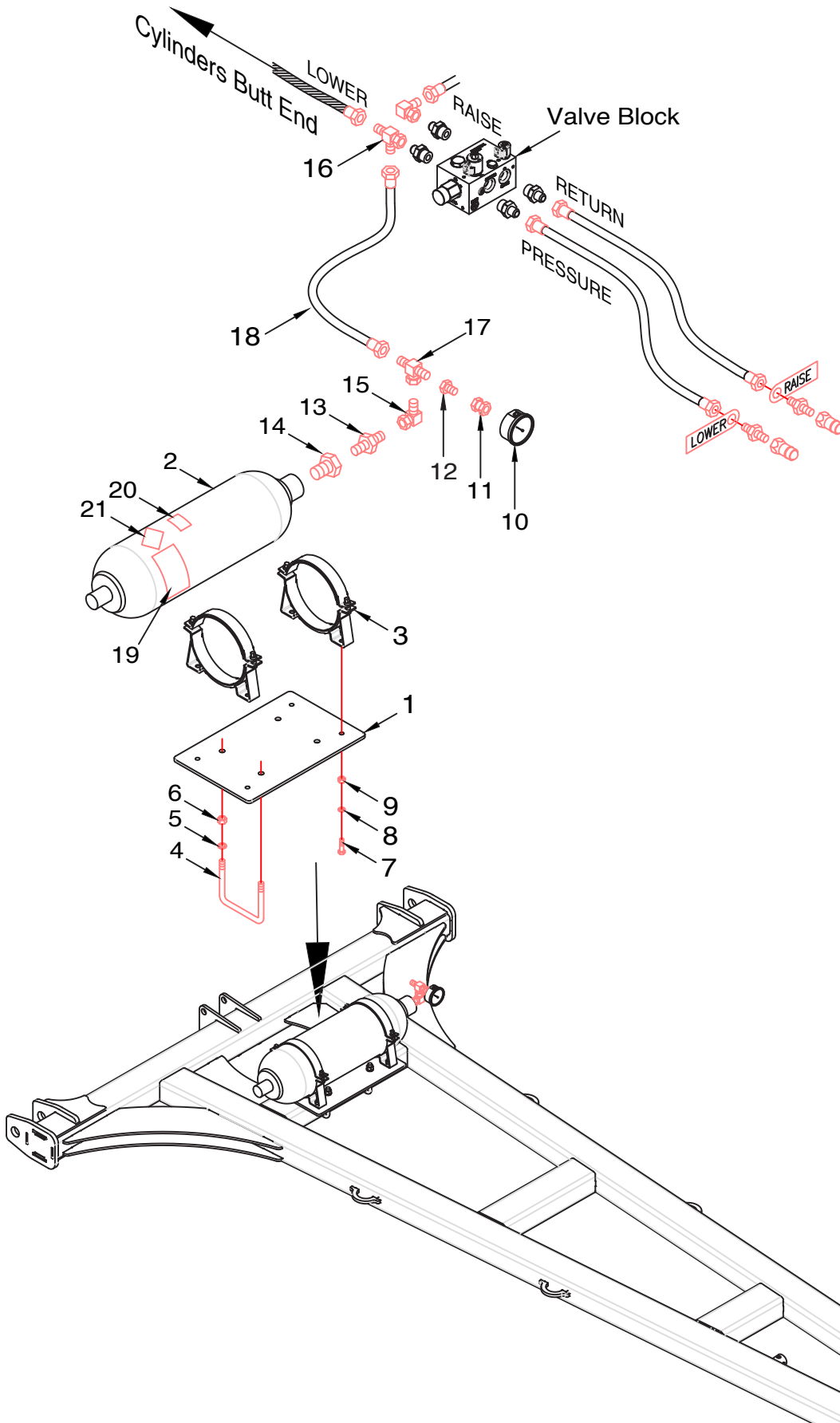
Item	Part No.	Description	Qty
1	*****	Cylinder - Row Unit	70
2	C-4401	Cross - (4) 7/8-14 MJIC.....	6
3	F10384	Reducer - 7/8-14 MJIC x 9/16-18 MJIC - 4 for 4th Rank	18
4	C-4393	Tee - 9/16-18 MJIC - 2 for 4th Rank	140
5	C-4403	Tee - (2) 9/16-18 MJIC x (1) 9/16-18 FJIC (MMF) - 4 for 4th Rank	12
6	C15348	Connector - 9/16-18 MJIC x 3/4-16 MORB.....	4
7	S29967	90 Elbow - 9/16-18 FJIC x 9/16-18 MJIC - 4 for 4th Rank.....	20
8	F-3867	90 Elbow - 9/16-18 (#06) MJIC.....	2
9	K-5806	90 Elbow - 7/8-14 FJIC x 7/8-14 MJIC	2
10	C24585	90 Elbow - 7/8-14 MJIC x 3/4-16 MORB	2
11	C14840	Connector - 7/8-14 MJIC x 3/4-16 MORB	2
12	N47903	Connector - 7/8-14 (#10) MJIC x 1 1/16-12 (#12) MORB	4
13	S66243	Hyd Hose - 1/4 x 22 Lg w/9/16-18 FJIC - Bleed-Off Valve.....	4
14	S66755	Hyd Hose - 1/2 x 30 Lg - #10 7/8-14 FJIC Swivel Ends	1
15	S66758	Hyd Hose - 1/2 x 34 Lg - #10 7/8-14 FJIC Swivel Ends	4
16	S47973	Hyd Hose - 3/8 x 20 Lg - #6 9/16-18 FJIC - 4 for 4th Rank	10
17	S42969	Hyd Hose - 3/8 x 36 Lg - #6 9/16-18 FJIC	118
18	S65670	Hyd Hose - 3/8 x 42 Lg - #6 9/16-18 FJIC	2
19	S44353	Hyd Hose - 3/8 x 48 Lg - #6 9/16-18 FJIC - Outer Hinge Line - 4 for 4th Rank	16
20	N53696	Hyd Hose - 3/8 x 66 Lg - #6 9/16-18 FJIC Ends - 70 ft	4
21	S66436	Hyd Hose - 3/8 x 86 Lg - #6 9/16-18 FJIC Ends - 70 ft	4
22	S65420	Hyd Hose - 3/8 x 126 Lg - #6 9/16-18 FJIC Ends - Not required with 4th Row Kit.....	2
23	S66245	Hose Holder - Opener	64
23A	S67170	Hose Holder - Opener - Low Profile	6
24	S68415	Hose Holder Loop - Outer Hinge Line.....	4
25	S65668	Hyd Hose - 3/4 x 120 Lg - #10 7/8-14 FJIC Ends	2
26	S58157	Hyd Hose - 3/4 x 330 Lg - #10 7/8-14 FJIC Ends	2
27	S68006	Manifold - Opener Control.....	1
28	N42880	Lock Valve - 2 Way Ball	3
28A	N42881	Handle - Valve	1
29	S65129	Valve Mounting Plate.....	1
30	S66754	Mount Plate - Ball Valve.....	2
31	S65157	Decal ISO - Openers Lock	1
32	N34443	Male Tip - 3/4-16 MORB - Series B.....	2
33	S29959	Tag - Hose ID - Depth Control - LOWER	1
34	S29958	Tag - Hose ID - Depth Control - RAISE	1
35	W-523	Lockwasher - 3/8 ... (Valve Block)	4
36	W-475	Hex Bolt - 3/8 x 1 Lg(Valve Block)	4
37	H25628	U-Bolt - 1/2 x 6 x 9 3/8 Lg	2
38	N34319	U-Bolt - 1/4 x 1 1/2 x 2	4
39	W-521	Lockwasher - 1/4.....	8
40	W-512	Hex Nut - 1/4.....	8
41	W-525	Lockwasher - 1/2.....	4
42	W-516	Hex Nut - 1/2	4
43	K62977	Pressure Transducer	1
44	N29358	Connector - 9/16-18 (#06) MJIC x 9/16-18 (#06) MORB (1 per Opener)	70
45	N19578	45 Elbow - 9/16-18 (#06) MJIC x 9/16-18 (#06) MORB (1 per Opener)	70
46	S66243	Hyd Hose - 1/4 x 22 Lg - #6 9/16-18 FJIC Ends (High Flex) (2 per Opener)	144
47	W-475	Hex Bolt - 3/8 x 1 Lg - Outer Hinge Line	4
48	D-5279	Locknut - 3/8 Serrated - Outer Hinge Line	4
49	S-711	Hex Jam Nut - 1	2
50	W-538	Flatwasher - 7/16 ID x 1 OD x 14 GA ... (Valve Block)	4
51	C-4394	Tee - (3) 7/8-14 MJIC.....	2
52	H18269	Connector - 9/16-18 (#06) MJIC.....	16
53	H-4408	Hyd Hose - 1/2 x 84 Lg w/7/8-14 FJIC	2
54	S47799	Hyd Hose - 3/8 x 60 Lg - #6 9/16-18 FJIC	10
55	N53696	Hyd Hose - 3/8 x 66 Lg - 9/16-18 FJIC	2
56	S65407	Hyd Hose - 3/8 x 72 Lg - 9/16-18 FJIC	12
57	S65437	Hyd Hose - 3/8 x 54 Lg - #6 9/16-18 FJIC	4
58	S65419	Hyd Hose - 3/8 x 120 Lg - #6 9/16-18 FJIC - 70 ft	4
59	C-4698	Oil Line Clamp.....	12
60	W14501	Carriage Bolt - 3/8 x 2 1/4 Lg	6
61	S27987	Locknut - 3/8 Flanged Centre Lock	6
62	S13336	Nylon Tie Strap - 3/8 x 24 Lg.....	16
62A	D-4838	Nylon Tie Strap - 5/16 x 14 1/2 Lg	8

Imperial

Four Rank Hydraulic Option - 12 inch Spacing - 80 ft

Item	Part No.	Description	Qty
1	*****	Cylinder - Row Unit.....	82
2	C-4401	Cross - (4) 7/8-14 MJIC	6
3	F10384	Reducer - 7/8-14 MJIC x 9/16-18 MJIC	12
4	C-4393	Tee - 9/16-18 MJIC	164
5	C-4403	Tee - (2) 9/16-18 MJIC x (1) 9/16-18 FJIC (MMF) -.....	14
6	C15348	Connector - 9/16-18 MJIC x 3/4-16 MORB.....	4
7	S29967	90 Elbow - 9/16-18 FJIC x 9/16-18 MJIC - (G73216-10) (G73218-16)	30
8	*****		
9	K-5806	90 Elbow - 7/8-14 FJIC x 7/8-14 MJIC.....	2
10	C24585	90 Elbow - 7/8-14 MJIC x 3/4-16 MORB.....	2
11	C14840	Connector - 7/8-14 MJIC x 3/4-16 MORB.....	2
12	N47903	Connector - 7/8-14 (#10) MJIC x 1 1/16-12 (#12) MORB.....	4
13	S66243	Hyd Hose - 1/4 x 22 Lg w/9/16-18 FJIC - Bleed-Off Valve	4
14	S66755	Hyd Hose - 1/2 x 30 Lg - #10 7/8-14 FJIC Swivel Ends	1
15	S66758	Hyd Hose - 1/2 x 34 Lg - #10 7/8-14 FJIC Swivel Ends.....	4
16	S47973	Hyd Hose - 3/8 x 20 Lg - #6 9/16-18 FJIC	6
17	S42969	Hyd Hose - 3/8 x 36 Lg - #6 9/16-18 FJIC.....	104
18	S65670	Hyd Hose - 3/8 x 42 Lg - #6 9/16-18 FJIC	10
19	S44353	Hyd Hose - 3/8 x 48 Lg - #6 9/16-18 FJIC - Outer Hinge Line.....	8
20	S47799	Hyd Hose - 3/8 x 60 Lg w/ #6 9/16-18 FJIC Ends - Flip Wing Hinge Front Rank	4
21	S65397	Hyd Hose - 3/8 x 80 Lg - 9/16-18 FJIC Ends.....	4
22	S65398	Hyd Hose - 3/8 x 150 Lg - #6 9/16-18 FJIC Ends	4
23	S66245	Hose Holder - Opener	64
23A	S67170	Hose Holder - Opener - Low Profile.....	14
24	S68415	Hose Holder Loop - Outer Hinge Line	4
25	S65668	Hyd Hose - 3/4 x 120 Lg - #10 7/8-14 FJIC Ends	2
26	S58157	Hyd Hose - 3/4 x 330 Lg - #10 7/8-14 FJIC Ends	2
27	S68006	Manifold - Opener Control	1
28	N42880	Lock Valve - 2 Way Ball.....	3
28A	N42881	Handle - Valve.....	1
29	S65129	Valve Mounting Plate	1
30	S66754	Mount Plate - Ball Valve	2
31	S65157	Decal ISO - Openers Lock.....	1
32	N34443	Male Tip - 3/4-16 MORB - Series B	2
33	S29959	Tag - Hose ID - Depth Control - LOWER	1
34	S29958	Tag - Hose ID - Depth Control - RAISE.....	1
35	W-523	Lockwasher - 3/8 ... (Valve Block)	4
36	W-475	Hex Bolt - 3/8 x 1 Lg(Valve Block).....	4
37	H25628	U-Bolt - 1/2 x 6 x 9 3/8 Lg.....	2
38	N34319	U-Bolt - 1/4 x 1 1/2 x 2.....	4
39	W-521	Lockwasher - 1/4	8
40	W-512	Hex Nut - 1/4.....	8
41	W-525	Lockwasher - 1/2	4
42	W-516	Hex Nut - 1/2.....	4
43	K62977	Pressure Transducer.....	1
44	N29358	Connector - 9/16-18 (#06) MJIC x 9/16-18 (#06) MORB (1 per Opener).....	82
45	N19578	45 Elbow - 9/16-18 (#06) MJIC x 9/16-18 (#06) MORB (1 per Opener)	82
46	S66243	Hyd Hose - 1/4 x 22 Lg - #6 9/16-18 FJIC Ends (High Flex) (2 per Opener).....	164
47	W-475	Hex Bolt - 3/8 x 1 Lg - Outer Hinge Line.....	4
48	D-5279	Locknut - 3/8 Serrated - Outer Hinge Line	4
49	S-711	Hex Jam Nut - 1.....	2
50	W-538	Flatwasher - 7/16 ID x 1 OD x 14 GA ... (Valve Block)	4
51	D-4951	Nylon Tie Strap - 3/16 x 7 1/2 Lg.....	82
52	S73390	Hyd Hose - 1/2 x 52 Lg - #10 7/8-14 FJIC x #6 9/16-18 FJIC Swivel Ends	2
53	N53696	Hyd Hose - 3/8 x 66 Lg - 9/16-18 FJIC	4
54	S65407	Hyd Hose - 3/8 x 72 Lg - 9/16-18 FJIC Ends	20
55	S73391	Hyd Hose - 3/8 x 82 Lg - #6 9/16-18 FJIC Swivel Ends	4
56	S65408	Hyd Hose - 3/8 x 96 Lg - #6 9/16-18 FJIC.....	4
57	C-4698	Oil Line Clamp.....	28
58	W14501	Carriage Bolt - 3/8 x 2 1/4 Lg.....	14
59	S27987	Locknut - 3/8 Flanged Centre Lock.....	14
60	11740	Plastic Hose Clamp Assembly - 13/16.....	3
61	S66015	Carriage Bolt - 5/16 X 3 Lg	3
62	C32925	Locknut - 5/16 Center	3

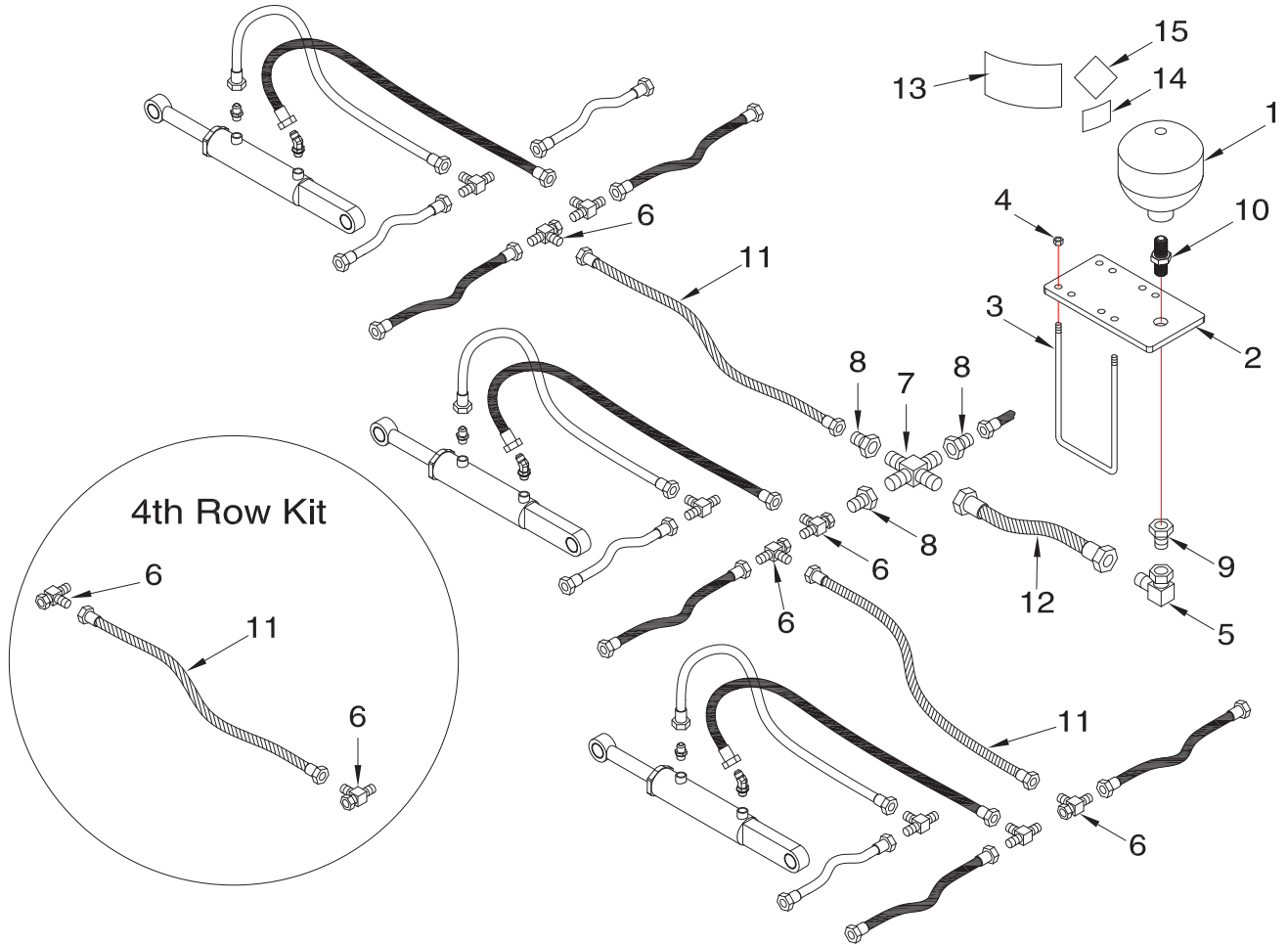
Accumulator Hydraulic Option Option 1 - Single Large Accumulator



Accumulator Hydraulic Option - Option 1

Item	Part No.	Description	Qty
1	S68230	Mount Plate - Accumulator.....	1
2	S47095	Accumulator - 5 Gallon	1
3	C42313	Clamp - Accumulator	2
4	F-4642	U-Bolt - 5/8 x 6 x 5 1/2 UL	2
5	W-526	Lockwasher - 5/8	4
6	W-517	Hex Nut - 5/8.....	4
7	W-485	Hex Bolt - 1/2 x 1 1/4 Lg	4
8	W-525	Lockwasher - 1/2	4
9	W-516	Hex Nut - 1/2.....	4
10	S48845	Pressure Gauge - 2 1/2 DIA with 1/4 NPT	1
11	S42998	Connector - 1/4 FNPT x 9/16-18 FJIC	1
12	F10384	Connector - 9/16-18 MJIC x 7/8-14 FJIC	1
13	C42312	Connector - 7/8-14 MJIC x 1 5/16-14 MORB	1
14	C42311	Connector - 1 7/8-14 MORB x 1 5/16-14 FORB	1
15	K-5806	90 Elbow - Swivel - 7/8-14 MJIC x 7/8-14 FJIC	1
16	H18746	Tee - Swivel - (2) 7/8-14 MJIC x (1) 7/8-14 FJIC (MMF)	1
17	F24559	Tee - (1) 7/8-14 FJIC x (2) 7/8-14 MJIC (MFM)	1
18	H-4410	Hyd Hose - 1/2 x 96 Lg W/7/8-14 FJIC.....	1
19	C-4262	Decal - Warning - Pressure Hazard	1
20	S44930	Decal - Pre-Charged Dry Nitrogen.....	1
21	S44932	Decal - Compressed Nitrogen - UN1066	1
	S68142	Accumulator Kit - QUANTUM (Includes all items above)	

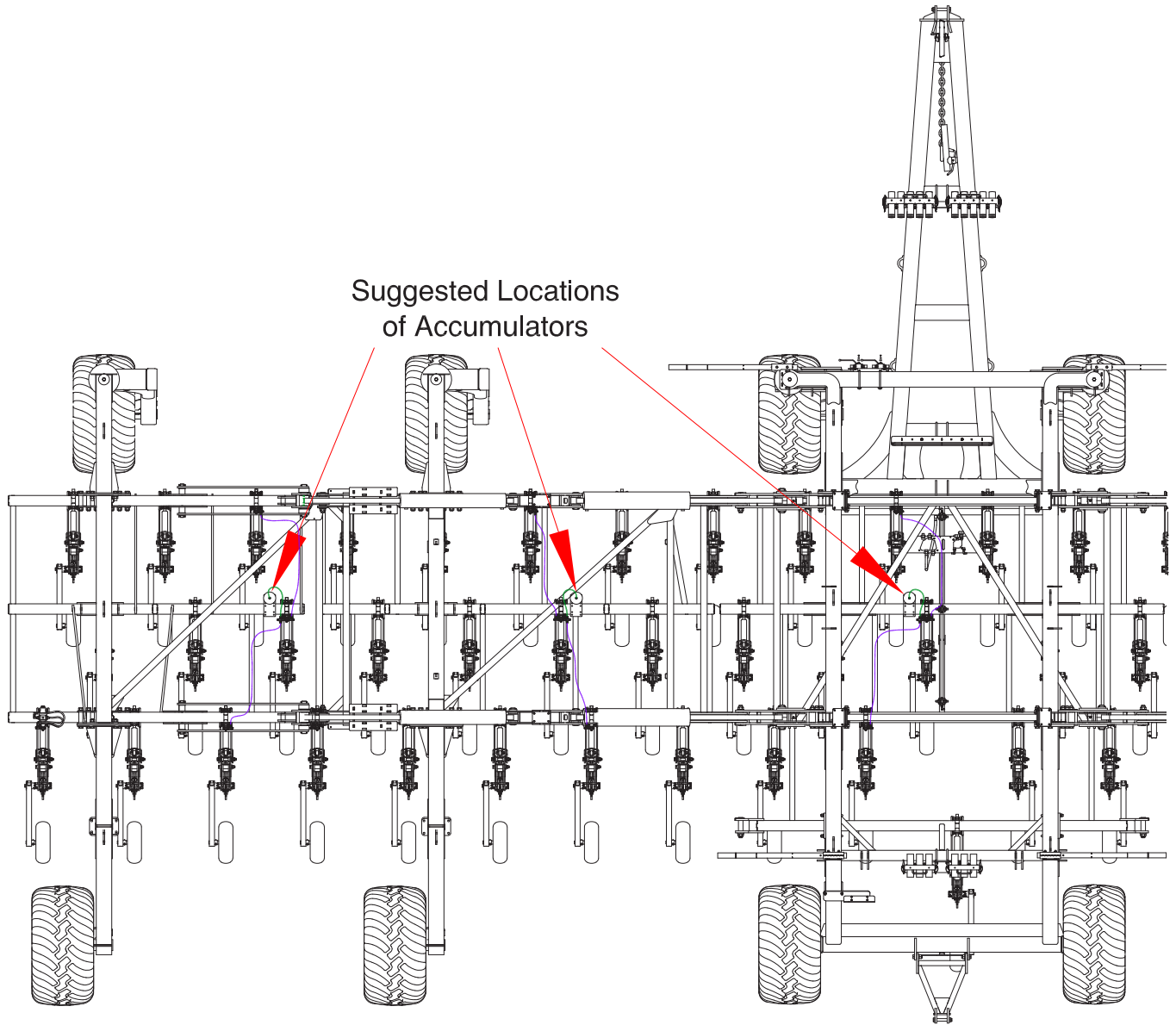
Accumulator Hydraulic Option Option 2 - Multiple Small Accumulators



Item	Part No.	Description	Qty
1	S71729	Accumulator - Small - Pre-Charged (North America) - Includes items 14, 15 and 16	1
1A	S71730	Accumulator - Small - No Charge (Export)	
2	S69720	Mount Plate - Accumulator.....	1
3	N19723	U-Bolt - 3/8 x 4 x 7 UL	2
4	S27987	Lock Nut - 3/8 Flanged Center.....	4
5	K-5806	90 Elbow - Swivel - 7/8-14 MJIC x 7/8-14 FJIC	1
6	C-4403	Tee - (2) 9/16-18 MJIC x (1) 9/16-18 FJIC (MMF).....	4
7	C-4401	Cross - (4) 7/8-14 MJIC	1
8	F10384	Connector - 9/16-18 MJIC x 7/8-14 FJIC	3
9	C15839	Connector - 7/8-14 (#10) MJIC x 3/4-16 (#08) FJIC	1
10	S71732	Bulk Head Union - 3/4-16 (#08) MJIC x 3/4-16 (#08) MORB.....	1
11	S47799	Hyd Hose - 3/8 x 60 Lg - 9/16-18 (#06) FJIC Ends	2
12	C-4468	Hyd Hose - 1/2 x 24 Lg W/7/8-14 FJIC.....	1
13	C-4262	Decal - Warning - Pressure Hazard	1
14	S44930	Decal - Pre-Charged Dry Nitrogen.....	1
15	S44932	Decal - Compressed Nitrogen - UN1066	1
	S69721	Accumulator Kit - QUANTUM (Includes all items above except for 1A) (North America)	
	S71731	Accumulator Kit - QUANTUM (Includes all items above except for 1) (Export)	
	S71733	4th Rank Kit - (Includes one of item 11 and two of item 6)	

Accumulator Hydraulic Option - Option 2

60 ft shown



Cylinder Seal Kits

Cylinders are supplied by multiple suppliers

- It is necessary to have the identifying stamp found by the port on the butt end of the cylinder.
See Tech Bulletin 473 for details.

Wing Lift Cylinders

C66871 Seal Kit - Cylinder C65366 - with stamp S

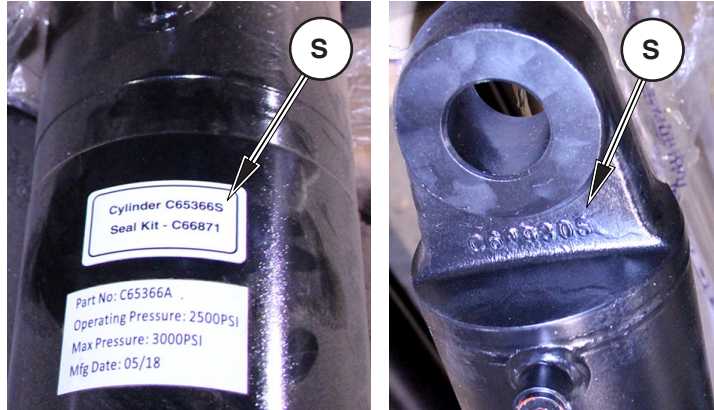
C66872 Seal Kit - Cylinder C64930 - with stamp S

C66873 Seal Kit - Cylinder C64920 - with stamp S

C60599 Seal Kit - Cylinder C65366 - with stamp R

C65379 Seal Kit - Cylinder C64930 - with stamp R

C65377 Seal Kit - Cylinder C64920 - with stamp R



Opener Cylinders - Prior to 2022

C71900 Seal Kit - Cylinder C64546 - with stamp M

C44461 Seal Kit - Cylinder C64546 - with stamp R



Cast Opener Cylinders - 2022 to present

C71900 Seal Kit - Cylinder C68272

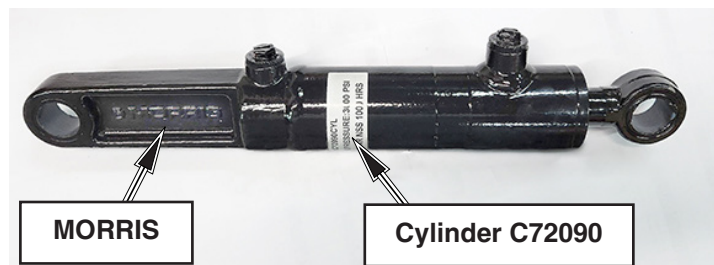
C72720 Seal Kit - Cylinder C72090



Monarch - C64546



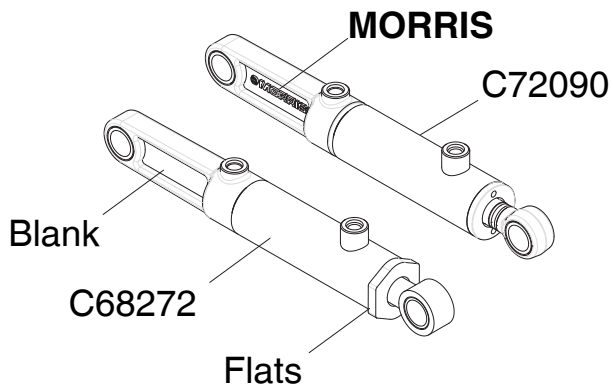
Cylinder C68272



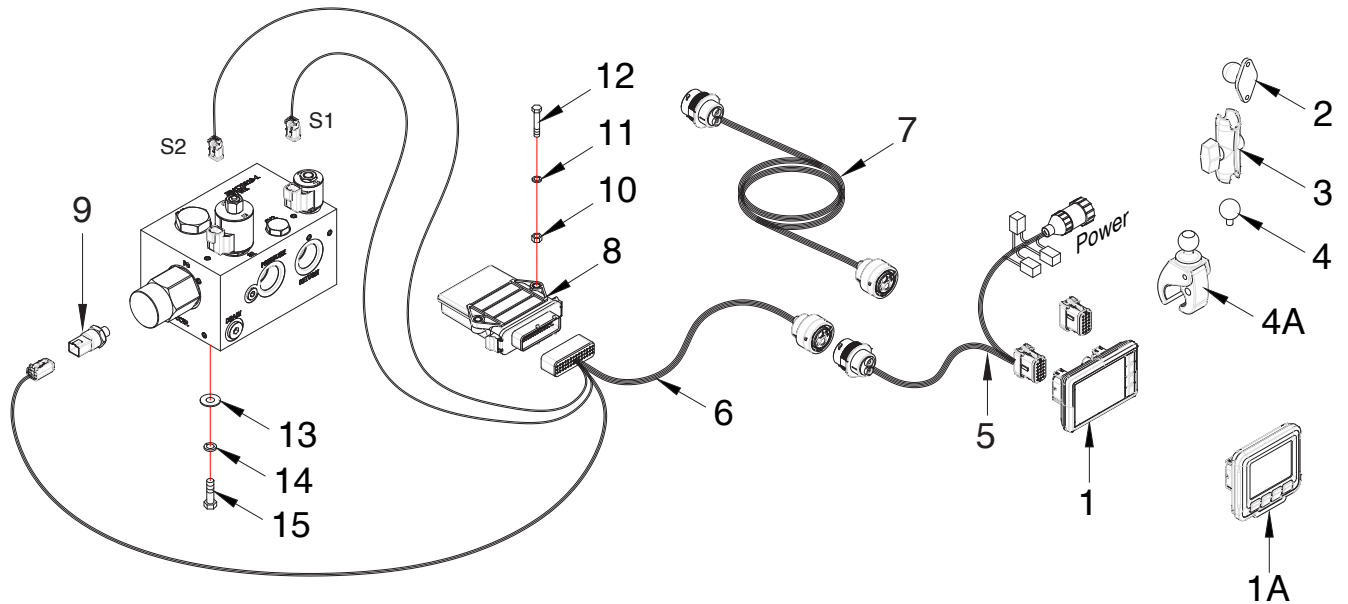
MORRIS

Cylinder C72090

Opener Cylinder ID

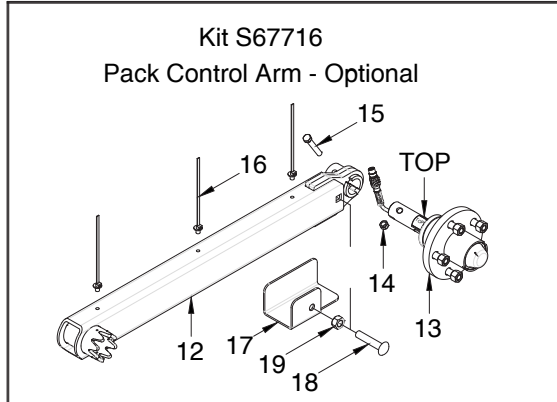
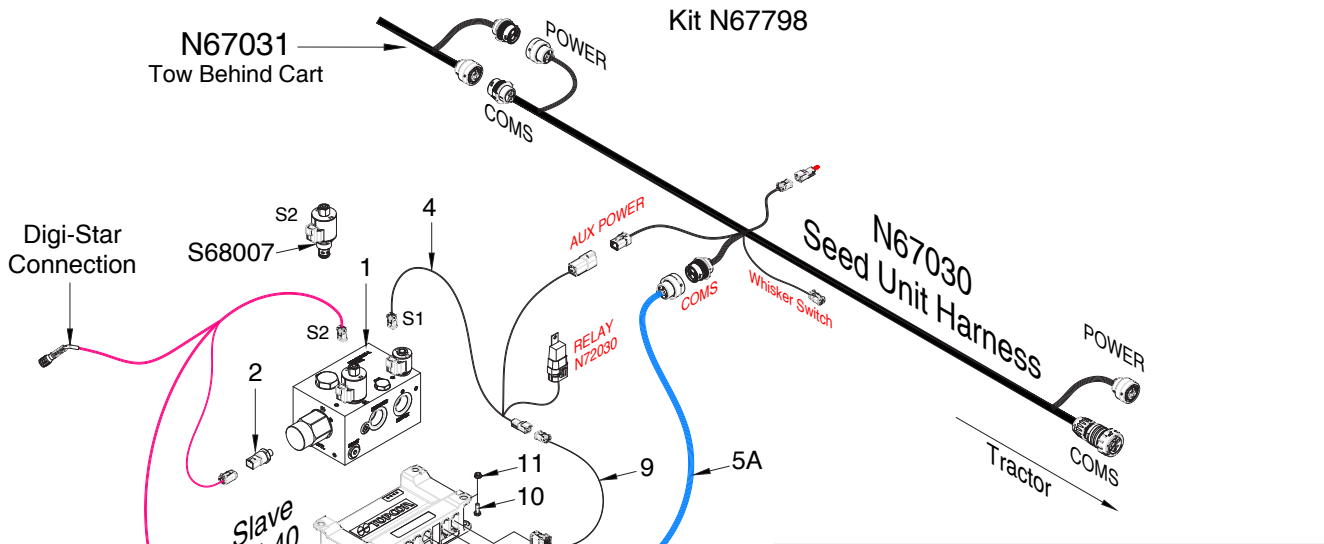
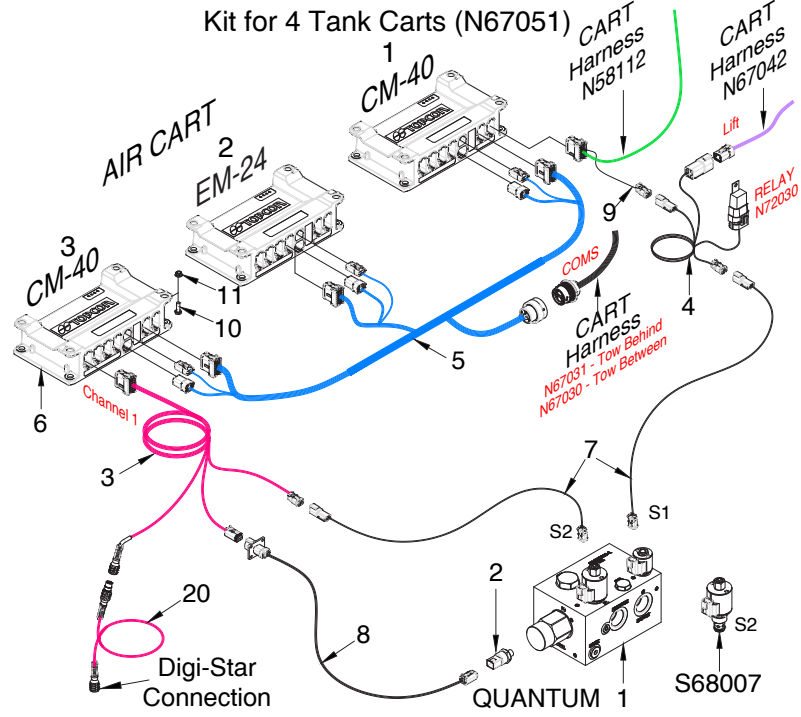
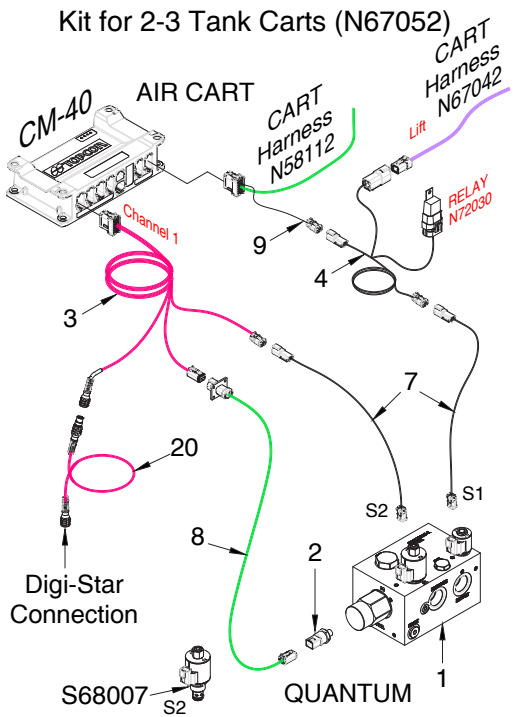


Pressure Control JEM - Pressure Control System

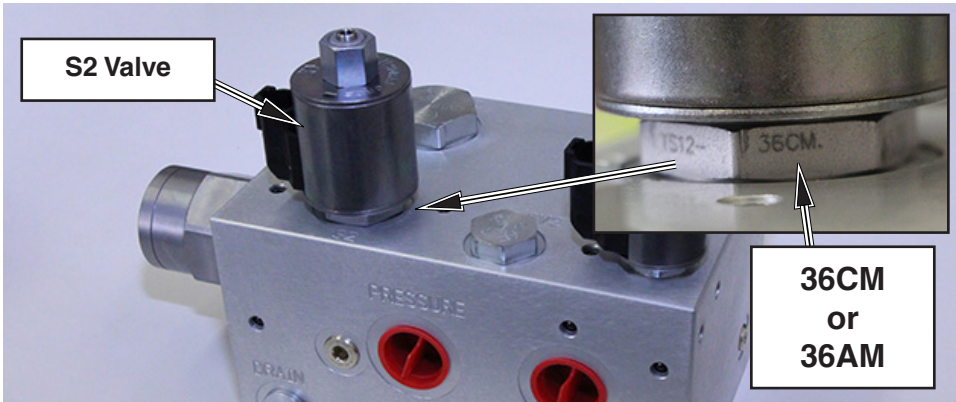


Item	Part No.	Description	Qty
1	N72180	CC Pilot Display Version 2 - 3 1/2 Full Color (New for July 2021) Shown.....	1
1A	N65145	CC Pilot Display - 3 1/2 Full Color (Prior to 2022).....	1
2	N45644	Ram Mount - 1 7/16 x 1 5/16	1
3	N65147	Ram Short Arm	1
4	N65148	Ram Ball - 1 Diameter	1
4A	N65146	Ram Claw Mount	
5	N72541	Harness - Tractor (1000545) (Replaces N65141)	1
6	N72542	Harness - Implement (1000546) (Replaces N65142)	1
7	N72543	Harness - Extension (Tow Between Carts) (1000626) (Replaces N65149)	1
8	N65143	ESX-10Xp ECU	1
9	K62977	Pressure Transducer.....	1
10	W-512	Hex Nut - 1/4.....	2
11	W-521	Lockwasher - 1/4	2
12	C-1471	Hex Bolt - 1/4 x 1 3/4 Lg	2
13	W-538	Flatwasher - 7/16 ID x 1 OD x 14 GA	4
14	W-523	Lockwasher - 3/8	4
15	W-475	Hex Bolt - 3/8 x 1 Lg	4
	N72181	CC Pilot Display Kit - (Includes Items 1 to 4) (New for July 2021)	
	N65140	CC Pilot Display Kit - (Includes Items 1A to 4) (Prior to 2022)	

Pressure Control 9 Series Apollo - Lift and Pressure Control Kit - Prior to 2022

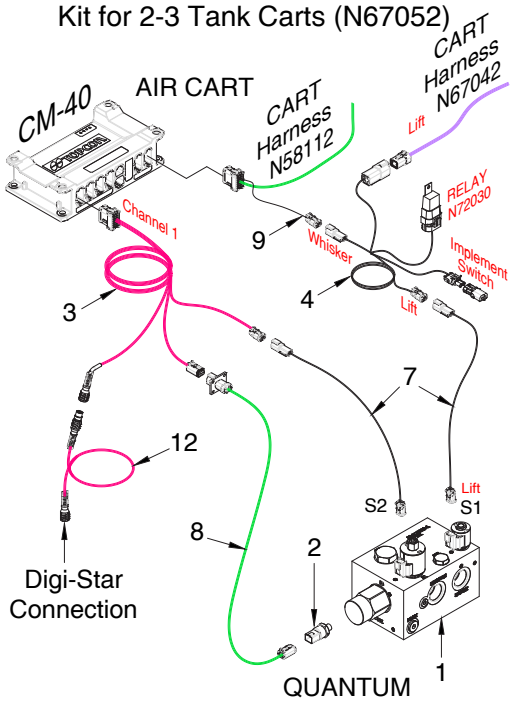


9 Series Apollo - Lift and Pressure Control Kit - Prior to 2022

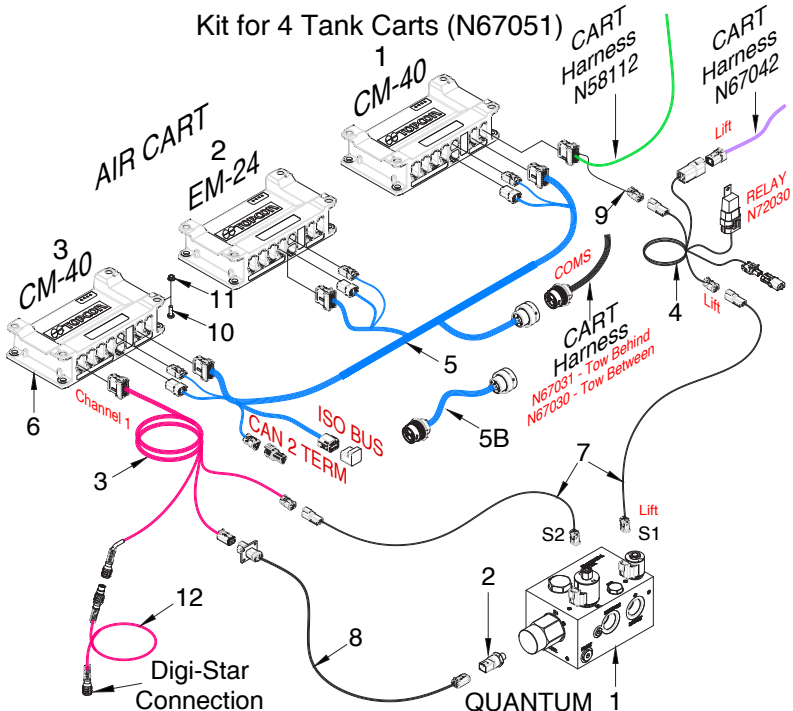
Item	Part No.	Description	Qty
1	S64940	Manifold - Opener Control (Requires S68007 see note below)	1
	S68006	Manifold - Opener Control - 2000 psi (Includes S68007)	
2	K62977	Pressure Transducer.....	1
3	N67045	Harness - Pack Control (1026291-01)	1
4	N67046	Harness - Lift Control (1006258-01) . . . (N72030 - Relay - 12 Volt 20/40A)	1
5	N67037	Harness - Triplex ECU Adapter (1005038-01)	1
5A	N67038	Harness - Single ECU (1005036-01)	1
5B	N68000	Harness Extension - 2m - (1028492-01) - Optional	
6	N68950	Apollo Master Module ECU - CM-40 Series 2 - (1024223-01).....	1
7	N59010	Harness Extension - Work Switch - 5m - (AGA4468).....	2
8	N64671	Pressure Transducer Extension Harness - 7m - (1024230-01).....	1
9	N68001	AUX Lift Lower Signal Adapter.....	1
10	W-187	Hex Bolt - 3/8 x 1 1/4 Lg - Bolts ECU to plate under manifold	4
11	D-5279	Locknut - 3/8 Serrated Flange	4
	N67052	Lift and Pressure Control Kit for 2-3 Tank Carts (Includes Items 3, 4, 7, 8, 9, 20)	
	N67051	Lift and Pressure Control Kit for 4 Tank Carts (Includes Items 3, 4, 5, 6, 7, 8, 9, 20)	
	N67798	Lift and Pressure Control Kit for 4 Tank Carts Tow Behind ONLY (Includes Items 3, 4, 5A, 6, 9, 10,11)	
Pack Pressure Control Arm - Optional			
12	S66267	Packer Arm Steel - Digi-Star	1
13	S67715	Axle Assembly - Digi-Star (Includes S66278 Spindle - Digi-Star) - Steel Arm ONLY	1
14	M-3388	Lock Nut - 3/8 Unitorque.....	1
15	W-479	Hex Bolt - 3/8 x 2 1/4 Lg	1
16	S67885	Zip Tie - Push Mount.....	3
17	S69154	Guard - Pack Master Cable	1
18	S47593	Carriage Bolt - 1/2 x 3 1/2 Lg.....	1
19	F-3405	Locknut - 1/2 Unitorque	1
20	N68002	Extension Cable - Optional.....	1
	S67716	Pack Pressure Control Arm Assembly (Includes Items 12 to 19)	
	S71738	Pack Control Stubble Guard Field Kit (Includes Items 17 to 19)	
Note: Refer to Technical Bulletin 499 - To operate the Pack Pressure Arm, Manifold S64940 requires the S2 valve must be replaced with S68007 Valve Cartridge - TS12-36CM - 2000 psi			
			

Pressure Control 9 Series Apollo - Lift and Pressure Control Kit - 2022 to Present

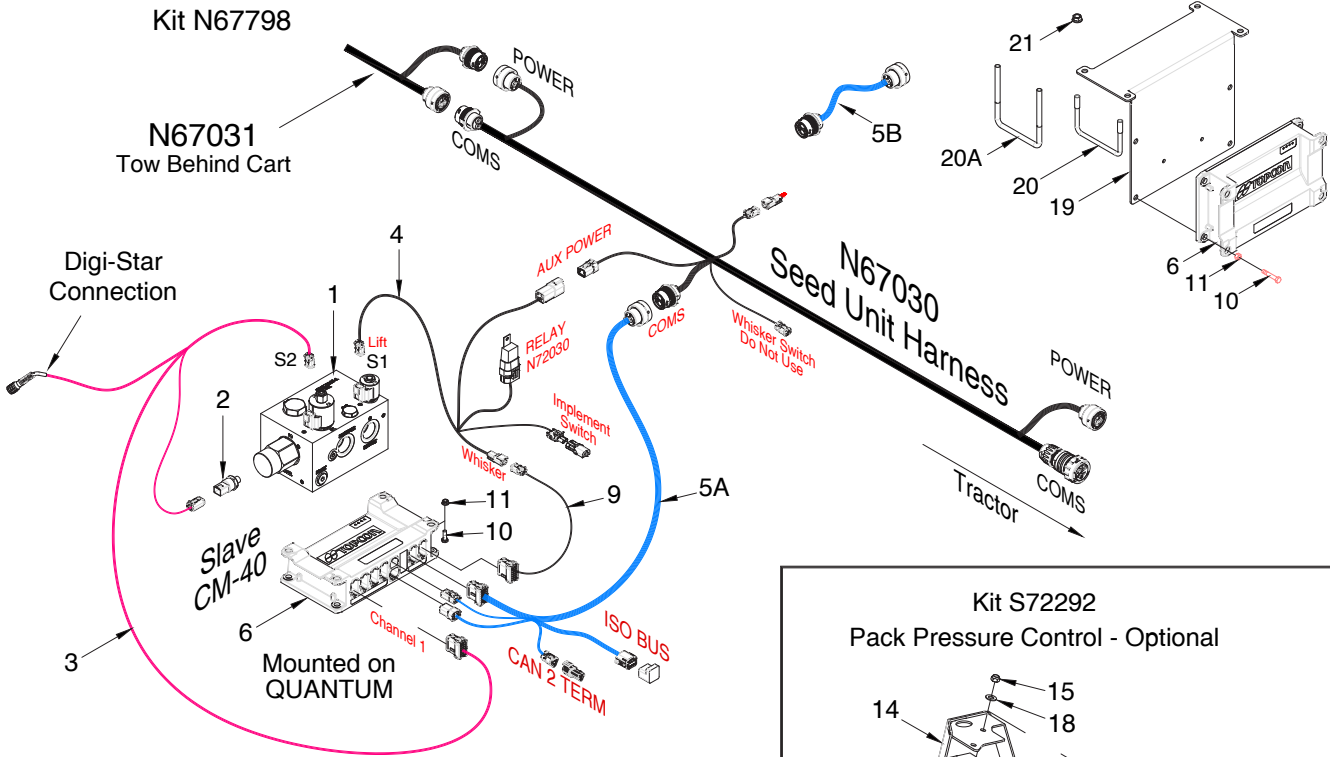
Kit for 2-3 Tank Carts (N67052)



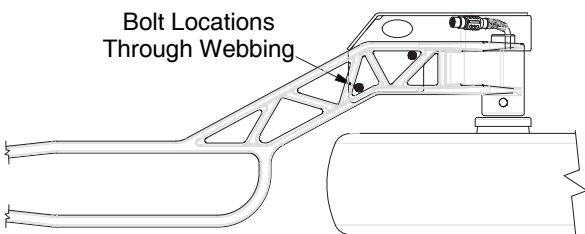
Kit for 4 Tank Carts (N67051)



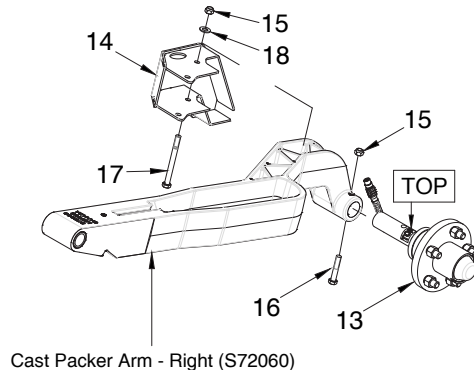
Kit N67798



Bolt Locations Through Webbing



Kit S72292
Pack Pressure Control - Optional

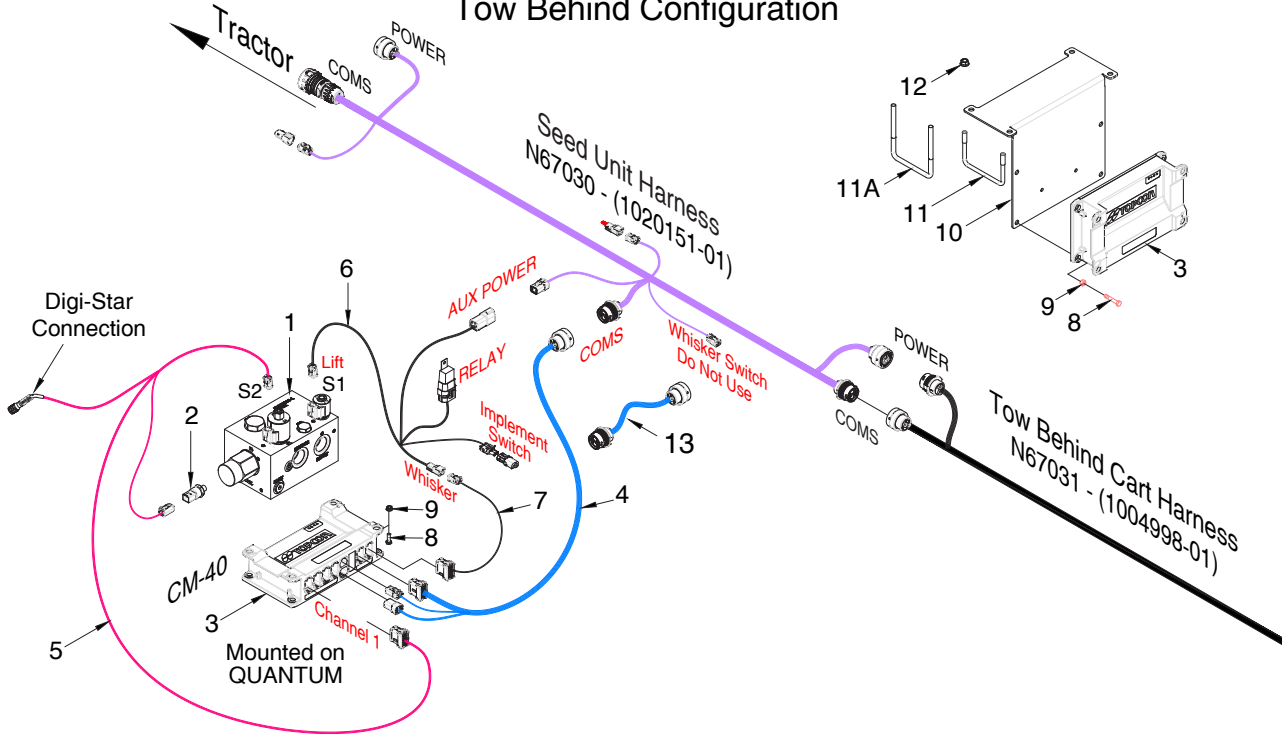


9 Series Apollo - Lift and Pressure Control Kit - 2022 to Present

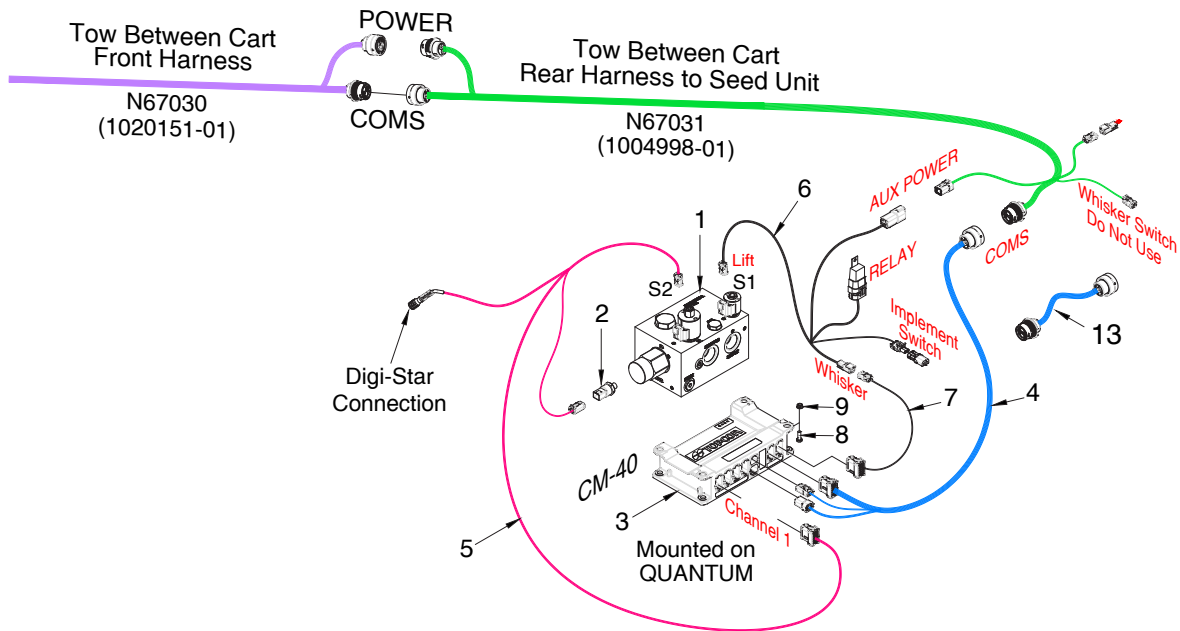
Item	Part No.	Description	Qty
1	S68006	Manifold - Opener Control - 2000 psi (Includes S68007)	
2	K62977	Pressure Transducer.....	1
3	N67045	Harness - Pack Control (1026291-01)	1
4	N67046	Harness - Lift Control (1006258-01) . . . (N72030 - Relay - 12 Volt 20/40A)	1
5	N67037	Harness - Triplex ECU Adapter (1005038-01)	1
5A	N67038	Harness - Single ECU (1005036-01)	1
5B	N68000	Harness Extension - 2m - (1028492-01) - Optional	
6	N68950	Apollo Master Module ECU - CM-40 Series 2 - (1024223-01).....	1
7	N59010	Harness Extension - Work Switch - 5m - (AGA4468).....	2
8	N64671	Pressure Transducer Extension Harness - 7m - (1024230-01).....	1
9	N68001	AUX Lift Lower Signal Adapter.....	1
10	W-187	Hex Bolt - 3/8 x 1 1/4 Lg - Bolts ECU to plate under manifold.....	4
11	D-5279	Locknut - 3/8 Serrated Flange	4
12	N68002	Extension Cable - Pack Control	1
	N67052	Lift and Pressure Control Kit for 2-3 Tank Carts (Includes Items 3, 4, 7, 8, 9, 12)	
	N67051	Lift and Pressure Control Kit for 4 Tank Carts (Includes Items 3, 4, 5, 6, 7, 8, 9, 12)	
	N67798	Lift and Pressure Control Kit for 4 Tank Carts Tow Behind ONLY (Includes Items 3, 4, 5A, 6, 9, 10,11)	
		Pack Pressure Control - Optional	
	S72292	Pack Force Spindle and Guard Kit. (Includes Items 13 to 18)	
13	S72190	Packer Hub Assembly (Includes S72200 Spindle - Digi-Star) - Cast Arm ONLY	1
14	S72094	Guard -Pack Control - Cast Arm - Right.....	1
15	M-3388	Lock Nut - 3/8 Unitorque.....	1
16	W-480	Hex Bolt - 3/8 x 2 1/2 Lg	1
17	C-1550	Hex Bolt - 3/8 x 4 Lg	4
18	D-5489	Washer - 13/32 ID x 13/16 OD x 16 GA	4
		ECU Relocation Mount Kit - Optional	
		Relocates CM-40 away from the valve block mounting it to front truss tube.	
19	S73263	Mount Plate	1
20	D-4932	U-Bolt - 3/8 x 4 1/8 x 3 UL	2
20A	N15098	U-Bolt - 3/8 x 4 x 5 UL	2
21	S27987	Lock Nut - 3/8 Flanged	4
5B	N68000	Harness Extension - 2m - (1028492-01).....	1
	S73264	Relocation Mount Kit - 40 ft to 70 ft (Includes Items 5B, 19, 20 and 21)	
	S73265	Relocation Mount Kit - 80 ft (Includes Items 5B, 19, 20A and 21)	

Pressure Control 10 Series Apollo - Lift and Pressure Control Kit

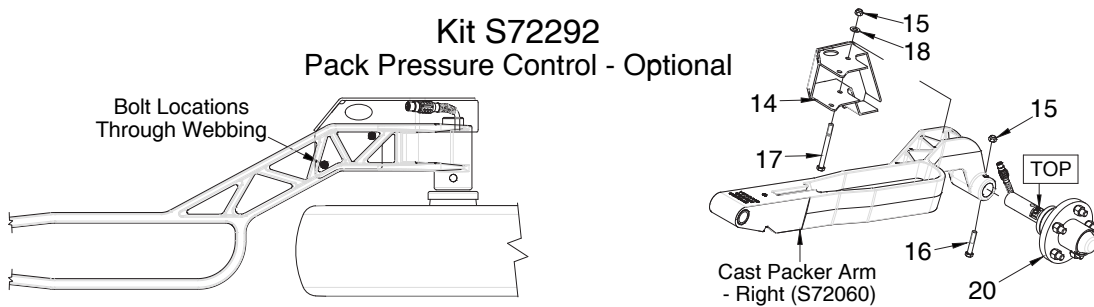
Tow Behind Configuration



Tow Between Configuration



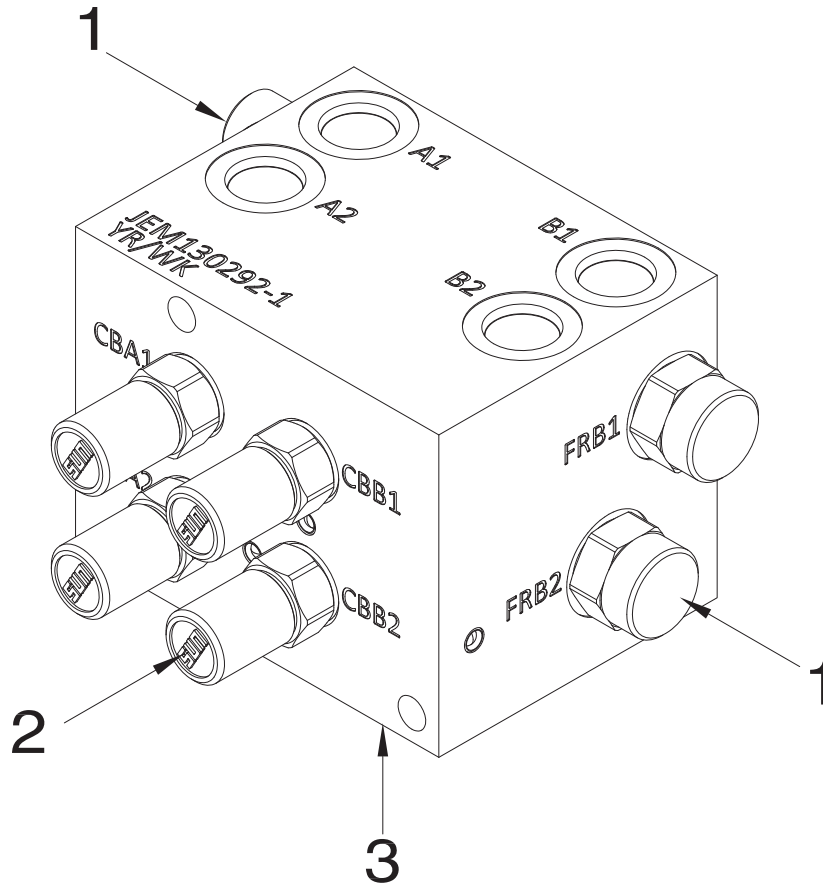
Kit S72292 Pack Pressure Control - Optional



10 Series Apollo - Lift and Pressure Control Kit

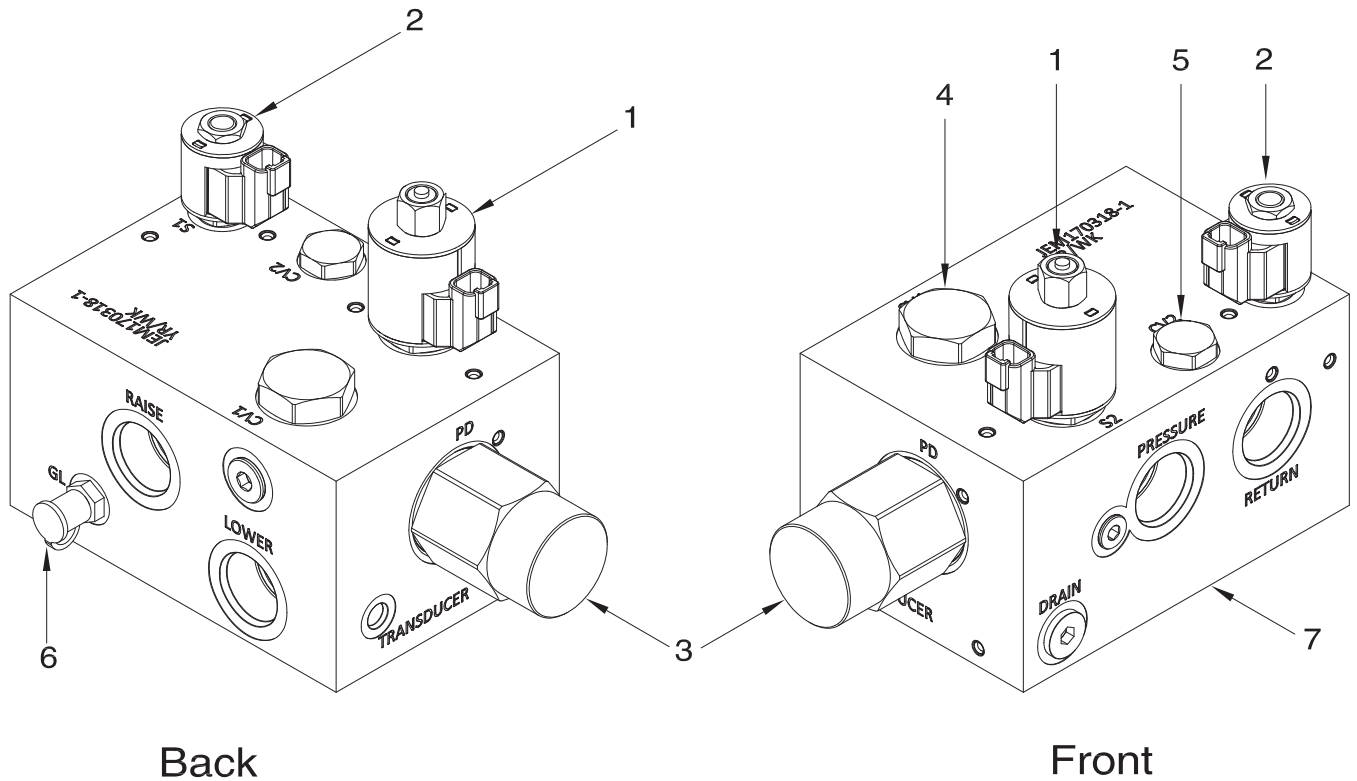
Item	Part No.	Description	Qty
1	S68006	Manifold - Opener Control - 2000 psi (Includes S68007)	1
2	K62977	Pressure Transducer.....	1
3	N74222	Apollo Master Module ECU - CM-40 - E-Drive Version (1069705-01)	1
4	N67038	Harness - Single ECU (1005036-01)	1
5	N67045	Harness - Pack Control (1026291-01)	1
6	N67046	Harness - Lift Control (1006258-01). . . (N72030 - Relay - 12 Volt 20/40A)	1
7	N68001	AUX Lift Lower Signal Adapter.....	1
8	W-187	Hex Bolt - 3/8 x 1 1/4 Lg - Bolts ECU to plate under manifold	4
9	D-5279	Locknut - 3/8 Serrated Flange	4
	N74261	Lift and Pressure Control Kit (Includes Items 3, 4, 5, 6, 7, 8 and 9)	
		ECU Relocation Mount Kit - Optional Relocates CM-40 to front truss tube.	
10	S73263	Mount Plate	1
11	D-4932	U-Bolt - 3/8 x 4 1/8 x 3 UL	2
11A	N15098	U-Bolt - 3/8 x 4 x 5 UL	2
12	S27987	Lock Nut - 3/8 Flanged	4
13	N68000	Harness Extension - 2m - (1028492-01)	1
	S73264	Relocation Mount Kit - 40 ft to 70 ft (Includes Items 10, 11, 12 and 13)	
	S73265	Relocation Mount Kit - 80 ft (Includes Items 10, 11A, 12 and 13)	
		Pack Pressure Control - Option	
	S72292	Pack Force Spindle and Guard Kit. (Includes ALL Items below) - 2022 to Present	
14	S72094	Guard -Pack Control - Cast Arm - Right.....	1
15	M-3388	Lock Nut - 3/8 Unitorque.....	3
16	W-480	Hex Bolt - 3/8 x 2 1/2 Lg	1
17	C-1550	Hex Bolt - 3/8 x 4 Lg	2
18	D-5489	Washer - 13/32 ID x 13/16 OD x 16 GA	2
19	D-4838	Nylon Tie Strap - 3/16 x 7 1/2 Lg.....	2
20	S72190	Packer Hub Assembly (Includes S72200 Spindle - Digi-Star)	1

Hydraulic Cylinders Wing Lift Valve Block



Item	Part No.	Description	Qty
1	C53847	Pressure Compensated Flow Control Cartridge - 5 gpm	4
2	C53848	Counterbalance Cartridge - 2700 psi	4
3	C53849	Counterbalance Winglift Manifold (Includes All Above Items)	

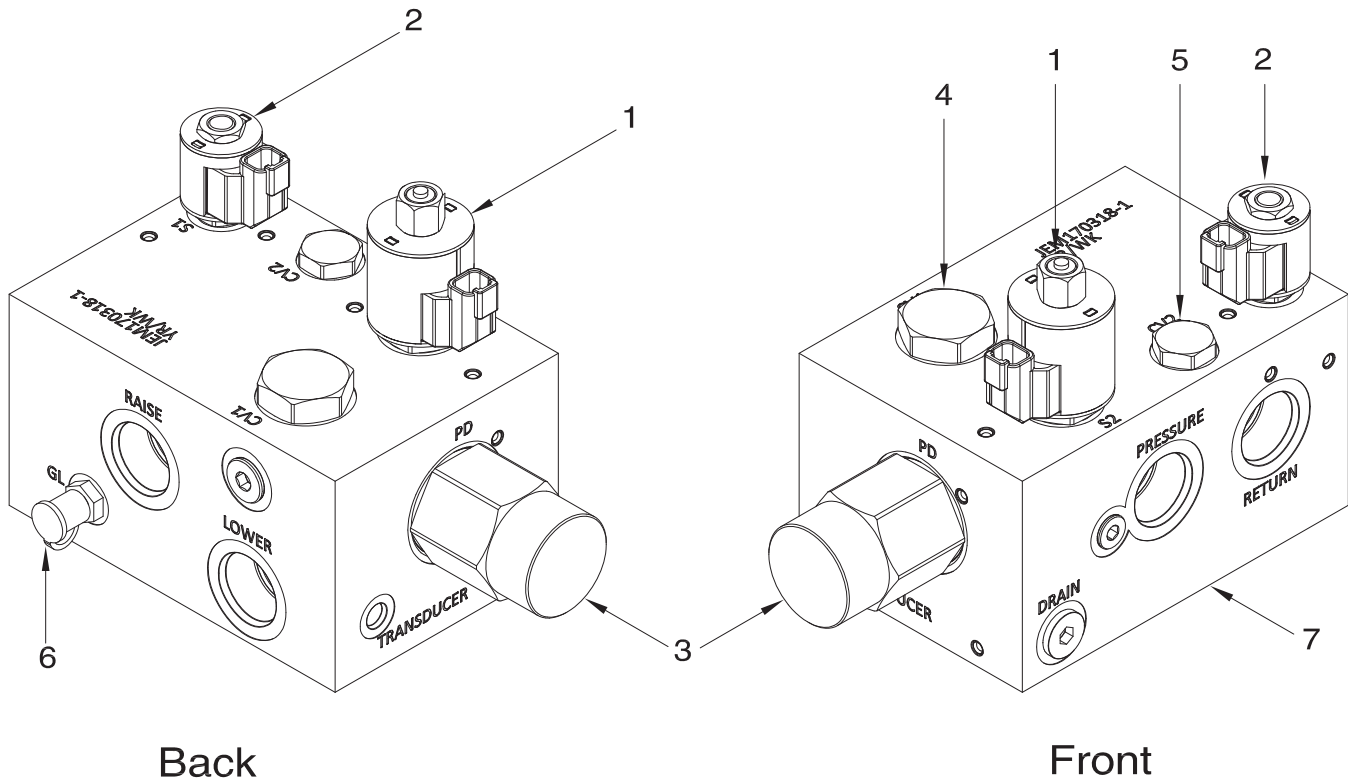
Opener Valve Block 2018-2019



Note: To operate the Pack Pressure Arm, the S2 valve must be replaced with S68007 Valve Cartridge - TS12-36CM - 2000 psi

Item	Part No.	Description	Qty
1	S67316	Pressure Reducing/Relieving Proportional Valve - 3000 psi.....	1
2	S67317	Solenoid Valve (Includes Coil S69044)	1
3	S67318	Pilot 4-Way. Valve.....	1
4	S67319	Check Valve - 5 psi	1
5	S67320	Check Valve - 2 psi	1
6	N64583	Coupler - Test Port - 7/16-20 (#4) MORB	1
7	S64940	Manifold - Opener Control - 3000 psi (Includes above Items)	1

Opener Valve Block 2020 to present



Item	Part No.	Description	Qty
1	S68008	Valve with Solenoid - Pressure Reducing/Relieving Proportional Valve - 2000 psi.....	1
	S68007	Valve ONLY - Pressure Reducing/Relieving Proportional Valve - TS12-36CM - 2000 psi	
2	S67317	Solenoid Valve	1
3	S67318	Pilot 4-Way. Valve.....	1
4	S67319	Check Valve - 5 psi	1
5	S67320	Check Valve - 2 psi	1
6	N64583	Coupler - Test Port - 7/16-20 (#4) MORB	1
7	S68006	Manifold - Opener Control - 2000 psi(Includes above Items)	1

Section 5: Distribution

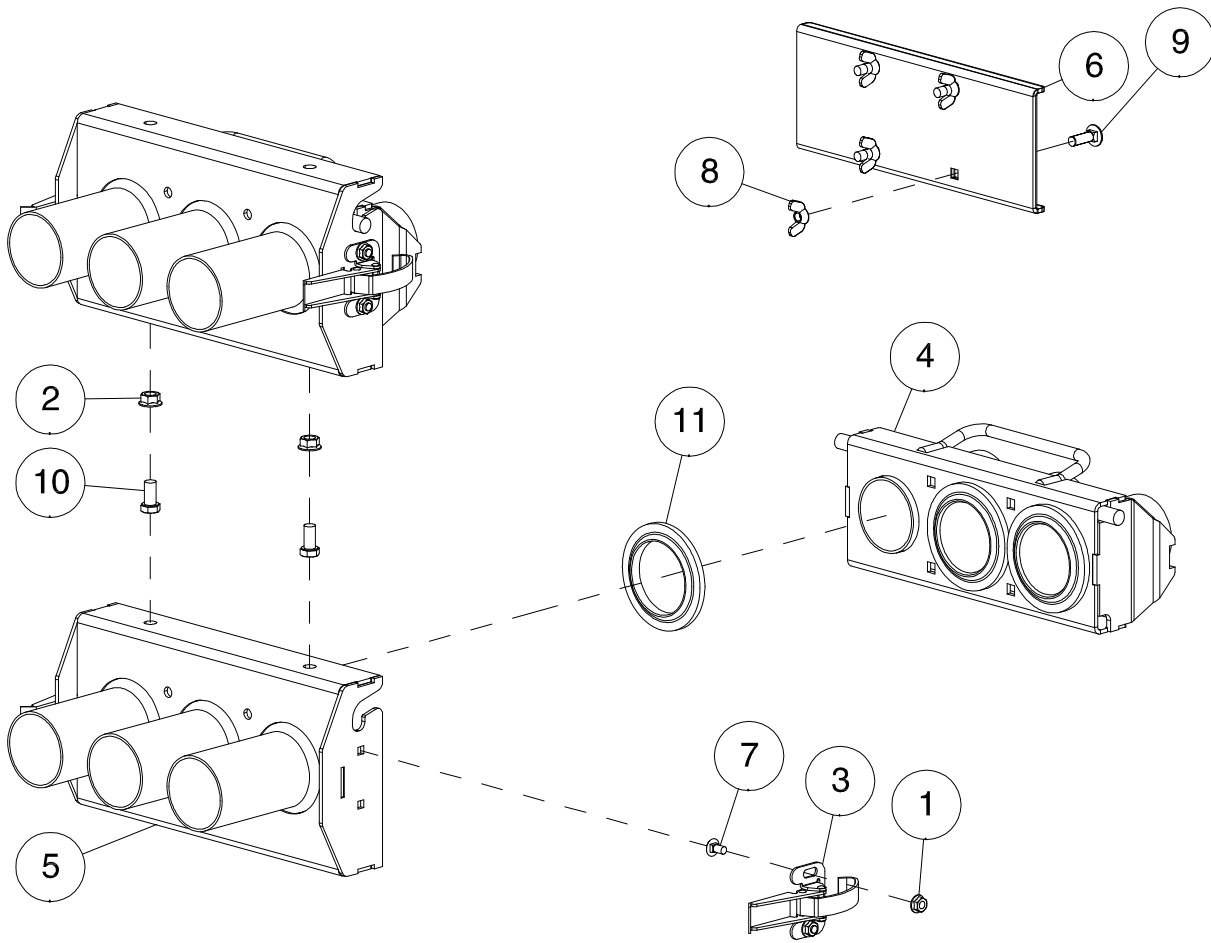
Section Contents

Quick Coupler - 2 1/2 Inch.....	5-4
3 Outlet	5-4
5 Outlet	5-5
Quick Coupler - 3 Inch.....	5-6
2x2 Outlet.....	5-6
2x3 Outlet.....	5-7
Divider Head Assembly	5-8
Regular 1 inch Square Fingers.....	5-8
Mounting Stands	5-10
Offset Dual Shoot Stands - 2023 to Present	5-12
Single Shoot - Tow Behind	5-14
40 ft - 12m - 5 primaries - 12 and 15 inch (300 - 380mm) Spacing	5-14
40 ft - 12m - 6 primaries - 10 inch (250mm) Spacing	5-16
50 ft - 15m - 6 primaries - 15 inch (380mm) Spacing	5-18
50 ft - 15m - 7 primaries - 10 and 12 inch (250 - 300mm) Spacing	5-20
60 ft - 18m - 8 primaries - 10, 12 and 15 inch (250 - 300 - 380mm) Spacing	5-22
70 ft - 21m - 8 primaries - 10, 12 and 15 inch (250 - 300 - 380mm) Spacing	5-24
70 ft - 21m - 9 primaries - 10, 12 and 15 inch (250 - 300 - 380mm) Spacing	5-26
80 ft - 24m - 10 primaries - 10 and 12 inch (250 - 300) Spacing	5-28
Single Shoot - Tow Between	5-30
40 ft - 12m - 5 primaries - 12 and 15 inch (300 - 380mm) Spacing	5-30
40 ft - 12m - 6 primaries - 10 inch (250mm) Spacing	5-32
50 ft - 15m - 6 primaries - 15 inch (380mm) Spacing	5-34
50 ft - 15m - 7 primaries - 10 and 12 inch (250 - 300mm) Spacing	5-36
60 ft - 18m - 8 primaries - 10, 12 and 15 inch (250 - 300 - 380mm) Spacing	5-38
70 ft - 21m - 8 primaries - 10, 12 and 15 inch (250 - 300 - 380mm) Spacing	5-40
70 ft - 21m - 9 primaries - 10, 12 and 15 inch (250 - 300 - 380mm) Spacing	5-42
80 ft - 24m - 10 primaries - 10 and 12 inch (250 - 300) Spacing	5-44
Dual Shoot - Stacked Heads - Tow Behind - Prior to 2023.....	5-46
40 ft - 12m - 5 primaries - 12 and 15 inch (300 - 380mm) Spacing	5-46
40 ft - 12m - 6 primaries - 10 inch (250mm) Spacing	5-48
50 ft - 15m - 6 primaries - 15 inch (380mm) Spacing	5-50
50 ft - 15m - 7 primaries - 10 and 12 inch (250 - 300mm) Spacing	5-52
60 ft - 18m - 8 primaries - 10, 12 and 15 inch (250 - 300 - 380mm) Spacing	5-54
70 ft - 21m - 9 primaries - 10, 12 and 15 inch (250 - 300 - 380mm) Spacing	5-56
Dual Shoot - Stacked Heads - Tow Between - Prior to 2023.....	5-58

Table of Contents

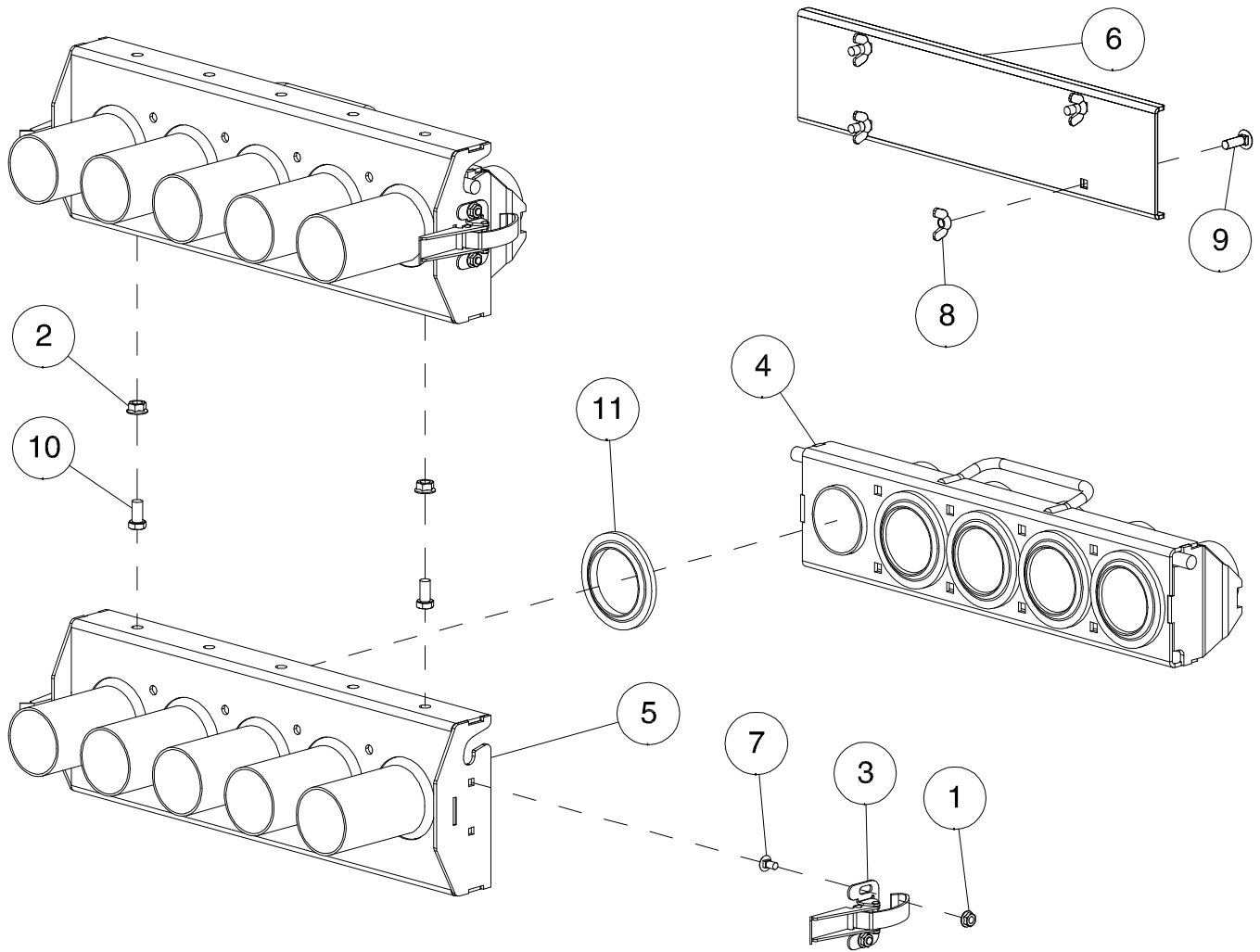
40 ft - 12m - 5 primaries - 12 and 15 inch (300 - 380mm) Spacing	5-58
40 ft - 12m - 6 primaries - 10 inch (250mm) Spacing	5-60
50 ft - 15m - 6 primaries - 15 inch (380mm) Spacing	5-62
50 ft - 15m - 7 primaries - 10 and 12 inch (250 - 300mm) Spacing	5-64
60 ft - 18m - 8 primaries - 10, 12 and 15 inch (250 - 300 - 380mm) Spacing	5-66
70 ft - 21m - 9 primaries - 10, 12 and 15 inch (250 - 300 - 380mm) Spacing	5-68
Dual Shoot - Offset Heads - Tow Behind - 2023 to Present	5-70
40 ft - 12m - 5 primaries - 12 and 15 inch (300 - 380mm) Spacing	5-70
40 ft - 12m - 6 primaries - 10 inch (250mm) Spacing	5-72
50 ft - 15m - 6 primaries - 15 inch (380mm) Spacing	5-74
50 ft - 15m - 7 primaries - 10 and 12 inch (250 - 300mm) Spacing	5-76
60 ft - 18m - 8 primaries - 10, 12 and 15 inch (250 - 300 - 380mm) Spacing	5-78
70 ft - 21m - 8 primaries - 10, 12 and 15 inch (250 - 300 - 380mm) Spacing	5-80
70 ft - 21m - 9 primaries - 10, 12 and 15 inch (250 - 300 - 380mm) Spacing	5-82
80 ft - 24m - 10 primaries - 10 and 12 inch (250 - 300) Spacing	5-84
80 ft - 24m - 10 primaries - 10 and 12 inch (250 - 300) Spacing	5-86
80 ft - 24m - 10 primaries - 10 and 12 inch (250 - 300) Spacing	5-88
Dual Shoot - Offset Heads - Tow Between - 2023 to Present.....	5-90
40 ft - 12m - 5 primaries - 12 and 15 inch (300 - 380mm) Spacing	5-90
40 ft - 12m - 6 primaries - 10 inch (250mm) Spacing	5-92
50 ft - 15m - 6 primaries - 15 inch (380mm) Spacing	5-94
50 ft - 15m - 7 primaries - 10 and 12 inch (250 - 300mm) Spacing	5-96
60 ft - 18m - 8 primaries - 10, 12 and 15 inch (250 - 300 - 380mm) Spacing	5-98
70 ft - 21m - 8 primaries - 10, 12 and 15 inch (250 - 300 - 380mm) Spacing	5-100
70 ft - 21m - 9 primaries - 10, 12 and 15 inch (250 - 300 - 380mm) Spacing	5-102
80 ft - 24m - 10 primaries - 10 and 12 inch (250 - 300) Spacing	5-104
80 ft - 24m - 10 primaries - 10 and 12 inch (250 - 300) Spacing	5-106
80 ft - 24m - 10 primaries - 10 and 12 inch (250 - 300) Spacing	5-108
Broadcast Kit	5-110
10 and 12 inch (250 - 300mm) Spacing	5-110

Quick Coupler - 2 1/2 Inch 3 Outlet



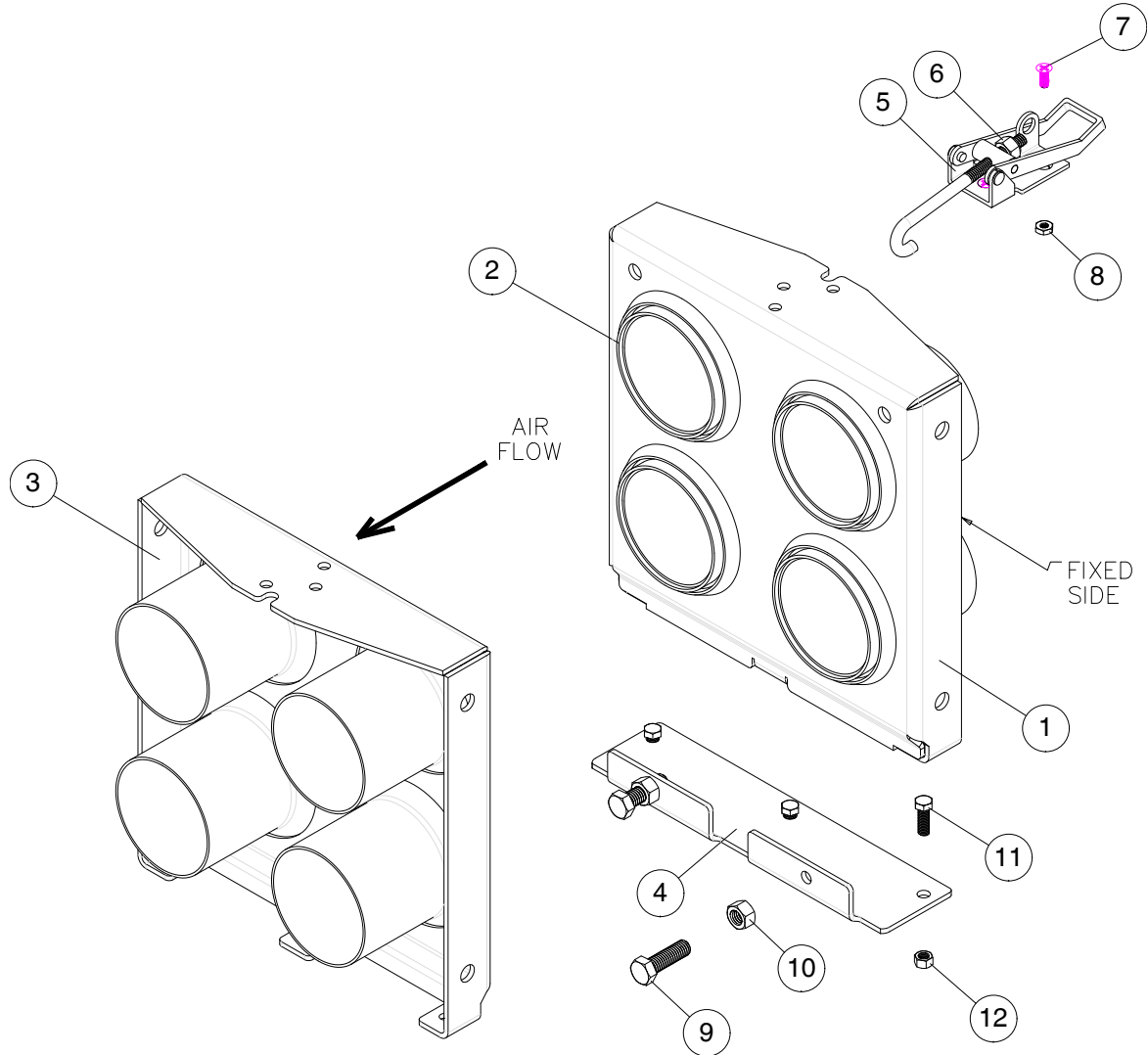
Item	Part No.	Description	Qty
1	D-5277	Flange Lock Nut - 1/4 Serrated	8
2	D-5279	Flange Lock Nut - 3/8 Serrated	2
3	N42213	Latch	4
4	N51983	Quick Coupler - 3 Run - Cart - Contains Item 11	2
5	N53200	Quick Coupler - 3 Run - Drill	2
6	N53207	Cover Plate - 3 Run.....	2
7	N53215	Carriage Bolt - 1/4 x 1/2 Lg	8
8	N31016	Wing Nut - 5/16	8
9	S33420	Carriage Bolt - 5/16 x 1 Lg	8
10	W-867	Hex Bolt - 3/8 x 3/4 Lg.....	2
11	N40735	Washer Seal.....	6
	N16170	Clear Silicon 305ml - used to assemble 11 to 4	AsReq

Quick Coupler - 2 1/2 Inch 5 Outlet



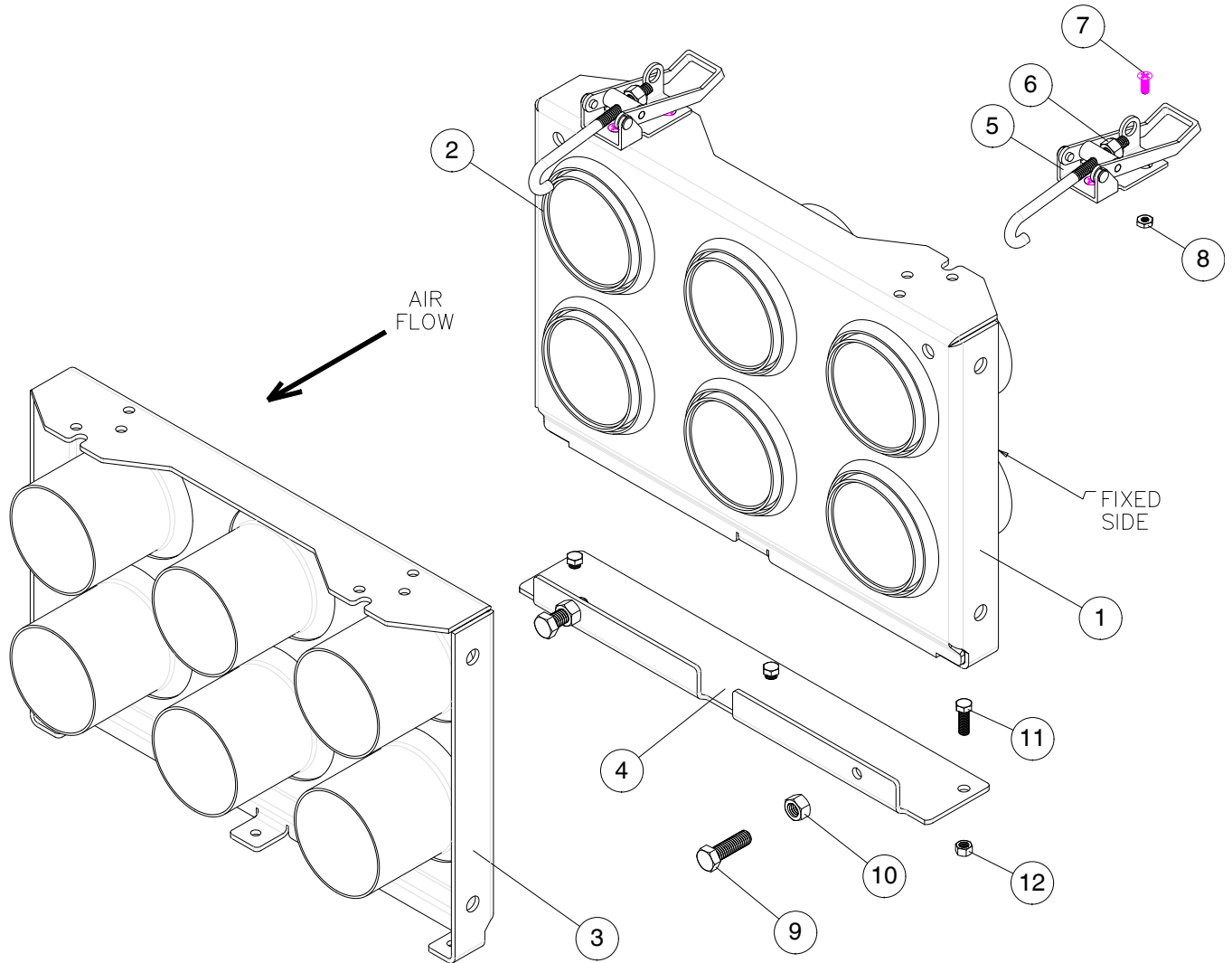
Item	Part No.	Description	Qty
1	D-5277	Flange Lock Nut - 1/4 Serrated	8
2	D-5279	Flange Lock Nut - 3/8 Serrated	2
3	N42213	Latch	4
4	N51955	Quick Coupler - 5 Run - Cart - Contains Item 11	2
5	N51960	Quick Coupler - 5 Run - Drill	2
6	N53209	Cover Plate - 5 Run.....	2
7	N53215	Carriage Bolt - 1/4 x 1/2 Lg	8
8	N31016	Wing Nut - 5/16	8
9	S33420	Carriage Bolt - 5/16 x 1 Lg	8
10	W-867	Hex Bolt - 3/8 x 3/4 Lg.....	2
11	N40735	Washer Seal.....	6
	N16170	Clear Silicon 305ml - used to assemble 11 to 4	AsReq

Quick Coupler - 3 Inch 2x2 Outlet



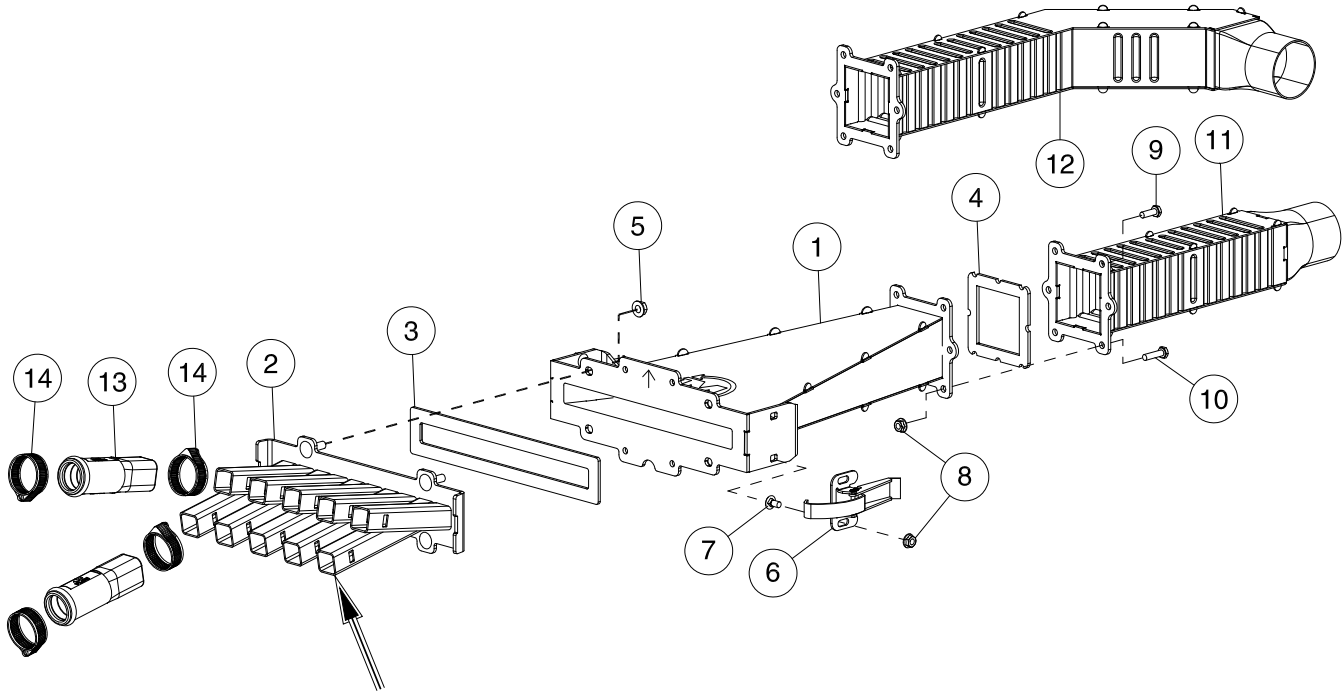
Item	Part No.	Description	Qty
1	N75920	Quick Coupler - 3" - 2 x 2 Run - Seal Side	1
2	N75940	Coupler Seal - 3"	4
3	N75925	Quick Coupler - 3" - 2 x 2 Run - Flange Side	1
4	N75932	Catch Plate - 2 x 2 Run	1
5	N75939	Quik Coupler Latch	1
6	N42098	Nylon Locknut - SS	1
7	N76501	Screw - #10-24 x 1/2 - SS	3
8	N76502	Jam Nut- #10-24 - SS	3
9	N76500	Hex-Bolt - 3/8 x 1 1/4 - SS.....	2
10	N34836	Hex-Nut - 3/8 - SS.....	2
11	N36597	Hex-Bolt - 1/4 x 3/4 - SS.....	3
12	N76255	Hex-Nut - 1/4 - SS.....	3
	N76122	Quick Coupler 3" - 2 x 2 Run (Includes Items above)	
	N75921	Cover Plate	

Quick Coupler - 3 Inch 2x3 Outlet



Item	Part No.	Description	Qty
1	N75930	Quick Coupler - 3" - 2x3 Run - Seal Side	1
2	N75940	Coupler Seal - 3"	6
3	N75935	Quick Coupler - 3" - 2x3 Run - Flare Side	1
4	N75933	Catch Plate - 2x3 Run	1
5	N75939	Quik Coupler Latch	2
6	N42098	Nylon Locknut - SS	2
7	N76501	Screw - #10-24 x 1/2 - SS	6
8	N76502	Jam Nut- #10-24 - SS	6
9	N76500	Hex-Bolt - 3/8 x 1 1/4 - SS.....	2
10	N34836	Hex-Nut - 3/8 - SS.....	2
11	N36597	Hex-Bolt - 1/4 x 3/4 - SS.....	3
12	N76255	Hex-Nut - 1/4 - SS.....	3
	N76123	Quick Coupler 3" - 2 x 3 Run (Includes Items above)	
	N75931	Cover Plate	

Divider Head Assembly Regular 1 inch Square Fingers



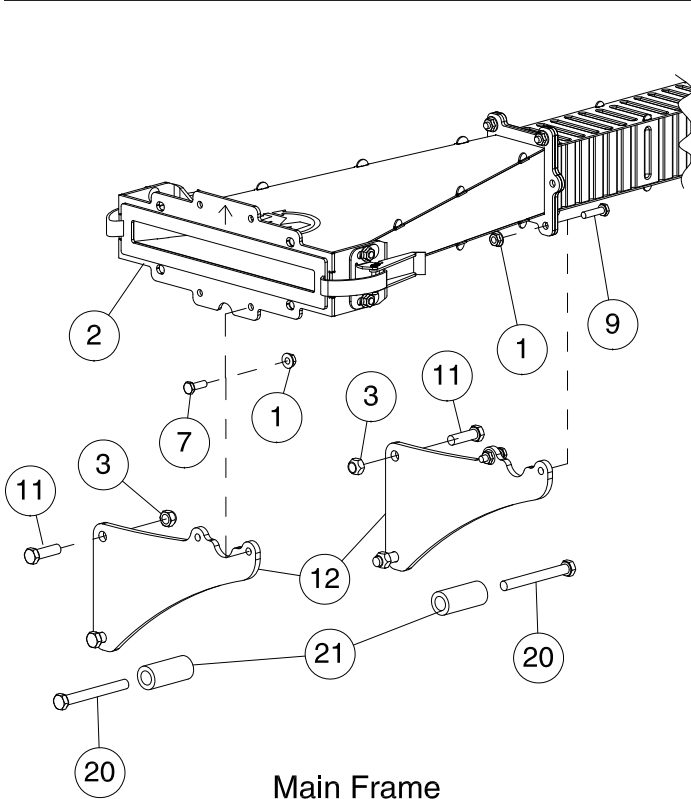
Note: Assemble with long fingers to bottom.

Item	Part No.	Description	Qty
SIX OUTLET DIVIDER HEAD			
1	N72163	6 Outlet Divider Head - Main Body (N66556)	1
2	N66516	6 Outlet Flange - 1 inch Square Fingers	1
3	N66176	Seal - 6 Outlet	1
4	N66175	Diffuser Seal	1
5	D-5278	Flange Lock Nut - 5/16.....	4
6	N42213	Over-Center Catch	2
7	N53215	Carriage Bolt - 1/4 x 1/2 Lg	4
8	D-5277	Flange Lock Nut - 1/4 Serrated	4
	N66506	6 Outlet Divider Head Assembly (Includes All Above Items)	
13	N65131	Adapter Secondary Hose - Fits Hose .929 ID x 1.169 OD - Prior to 2023	6
	N72996	Adapter Secondary Hose - Fits Hose 1 ID x1.25 OD - 2023 to Present	
14	N11470	Hose Clamp	12
SEVEN OUTLET DIVIDER HEAD			
1	N72166	7 Outlet Divider Head - Main Body (N66557)	1
2	N66517	7 Outlet Flange	1
3	N66177	Seal - 7 Outlet	1
4	N66175	Diffuser Seal	1
5	D-5278	Flange Lock Nut - 5/16.....	4
3	N42213	Over-Center Catch	2
4	N53215	Carriage Bolt - 1/4 x 1/2 Lg	4
6	D-5277	Flange Lock Nut - 1/4 Serrated	4
	N66507	Divider Head Assembly - 7 Outlet (Includes All Above Items)	
13	N65131	Adapter Secondary Hose - Fits Hose .929 ID x 1.169 OD - Prior to 2023	7
	N72996	Adapter Secondary Hose - Fits Hose 1 ID x1.25 OD - 2023 to Present	
14	N11470	Hose Clamp	14

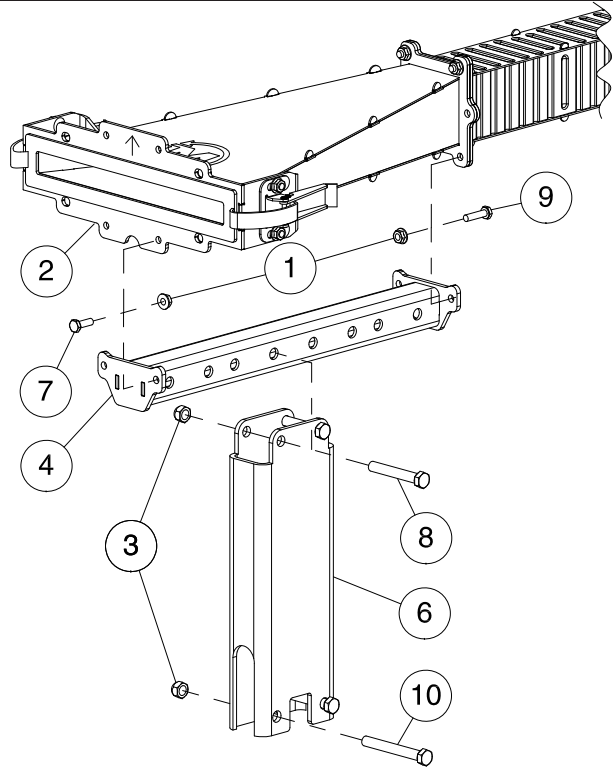
Distribution - Quantum - Regular

Item	Part No.	Description	Qty
EIGHT OUTLET DIVIDER HEAD			
1	N72160	8 Outlet Divider Head - Main Body (N66558)	1
2	N66518	8 Outlet Flange - 1 inch Square Fingers	1
3	N66178	Seal - 8 Outlet	1
4	N66175	Diffuser Seal	1
5	D-5278	Flange Lock Nut - 5/16.....	4
6	N42213	Over-Center Catch	2
7	N53215	Carriage Bolt - 1/4 x 1/2 Lg	4
8	D-5277	Flange Lock Nut - 1/4 Serrated	4
	N66508	Divider Head Assembly - 8 Outlet (Includes All Above Items)	
13	N65131	Adapter Secondary Hose - Fits Hose .929 ID x 1.169 OD - Prior to 2023	8
	N72996	Adapter Secondary Hose - Fits Hose 1 ID x1.25 OD - 2023 to Present	
14	N11470	Hose Clamp	16
NINE OUTLET DIVIDER HEAD			
1	N72169	9 Outlet Divider Head - Main Body (N66559)	1
2	N66519	9 Outlet Flange - 1 inch Square Fingers	1
3	N66179	Seal - 9 Outlet	1
4	N66175	Diffuser Seal	1
5	D-5278	Flange Lock Nut - 5/16.....	4
6	N42213	Over-Center Catch	2
7	N53215	Carriage Bolt - 1/4 x 1/2 Lg	4
8	D-5277	Flange Lock Nut - 1/4 Serrated	4
	N66509	Divider Head Assembly - 9 Outlet (Includes All Above Items)	
13	N65131	Adapter Secondary Hose - Fits Hose .929 ID x 1.169 OD - Prior to 2023	9
	N72996	Adapter Secondary Hose - Fits Hose 1 ID x1.25 OD - 2023 to Present	
14	N11470	Hose Clamp	18
TEN OUTLET DIVIDER HEAD			
1	N72172	10 Outlet Divider Head - Main Body (N66560).....	1
2	N66520	10 Outlet Flange - 1 inch Square Fingers	1
3	N66180	Seal - 10 Outlet (Not Shown)	1
4	N66175	Diffuser Seal	1
5	D-5278	Flange Lock Nut - 5/16.....	4
6	N42213	Over-Center Catch	2
7	N53215	Carriage Bolt - 1/4 x 1/2 Lg	4
8	D-5277	Flange Lock Nut - 1/4 Serrated	4
	N66510	Divider Head Assembly - 10 Outlet (Includes All Above Items)	
13	N65131	Adapter Secondary Hose - Fits Hose .929 ID x 1.169 OD - Prior to 2023	10
	N72996	Adapter Secondary Hose - Fits Hose 1 ID x1.25 OD - 2023 to Present	
14	N11470	Hose Clamp - HC5-20 - 20mm Diameter.....	20
DIFFUSER PIPE			
8	D-5277	Flange Lock Nut - 1/4 Serrated	4
9	W-469	Hex Head - 1/4 x 3/4 Lg	2
10	W-1552	Hex Bolt - 1/4 x 1 Lg.....	2
11	N66662	Diffuser - Straight - 2 1/12 outlet (Prior to April 2021)	
	N66663	Diffuser - Straight - 3 outlet (April 2021)	1
12	N66672	Diffuser - 90 Deg Elbow - 2 1/12 outlet (Prior to April 2021)	
	N66673	Diffuser - 90 Deg Elbow - 3 outlet (April 2021).....	1
15	R480034	Secondary Hose - .929 ID x 1.169 OD/ft (75 ft roll) Not Shown	
	N75770	Hose - 1 ID x 1.250 OD (100 ft roll) - RED (Fertilizer) - 2026 to Present Not Shown	
	N75771	Hose - 1 ID x 1.250 OD (100 ft roll) - BLACK (Seed) - 2026 to Present Not Shown	

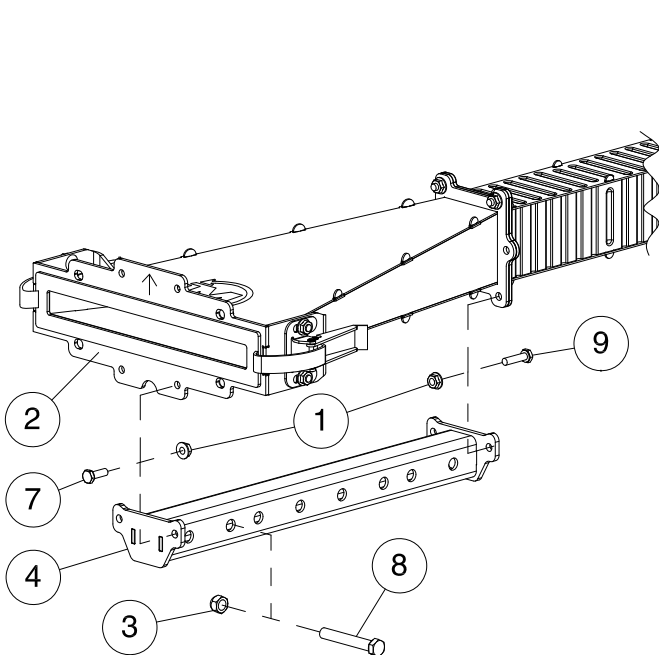
Divider Head Assembly Mounting Stands



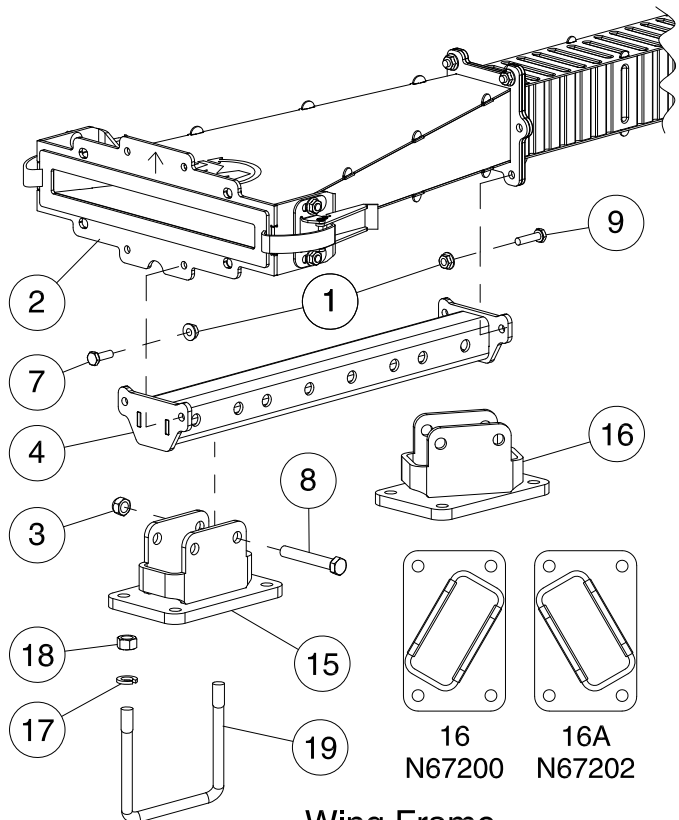
Main Frame
MOUNTING OPTION 1



Main Frame
MOUNTING OPTION 2

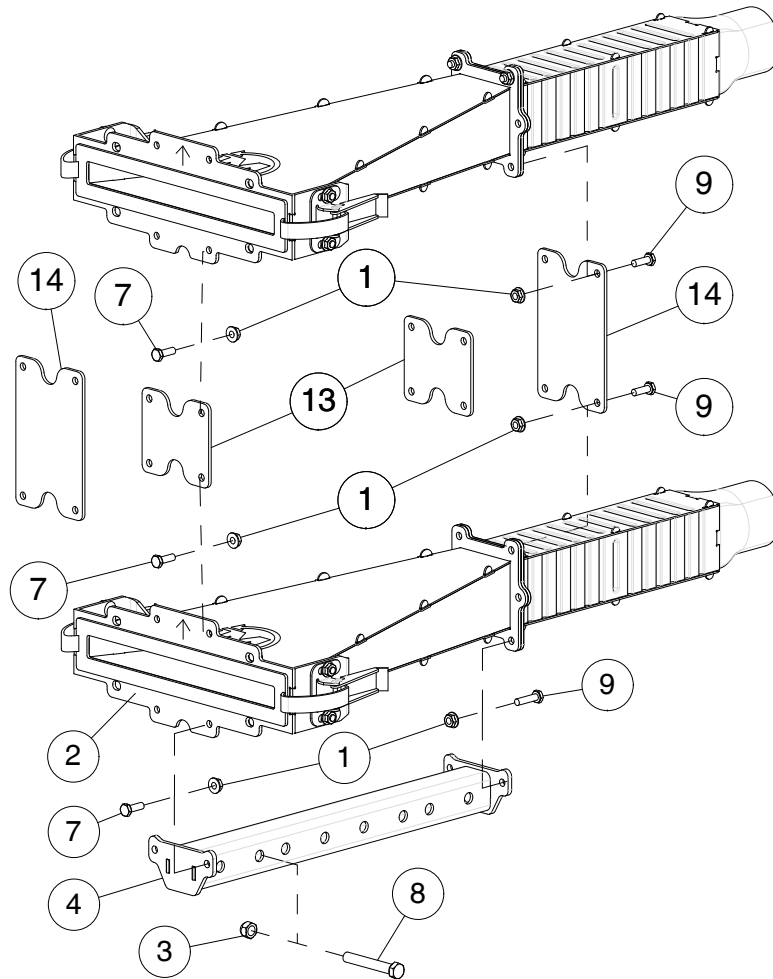


Wing Frame
MOUNTING OPTION 3



Wing Frame
MOUNTING OPTION 4

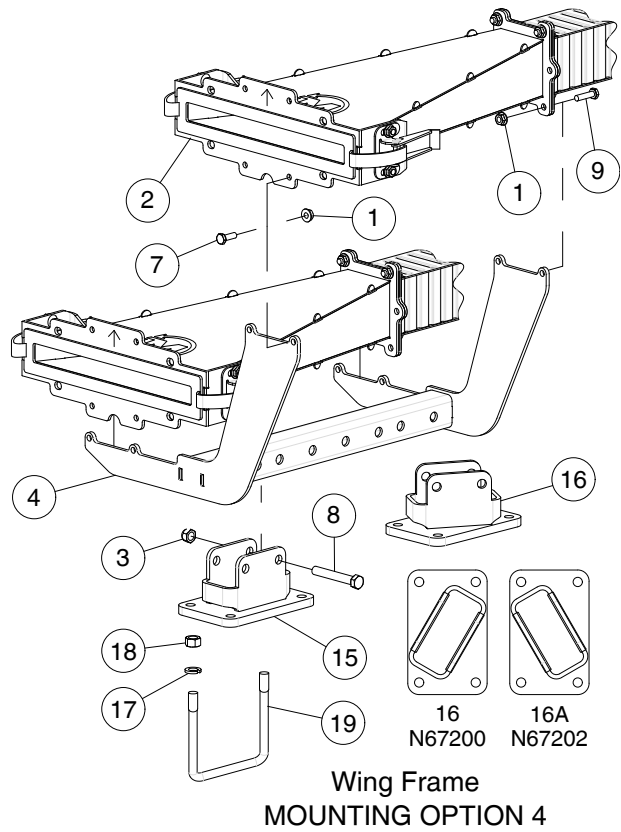
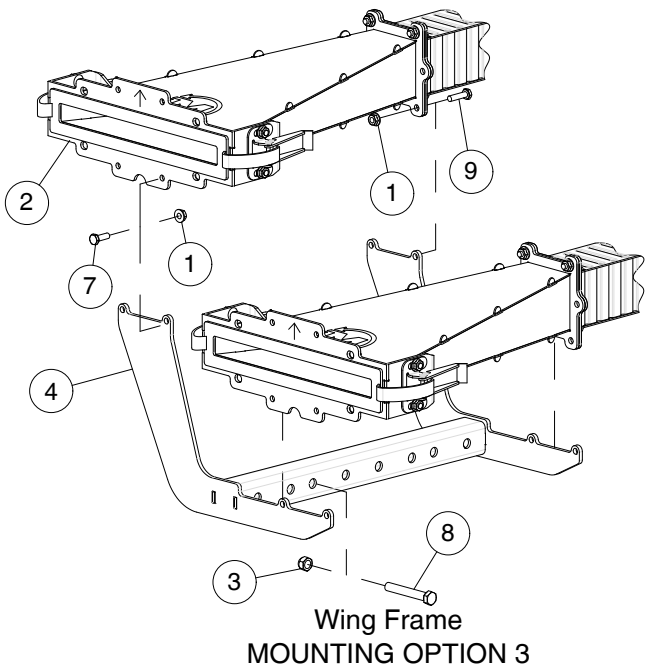
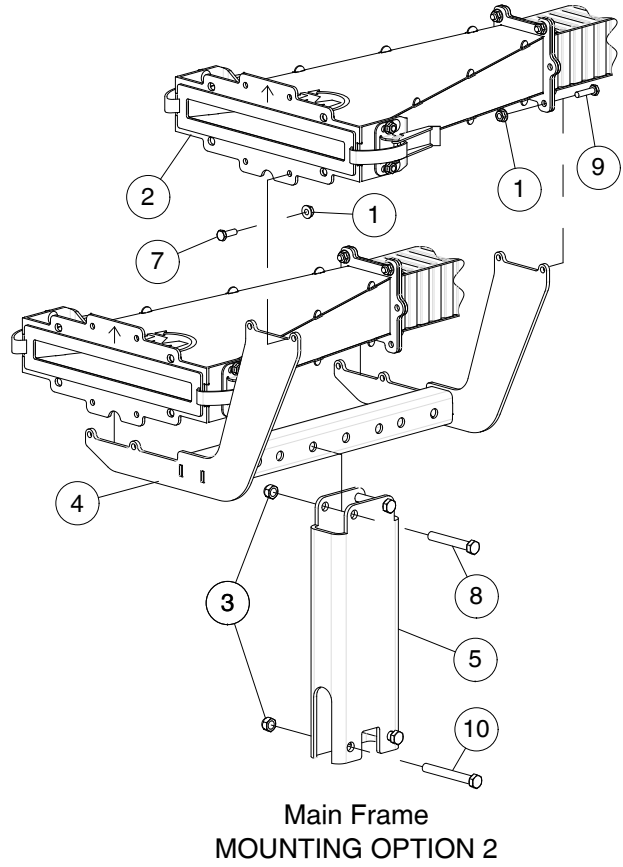
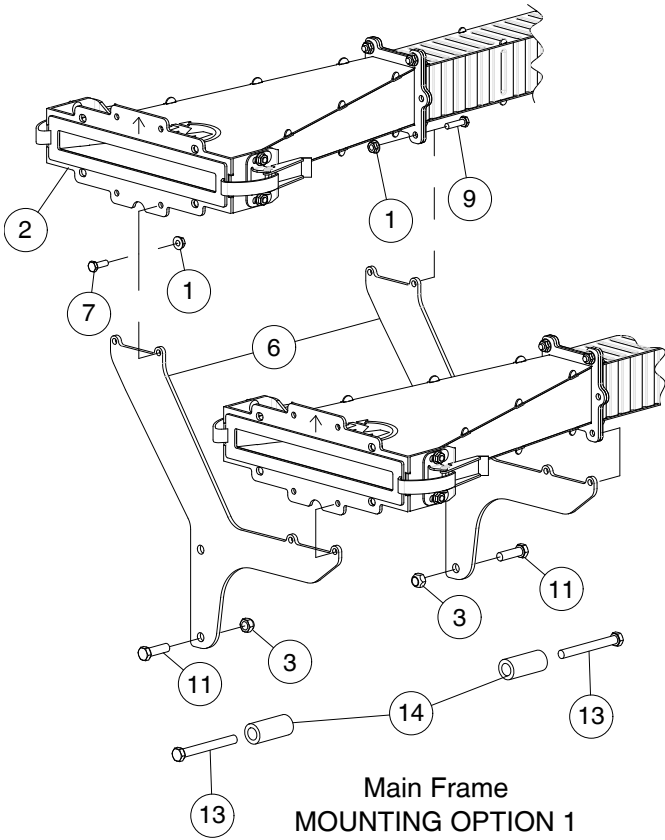
Divider Head Assembly - Mounting Stands



MOUNTING OPTION DUAL SHOOT - Prior to 2023

Item	Part No.	Description	Qty
1	D-5277	Flange Lock Nut - 1/4 Serrated	10
2	*****	Divider Head and Diffuser Tube Assembly - See page 5-6 and 5-7	1
3	M-3388	Locknut - 3/8 Uunitorque	4
4	N67135	Head Bracket	1
6	S65390	Divider Head Pedestal - Main Frame	1
7	W-469	Hex Head - 1/4 x 3/4 Lg	4
8	W-480	Hex Bolt - 3/8 x 2 1/2 Lg.....	2
9	W-1552	Hex Bolt - 1/4 x 1 Lg.....	2
10	W-1854	Hex Bolt - 3/8 x 3 Lg.....	2
11	W-187	Hex Bolt - 3/8 x 1 1/4 Lg.....	4
12	S65382	Head Mounting Plate - Main Frame	2
13	N66140	Dual Head Mounting Plate Low Profile.....	2
14	N66141	Dual Head Mounting Plate High Profile (Optional)	2
15	N67640	Head Mounting Bracket - Straight	1
16	N67200	Head Mounting Bracket - 30 Degree - Left.....	1
16A	N67202	Head Mounting Bracket - 30 Degree - Right	1
17	W-523	Lockwasher - 3/8.....	4
18	W-514	Hex Nut - 3/8	4
19	N19723	U-Bolt - 3/8 x 4 1/16 x 6 15/16 UL	2
20	S-1299	Hex Bolt - 3/8 x 4 1/2 Lg - 60 ft	4
21	N50842	Bushings - .385 ID x 5/8 OD x 3 1/4 Lg - 60 ft	4

Divider Head Assembly Offset Dual Shoot Stands - 2023 to Present

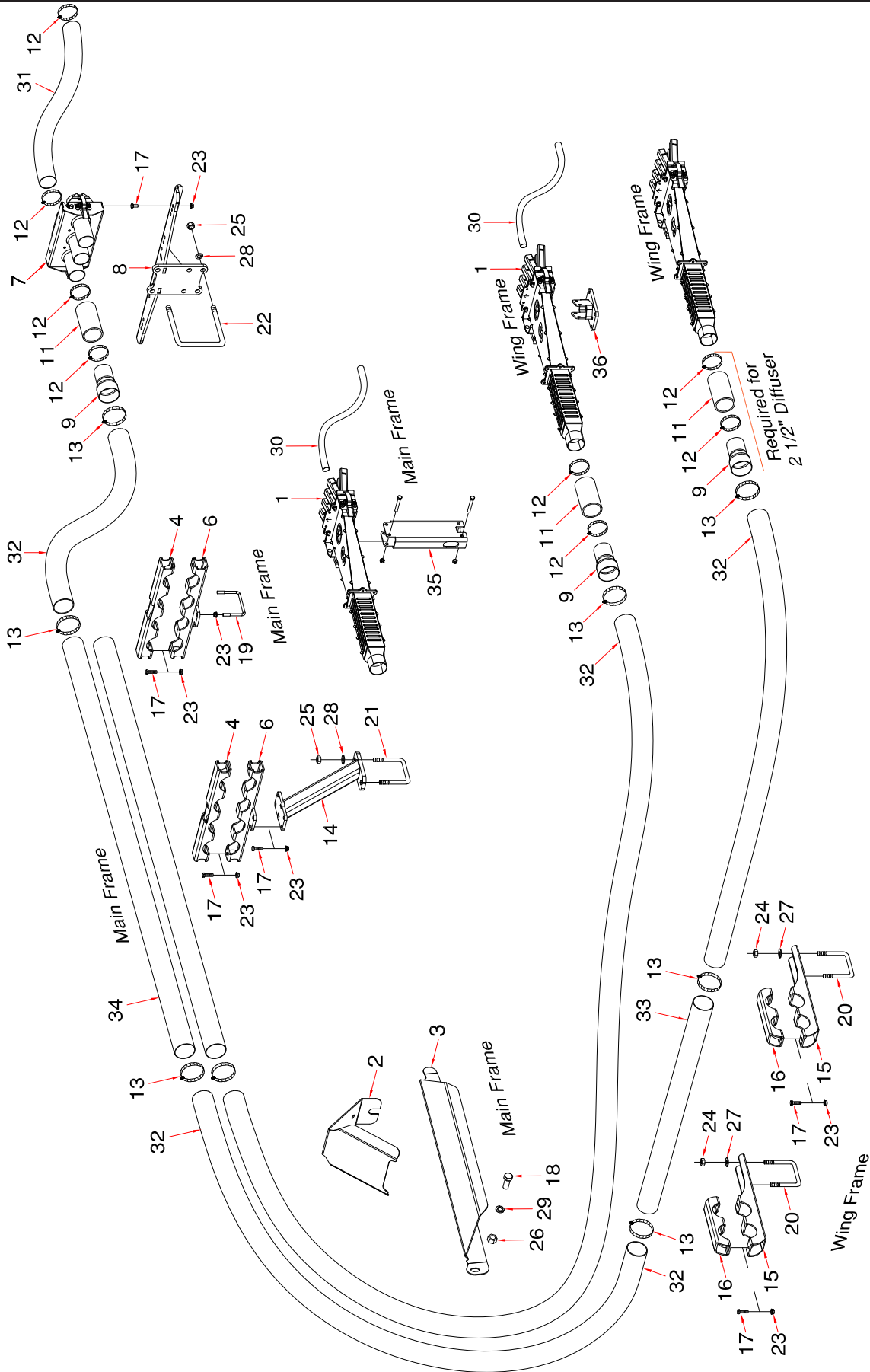


Divider Head Assembly - Offset Dual Shoot Stands - 2023 to Present

Item	Part No.	Description	Qty
1	D-5277	Flange Lock Nut - 1/4 Serrated	10
2	*****	Divider Head and Diffuser Tube Assembly - See page 5-6 and 5-7	2
3	M-3388	Locknut - 3/8 Unitorque.....	4
4	N71511	Offset Head Bracket.....	1
5	S65390	Divider Head Pedestal - Main Frame	1
6	N72719	Offset Head Mounting Plate - Main Frame	2
7	W-469	Hex Head - 1/4 x 3/4 Lg	4
8	W-480	Hex Bolt - 3/8 x 2 1/2 Lg.....	2
9	W-1552	Hex Bolt - 1/4 x 1 Lg.....	2
10	W-1854	Hex Bolt - 3/8 x 3 Lg.....	2
11	W-187	Hex Bolt - 3/8 x 1 1/4 Lg.....	4
13	S-1299	Hex Bolt - 3/8 x 4 1/2 Lg - 60 ft	4
14	N50842	Bushings - .385 ID x 5/8 OD x 3 1/4 Lg - 60 ft	4
15	N67640	Head Mounting Bracket - Straight.....	1
16	N67200	Head Mounting Bracket - 30 Degree - Left.....	1
16A	N67202	Head Mounting Bracket - 30 Degree - Right	1
17	W-523	Lockwasher - 3/8.....	4
18	W-514	Hex Nut - 3/8	4
19	N19723	U-Bolt - 3/8 x 4 1/16 x 6 15/16 UL	2

Single Shoot - Tow Behind

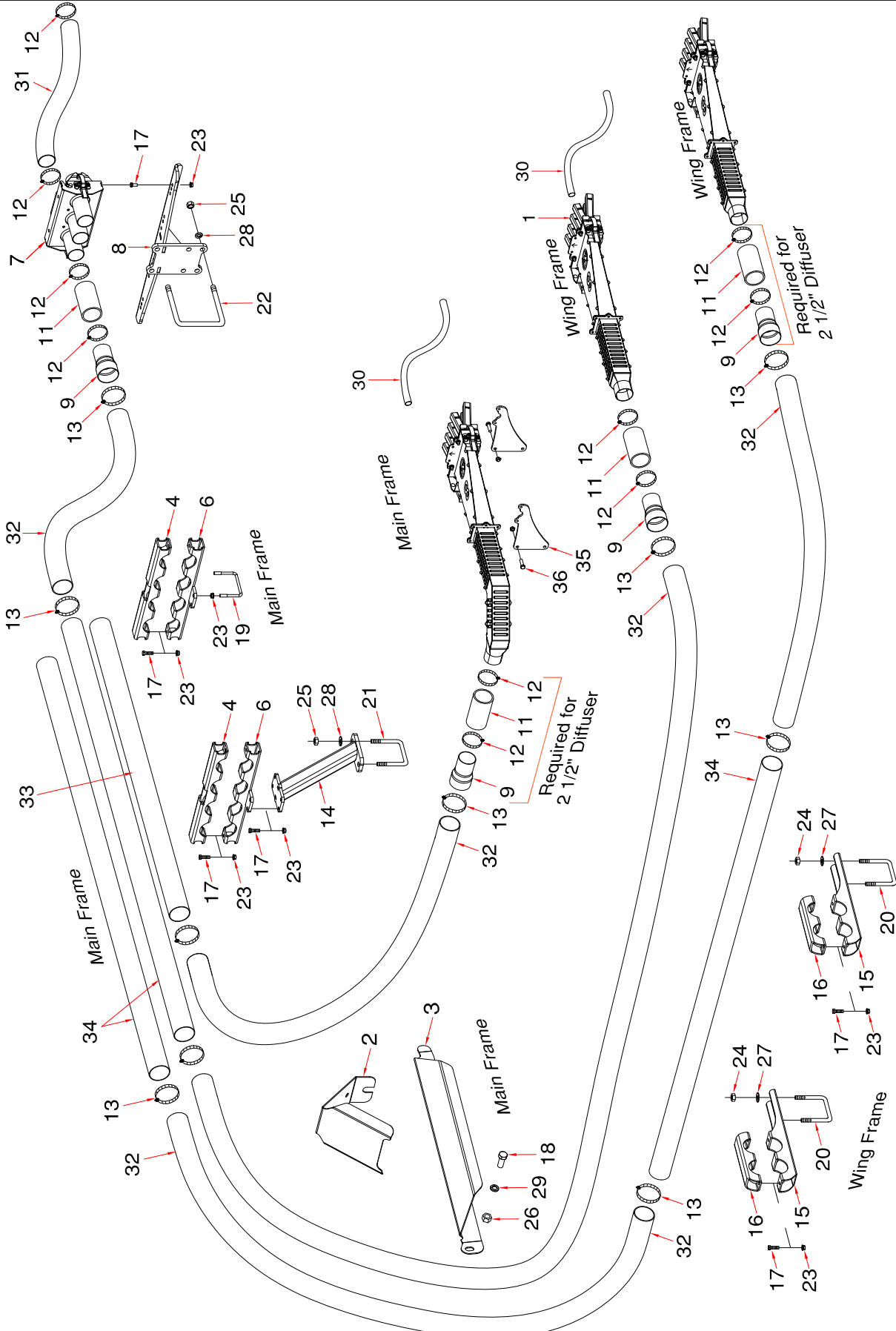
40 ft - 12m - 5 primaries - 12 and 15 inch (300 - 380mm) Spacing



Single Shoot Tow Behind - 40 ft - 12m - 5 primaries

Item	Part No.	Description	Qty
1	*****	For 12 and 15 inch - 300mm and 380mm spacing Divider Head Assembly (Refer to Divider Head Assembly for details) 12" spacing uses: N66508 - Divider Head Assembly - 8 Outlet 5 15" spacing uses: N66506 - Divider Head Assembly - 6 Outlet 3 N66507 - Divider Head Assembly - 7 Outlet 2	
2	S67250	Primary Hose Deflector 2	2
3	S66430	Primary Hose Hose Suport - Main - Left side (shown) 1	1
	S66435	Primary Hose Hose Suport - Main - Right side 1	1
4	N66321	Distribution Pipe Clamp - Main 4	4
5	*****		
6	N66335	Distribution Pipe Clamp Bracket - Main 4	4
7	*****	Quick Coupler - 3 Run (Refer to Quick Coupler Assembly for details) 2	2
8	N53203	Coupler Tower - Behind 1	1
9	N64095	Primary Hose Adapter 10	10
10	*****		
11	N19428	Hose - 2.54 ID x 2.79 OD x 5 Lg..... 10	10
12	N11905	Hose Clamp - 2 1/2 - HC5-44 (Air Cart side uses 10) 30	30
13	N64099	Hose Clamp - 3 - SSTCH5-400 22	22
14	N66325	Distribution Pipe Stand - Main 2	2
15	N66339	Distribution Pipe Support Bracket - 2 pipe - Wing 4	4
16	N66359	Distribution Pipe Clamp - 2 pipe - Wing 4	4
17	W-187	Hex Bolt - 3/8 x 1 1/4 Lg..... 24	24
18	BW-10	Hex Bolt - 3/4 x 1 3/4 Lg..... 2	2
19	D-4932	U-Bolt - 3/8 x 4 1/8 x 3 UL..... 4	4
20	C-3932	U-Bolt - 1/2 x 4 x 7 1/4 UL..... 4	4
21	S39649	U-Bolt - 5/8 x 4 x 7 3/4 UL..... 2	2
22	F-4642	U-Bolt - 5/8 x 6 x 5 1/2 UL..... 2	2
23	S27987	Locknut - 3/8 Center Lock..... 32	32
24	W-516	Nut - 1/2 8	8
25	W-517	Nut - 5/8 8	8
26	W-518	Nut - 3/4 2	2
27	W-525	Lockwasher - 1/2..... 8	8
28	W-526	Lockwasher - 5/8..... 8	8
29	W-527	Lockwasher - 3/4..... 2	2
30	R480034	Hose - .929 ID x 1.169 OD/ft (75 ft roll) . . .12"SP-450 ft . . .15"SP-375 ft - Prior to 2023..	
	N73085	Hose - 1 ID x 1.250 OD (100 ft roll) - 2023 to 2025	
	N75771	Hose - 1 ID x 1.250 OD (100 ft roll) - BLACK (Seed) - 2026 to Present	
31	N69294	Hose - 2 1/2 ID x 100 ft roll - Black (Air Cart side of couplers) 100	100
32	N75812	Hose - 3 ID x 100 ft roll - Black - (Seed)..... 100	100
33	N66396	Primary Pipe SS - 3 x 48 Lg..... 2	2
34	N64094	Primary Pipe SS - 3 x 96 Lg..... 4	4
35	S65390	Divider Head Pedestal - Main Frame 1	1
36	N67202	Head Mounting Bracket - 30 Degree - Right (shown) 1	1
36A	N67200	Head Mounting Bracket - 30 Degree - Left..... 1	1

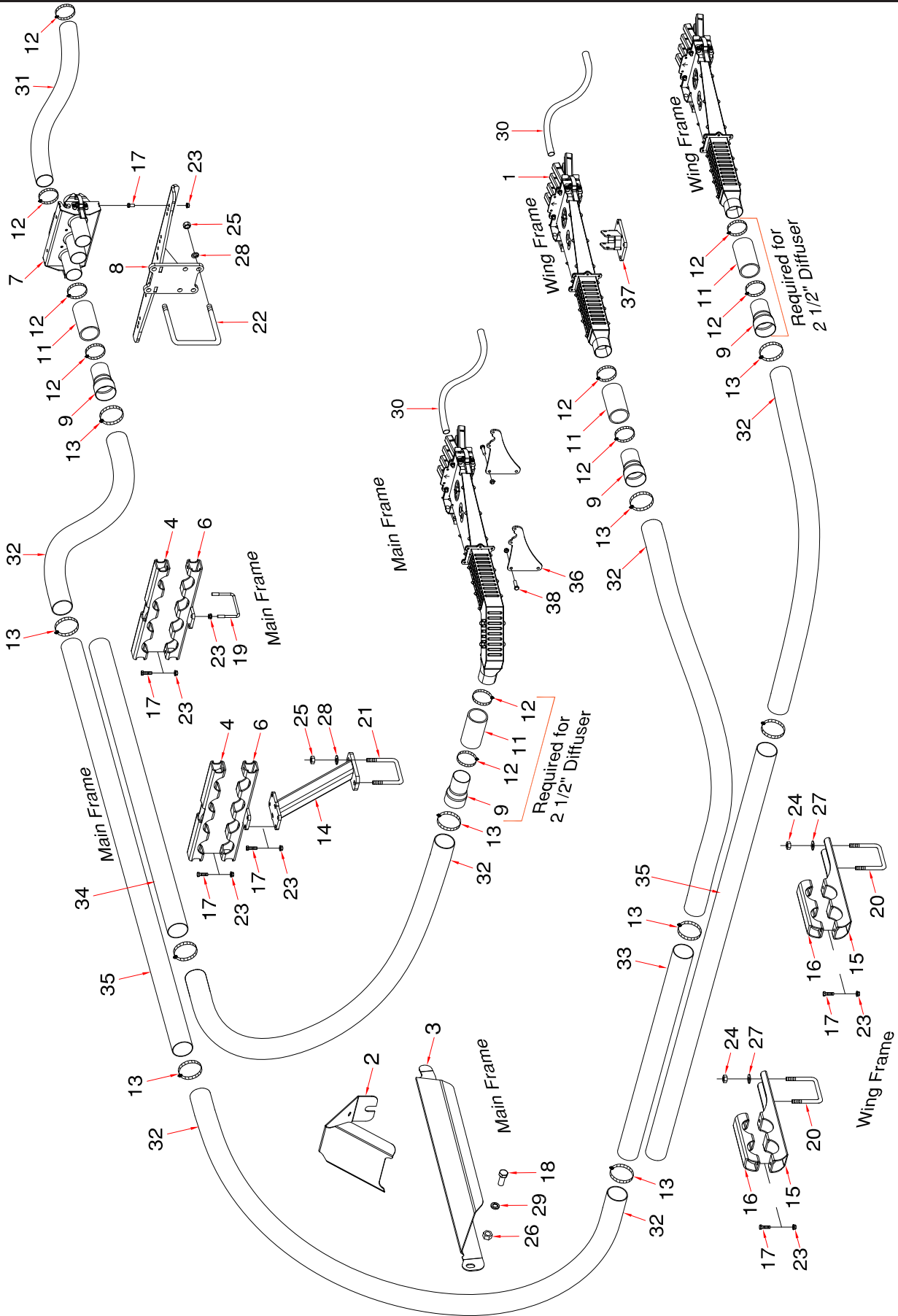
Single Shoot - Tow Behind 40 ft - 12m - 6 primaries - 10 inch (250mm) Spacing



Single Shoot Tow Behind - 40 ft -12m - 6 primaries

Item	Part No.	Description	Qty
1	*****	For 10 inch - 250mm spacing Divider Head Assembly (Refer to Divider Head Assembly for details) 10" spacing uses: N66508 - Divider Head Assembly - 8 Outlet	6
2	S67250	Primary Hose Deflector	2
3	S66430	Primary Hose Hose Suport - Main - Left side (shown)	1
	S66435	Primary Hose Hose Suport - Main - Right side	1
4	N66321	Distribution Pipe Clamp - Main	4
5	*****		
6	N66335	Distribution Pipe Clamp Bracket - Main	4
7	*****	Quick Coupler - 3 Run (Refer to Quick Coupler Assembly for details)	2
8	N53203	Coupler Tower - Behind	1
9	N64095	Primary Hose Adapter	12
10	*****		
11	N19428	Hose - 2.54 ID x 2.79 OD x 5 Lg.....	12
12	N11905	Hose Clamp - 2 1/2 - HC5-44 (Air Cart side uses 12)	36
13	N64099	Hose Clamp - 3 - SSTCH5-400	28
14	N66325	Distribution Pipe Stand - Main	2
15	N66339	Distribution Pipe Support Bracket - 2 pipe - Wing	4
16	N66359	Distribution Pipe Clamp - 2 pipe - Wing	4
17	W-187	Hex Bolt - 3/8 x 1 1/4 Lg.....	24
18	BW-10	Hex Bolt - 3/4 x 1 3/4 Lg.....	2
19	D-4932	U-Bolt - 3/8 x 4 1/8 x 3 UL.....	4
20	C-3932	U-Bolt - 1/2 x 4 x 7 1/4 UL.....	4
21	S39649	U-Bolt - 5/8 x 4 x 7 3/4 UL.....	2
22	F-4642	U-Bolt - 5/8 x 6 x 5 1/2 UL.....	2
23	S27987	Locknut - 3/8 Center Lock.....	32
24	W-516	Nut - 1/2	8
25	W-517	Nut - 5/8	8
26	W-518	Nut - 3/4	2
27	W-525	Lockwasher - 1/2.....	8
28	W-526	Lockwasher - 5/8.....	8
29	W-527	Lockwasher - 3/4.....	2
30	R480034	Hose - .929 ID x 1.169 OD/ft (75 ft roll)	600
	N73085	Hose - 1 ID x 1.250 OD (100 ft roll) - 2023 to 2025	
	N75771	Hose - 1 ID x 1.250 OD (100 ft roll) - BLACK (Seed) - 2026 to Present	
31	N69294	Hose - 2 1/2 ID x 100 ft roll - Black (Air Cart side of couplers)	125
32	N75812	Hose - 3 ID x 100 ft roll - Black - (Seed)	100
33	N64092	Primary Pipe SS - 3 x 72 Lg.....	2
34	N64094	Primary Pipe SS - 3 x 96 Lg.....	6
35	S65382	Head Mounting Plate - Main	4
36	W-187	Hex Bolt - 3/8 x 1 1/4 Lg.....	8

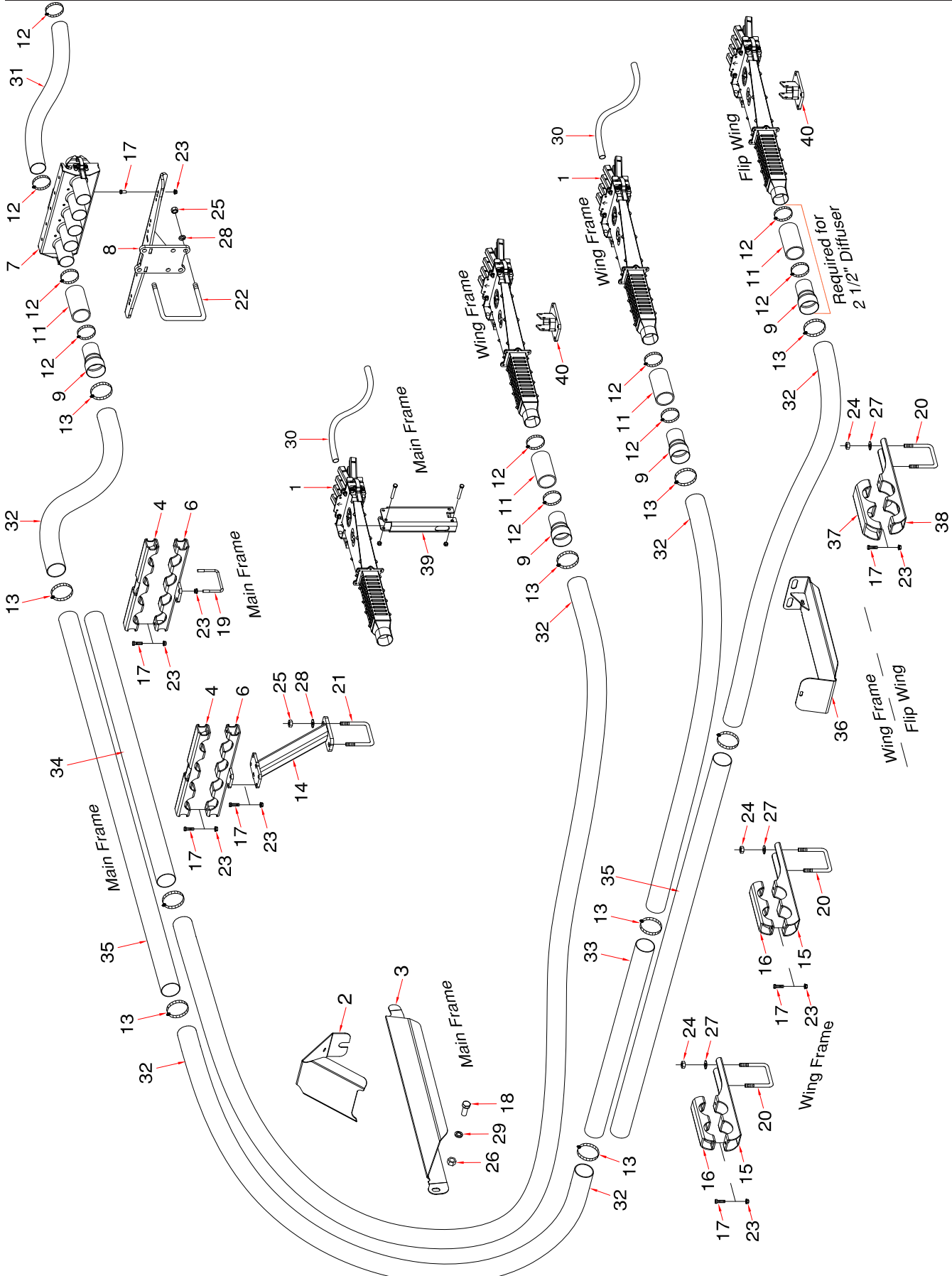
Single Shoot - Tow Behind 50 ft - 15m - 6 primaries - 15 inch (380mm) Spacing



Single Shoot Tow Behind - 50 ft - 15m - 6 primaries

Item	Part No.	Description	Qty
1	*****	For 15 inch - 380mm spacing Divider Head Assembly (Refer to Divider Head Assembly for details) 15" spacing uses: N66506 - Divider Head Assembly - 6 Outlet N66507 - Divider Head Assembly - 7 Outlet	2 4
2	S67250	Primary Hose Deflector	2
3	S66430	Primary Hose Hose Suport - Main - Left side (shown)	1
	S66435	Primary Hose Hose Suport - Main - Right side	1
4	N66321	Distribution Pipe Clamp - Main	4
5	*****		
6	N66335	Distribution Pipe Clamp Bracket - Main	4
7	*****	Quick Coupler - 3 Run (Refer to Quick Coupler Assembly for details)	2
8	N53203	Coupler Tower - Behind	1
9	N64095	Primary Hose Adapter	12
10	*****		
11	N19428	Hose - 2.54 ID x 2.79 OD x 5 Lg.....	12
12	N11905	Hose Clamp - 2 1/2 - HC5-44 (Air Cart side uses 12)	36
13	N64099	Hose Clamp - 3 - SSTCH5-400	32
14	N66325	Distribution Pipe Stand - Main	2
15	N66339	Distribution Pipe Support Bracket - 2 pipe - Wing	4
16	N66359	Distribution Pipe Clamp - 2 pipe - Wing	4
17	W-187	Hex Bolt - 3/8 x 1 1/4 Lg.....	24
18	BW-10	Hex Bolt - 3/4 x 1 3/4 Lg.....	2
19	D-4932	U-Bolt - 3/8 x 4 1/8 x 3 UL.....	4
20	C-3932	U-Bolt - 1/2 x 4 x 7 1/4 UL.....	4
21	S39649	U-Bolt - 5/8 x 4 x 7 3/4 UL.....	2
22	F-4642	U-Bolt - 5/8 x 6 x 5 1/2 UL.....	2
23	S27987	Locknut - 3/8 Center Lock.....	32
24	W-516	Nut - 1/2	8
25	W-517	Nut - 5/8	8
26	W-518	Nut - 3/4	2
27	W-525	Lockwasher - 1/2.....	8
28	W-526	Lockwasher - 5/8.....	8
29	W-527	Lockwasher - 3/4.....	2
30	R480034	Hose - .929 ID x 1.169 OD/ft (75 ft roll)	450
	N73085	Hose - 1 ID x 1.250 OD (100 ft roll) - 2023 to 2025	
	N75771	Hose - 1 ID x 1.250 OD (100 ft roll) - BLACK (Seed) - 2026 to Present	
31	N69294	Hose - 2 1/2 ID x 100 ft roll - Black (Air Cart side of couplers)	125
32	N75812	Hose - 3 ID x 100 ft roll - Black - (Seed).....	100
33	N66396	Primary Pipe SS - 3 x 48 Lg.....	2
34	N64092	Primary Pipe SS - 3 x 72 Lg.....	2
35	N64094	Primary Pipe SS - 3 x 96 Lg.....	6
36	S65382	Head Mounting Plate - Main	4
37	N67202	Head Mounting Bracket - 30 Degree - Right (shown)	1
37A	N67200	Head Mounting Bracket - 30 Degree - Left.....	1
38	W-187	Hex Bolt - 3/8 x 1 1/4 Lg.....	8

Single Shoot - Tow Behind 50 ft - 15m - 7 primaries - 10 and 12 inch (250 - 300mm) Spacing

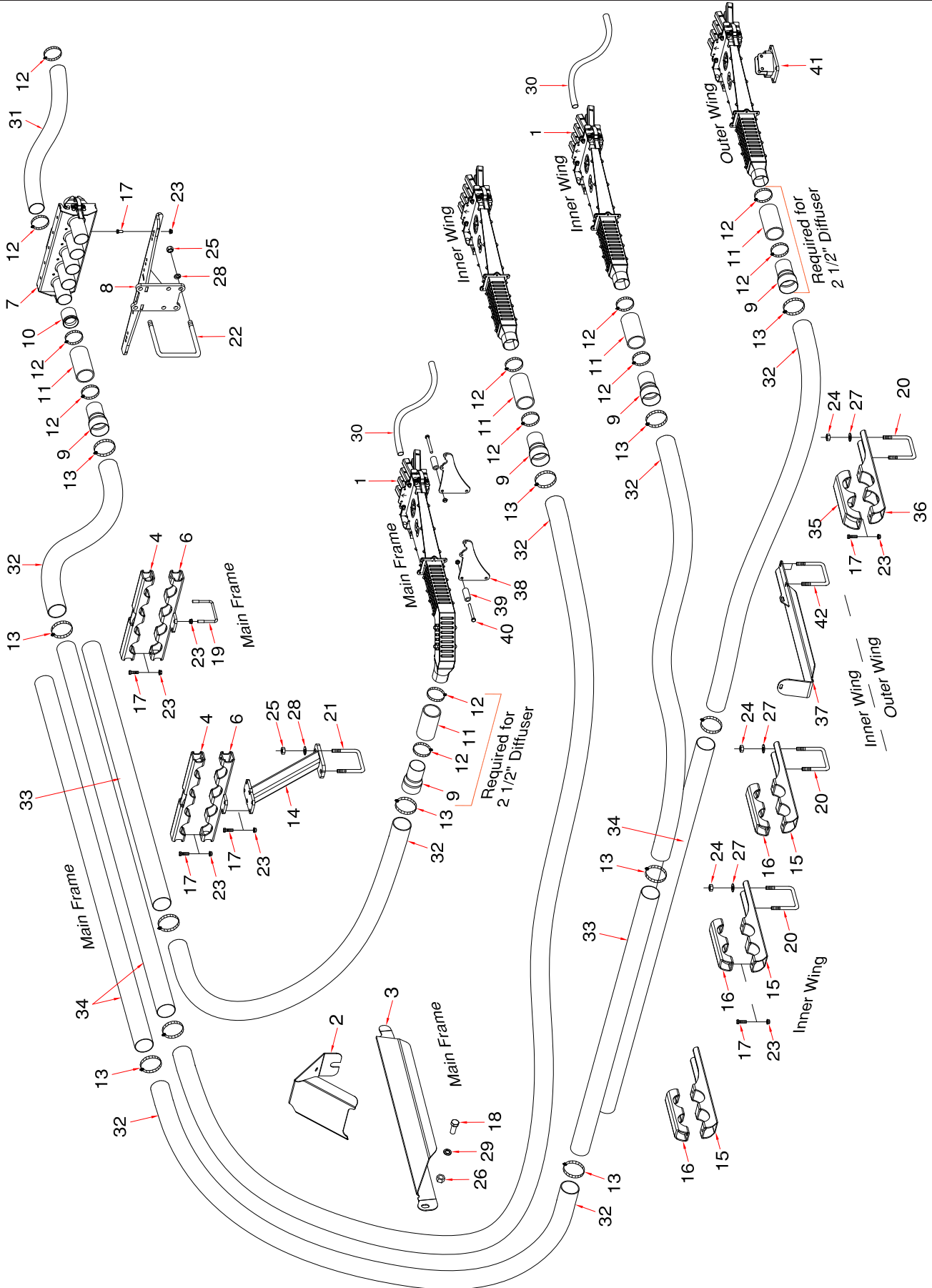


Single Shoot Tow Behind - 50 ft 7 primaries

Item	Part No.	Description	Qty
1	*****	For 10 and 12 inch - 250mm and 300mm spacing Divider Head Assembly (Refer to Divider Head Assembly for details) 10" spacing uses: N66508 - Divider Head Assembly - 8 Outlet N66509 - Divider Head Assembly - 9 Outlet 12" spacing uses: N66507 - Divider Head Assembly - 7 Outlet N66508 - Divider Head Assembly - 8 Outlet	3 4 6 1
2	S67250	Primary Hose Deflector	2
3	S66430	Primary Hose Hose Suport - Main - Left side (shown)	1
	S66435	Primary Hose Hose Suport - Main - Right side	1
4	N66321	Distribution Pipe Clamp - Main	4
5	*****		
6	N66335	Distribution Pipe Clamp Bracket - Main	4
7	*****	Quick Coupler - 5 Run (Refer to Quick Coupler Assembly for details)	2
8	N53203	Coupler Tower - Behind	1
9	N64095	Primary Hose Adapter	14
10	*****		
11	N19428	Hose - 2.54 ID x 2.79 OD x 5 Lg.....	14
12	N11905	Hose Clamp - 2 1/2 - HC5-44 (Air Cart side uses 14)	42
13	N64099	Hose Clamp - 3 - SSTCH5-400	34
14	N66325	Distribution Pipe Stand - Main	2
15	N66339	Distribution Pipe Support Bracket - 2 pipe - Wing	4
16	N66359	Distribution Pipe Clamp - 2 pipe - Wing	4
17	W-187	Hex Bolt - 3/8 x 1 1/4 Lg.....	28
18	BW-10	Hex Bolt - 3/4 x 1 3/4 Lg.....	2
19	D-4932	U-Bolt - 3/8 x 4 1/8 x 3 UL.....	4
20	C-3932	U-Bolt - 1/2 x 4 x 7 1/4 UL.....	12
21	S39649	U-Bolt - 5/8 x 4 x 7 3/4 UL.....	2
22	F-4642	U-Bolt - 5/8 x 6 x 5 1/2 UL.....	2
23	S27987	Locknut - 3/8 Center Lock.....	36
24	W-516	Nut - 1/2	24
25	W-517	Nut - 5/8	8
26	W-518	Nut - 3/4	2
27	W-525	Lockwasher - 1/2.....	24
28	W-526	Lockwasher - 5/8.....	8
29	W-527	Lockwasher - 3/4.....	2
30	R480034	Hose - .929 ID x 1.169 OD/ft (75 ft roll) . . . 10"SP-675 ft . . . 12"SP-600 ft	
	N73085	Hose - 1 ID x 1.250 OD (100 ft roll) - 2023 to 2025	
	N75771	Hose - 1 ID x 1.250 OD (100 ft roll) - BLACK (Seed) - 2026 to Present	
31	N69294	Hose - 2 1/2 ID x 100 ft roll - Black (Air Cart side of couplers)	150
32	N75812	Hose - 3 ID x 100 ft roll - Black - (Seed).....	150
33	N66396	Primary Pipe SS - 3 x 48 Lg.....	2
34	N64092	Primary Pipe SS - 3 x 72 Lg.....	2
35	N64094	Primary Pipe SS - 3 x 96 Lg.....	6
36	N67295	Primary Hose Guide Plate - Wing	2
37	N66374	Distribution Hose Clamp - Wing - 3 5/8 Dia	2
38	N66375	Distribution Hose Support Bracket - Wing - 3 5/8 Dia	2
39	S65390	Divider Head Pedestal - Main Frame	1
40	N67202	Head Mounting Bracket - 30 Degree - Right (shown)	1
40A	N67200	Head Mounting Bracket - 30 Degree - Left.....	1

Single Shoot - Tow Behind

60 ft - 18m - 8 primaries - 10, 12 and 15 inch (250 - 300 - 380mm) Spacing

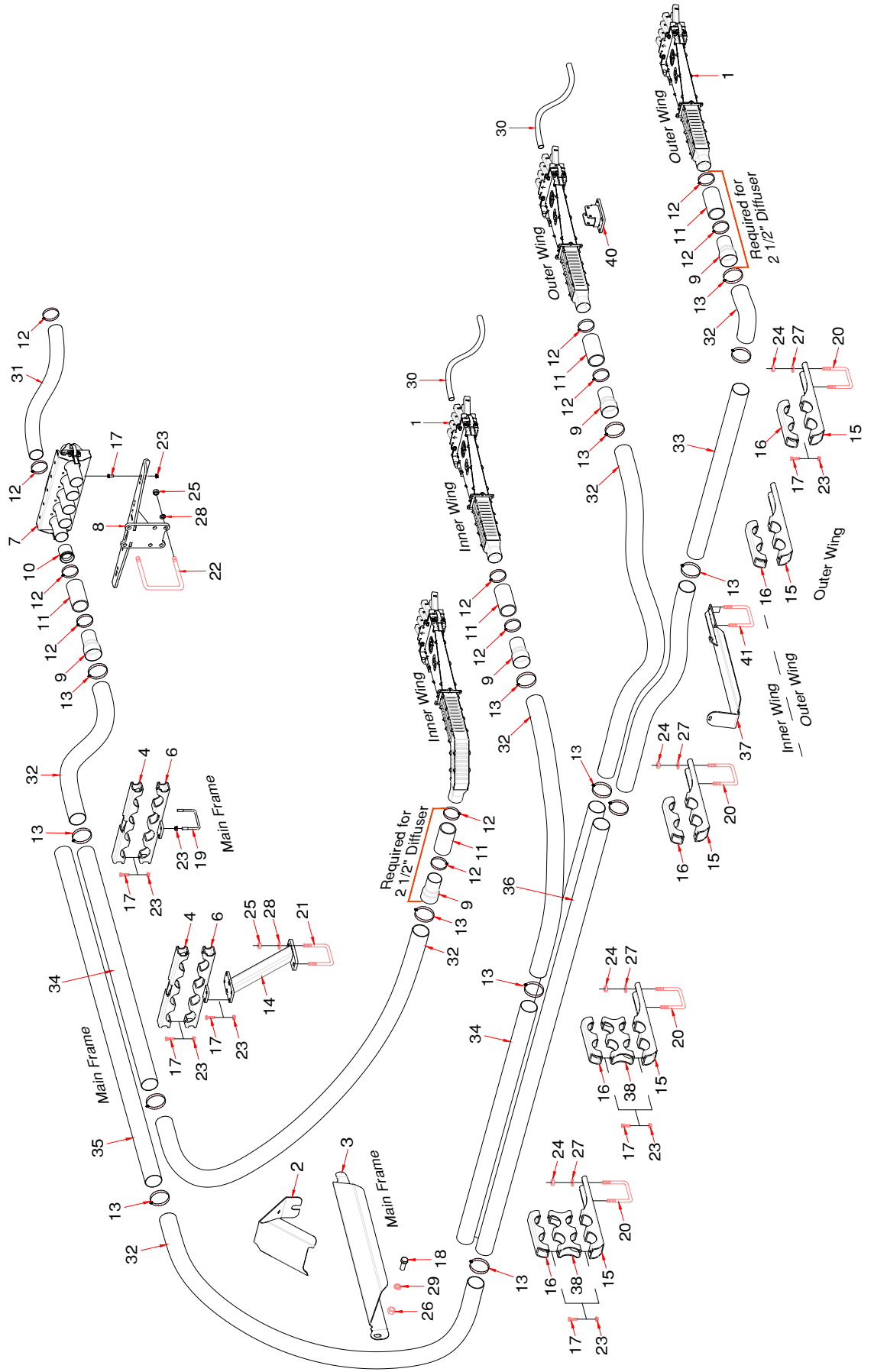


Single Shoot Tow Behind - 60 ft - 18m - 8 primaries

Item	Part No.	Description	Qty
1	*****	For 10, 12 and 15 inch - 250mm, 300mm and 380mm spacing Divider Head Assembly (Refer to Divider Head Assembly for details) 10" spacing uses: N66509 - Divider Head Assembly - 9 Outlet 8 12" spacing uses: N66507 - Divider Head Assembly - 7 Outlet 4 N66508 - Divider Head Assembly - 8 Outlet 4 15" spacing uses: N66506 - Divider Head Assembly - 6 Outlet 8	
2	S67250	Primary Hose Deflector 2	
3	S66430	Primary Hose Hose Suport - Main - Left side (shown) 1	
	S66435	Primary Hose Hose Suport - Main - Right side 1	
4	N66321	Distribution Pipe Clamp - Main 4	
5	*****		
6	N66335	Distribution Pipe Clamp Bracket - Main 4	
7	*****	Quick Coupler - 5 Run (Refer to Quick Coupler Assembly for details) 2	
8	N53203	Coupler Tower - Behind 1	
9	N64095	Primary Hose Adapter 16	
10	N37920	Equalizer 0	
11	N19428	Hose - 2.54 ID x 2.79 OD x 5 Lg. 16	
12	N11905	Hose Clamp - 2 1/2 - HC5-44 (Air Cart side uses 16) 48	
13	N64099	Hose Clamp - 3 - SSTCH5-400 40	
14	N66325	Distribution Pipe Stand - Main 2	
15	N66339	Distribution Pipe Support Bracket - 2 pipe - Wing - Wing 6	
16	N66359	Distribution Pipe Clamp - 2 pipe - Wing - Wing 6	
17	W-187	Hex Bolt - 3/8 x 1 1/4 Lg. 32	
18	BW-10	Hex Bolt - 3/4 x 1 3/4 Lg. 2	
19	D-4932	U-Bolt - 3/8 x 4 1/8 x 3 UL 4	
20	C-3932	U-Bolt - 1/2 x 4 x 7 1/4 UL 8	
21	S39649	U-Bolt - 5/8 x 4 x 7 3/4 UL 2	
22	F-4642	U-Bolt - 5/8 x 6 x 5 1/2 UL 2	
23	S27987	Locknut - 3/8 Center Lock 40	
24	W-516	Nut - 1/2 16	
25	W-517	Nut - 5/8 8	
26	W-518	Nut - 3/4 2	
27	W-525	Lockwasher - 1/2 16	
28	W-526	Lockwasher - 5/8 8	
29	W-527	Lockwasher - 3/4 2	
30	R480034	Hose - .929 ID x 1.169 OD/ft (75 ft roll) 10"SP-825 ft . . 12"SP-675 ft . . 15"SP-600 ft 175	
	N73085	Hose - 1 ID x 1.250 OD (100 ft roll) - 2023 to 2025	
	N75771	Hose - 1 ID x 1.250 OD (100 ft roll) - BLACK (Seed) - 2026 to Present	
31	N69294	Hose - 2 1/2 ID x 100 ft roll - Black (Air Cart side of couplers) 175	
32	N75812	Hose - 3 ID x 100 ft roll - Black - (Seed) 150	
33	N64092	Primary Pipe SS - 3 x 72 Lg. 4	
34	N64094	Primary Pipe SS - 3 x 96 Lg. 6	
35	N66374	Distribution Hose Clamp - Wing - 3 5/8 Dia 2	
36	N66375	Distribution Hose Support Bracket - Wing - 3 5/8 Dia 2	
37	N66395	Primary Hose Guide Plate - Wing 2	
38	S65382	Head Mounting Plate - Main 4	
39	N50842	Bushings - .385 ID x 5/8 OD x 3 1/4 Lg 8	
40	S-1299	Hex Bolt - 3/8 x 4 1/2 Lg. 8	
41	N67200	Head Mounting Bracket - 30 Degree - Left (shown) 1	
41A	N67202	Head Mounting Bracket - 30 Degree - Right 1	
42	N19723	U-Bolt - 3/8 x 4 1/16 x 6 15/16 UL 8	

Single Shoot - Tow Behind

70 ft - 21m - 8 primaries - 10, 12 and 15 inch (250 - 300 - 380mm) Spacing

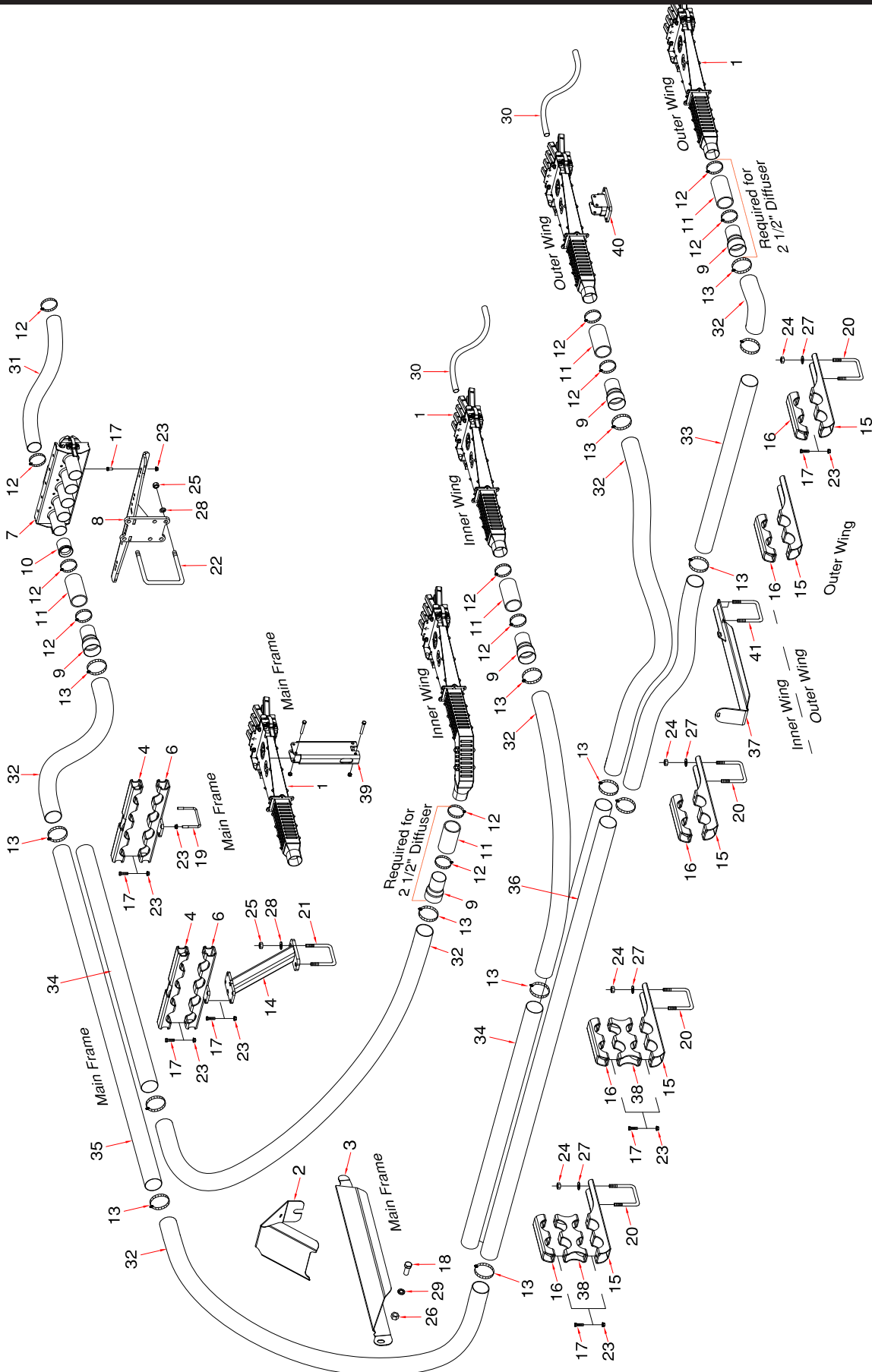


Single Shoot Tow Behind - 70 ft -21m - 8 primaries

Item	Part No.	Description	Qty
1	*****	For 10, 12 and 15 inch - 250mm, 300mm and 380mm spacing	
1	*****	Divider Head Assembly (Refer to Divider Head Assembly for details)	
		Divider Head Assembly (Refer to Divider Head Assembly for details)	
		10" spacing uses:	
		N66510 - Divider Head Assembly - 10 Outlet.....	4
		***** - Divider Head Assembly - 11 Outlet	4
		12" spacing uses:	
		N66508 - Divider Head Assembly - 8 Outlet	2
		N66509 - Divider Head Assembly - 9 Outlet	6
		15" spacing uses:	
		N66507 - Divider Head Assembly - 7 Outlet	8
2	S67250	Primary Hose Deflector	2
3	S66430	Primary Hose Hose Suport - Main - Left side (shown)	1
	S66435	Primary Hose Hose Suport - Main - Right side	1
4	N66321	Distribution Pipe Clamp - Main	4
5	*****		
6	N66335	Distribution Pipe Clamp Bracket - Main	4
7	*****	Quick Coupler - 5 Run (Refer to Quick Coupler Assembly for details)	2
8	N53203	Coupler Tower - Behind	1
9	N64095	Primary Hose Adapter	16
10	N37920	Equalizer	0
11	N19428	Hose - 2.54 ID x 2.79 OD x 5 Lg.....	16
12	N11905	Hose Clamp - 2 1/2 - HC5-44 (Air Cart side uses 18)	50
13	N64099	Hose Clamp - 3 - SSTCH5-400	48
14	N66325	Distribution Pipe Stand - Main	2
15	N66339	Distribution Pipe Support Bracket - Wing	10
16	N66359	Distribution Pipe Clamp - Wing	4
17	W-187	Hex Bolt - 3/8 x 1 1/4 Lg.....	44
18	BW-10	Hex Bolt - 3/4 x 1 3/4 Lg.....	2
19	D-4932	U-Bolt - 3/8 x 4 1/8 x 3 UL.....	4
20	C-3932	U-Bolt - 1/2 x 4 x 7 1/4 UL.....	10
21	S39649	U-Bolt - 5/8 x 4 x 7 3/4 UL.....	2
22	F-4642	U-Bolt - 5/8 x 6 x 5 1/2 UL.....	2
23	S27987	Locknut - 3/8 Center Lock.....	52
24	W-516	Nut - 1/2	20
25	W-517	Nut - 5/8	8
26	W-518	Nut - 3/4	2
27	W-525	Lockwasher - 1/2.....	20
28	W-526	Lockwasher - 5/8.....	8
29	W-527	Lockwasher - 3/4.....	2
30	R480034	Hose - .929 ID x 1.169 OD/ft (75 ft roll) 10"SP-975 ft . . 12"SP-825 ft . . 15"SP-675 ft	
	N73085	Hose - 1 ID x 1.250 OD (100 ft roll) - 2023 to 2025	
	N75771	Hose - 1 ID x 1.250 OD (100 ft roll) - BLACK (Seed) - 2026 to Present	
31	N69294	Hose - 2 1/2 ID x 100 ft roll - Black (Air Cart side of couplers)	180
32	N75812	Hose - 3 ID x 100 ft roll - Black - (Seed).....	175
33	N66396	Primary Pipe SS - 3 x 48 Lg.....	2
34	N64092	Primary Pipe SS - 3 x 72 Lg.....	4
35	N64094	Primary Pipe SS - 3 x 96 Lg.....	6
36	N64096	Primary Pipe SS - 3 x 120 Lg.....	4
37	N66395	Primary Hose Guide Plate.....	2
38	N66358	Distribution Pipe Spacer - 2 pipe - Wing	4
39	*****		
40	N67640	Head Mounting Bracket - Straight	2
41	N19723	U-Bolt - 3/8 x 4 1/16 x 6 15/16 UL	8

Single Shoot - Tow Behind

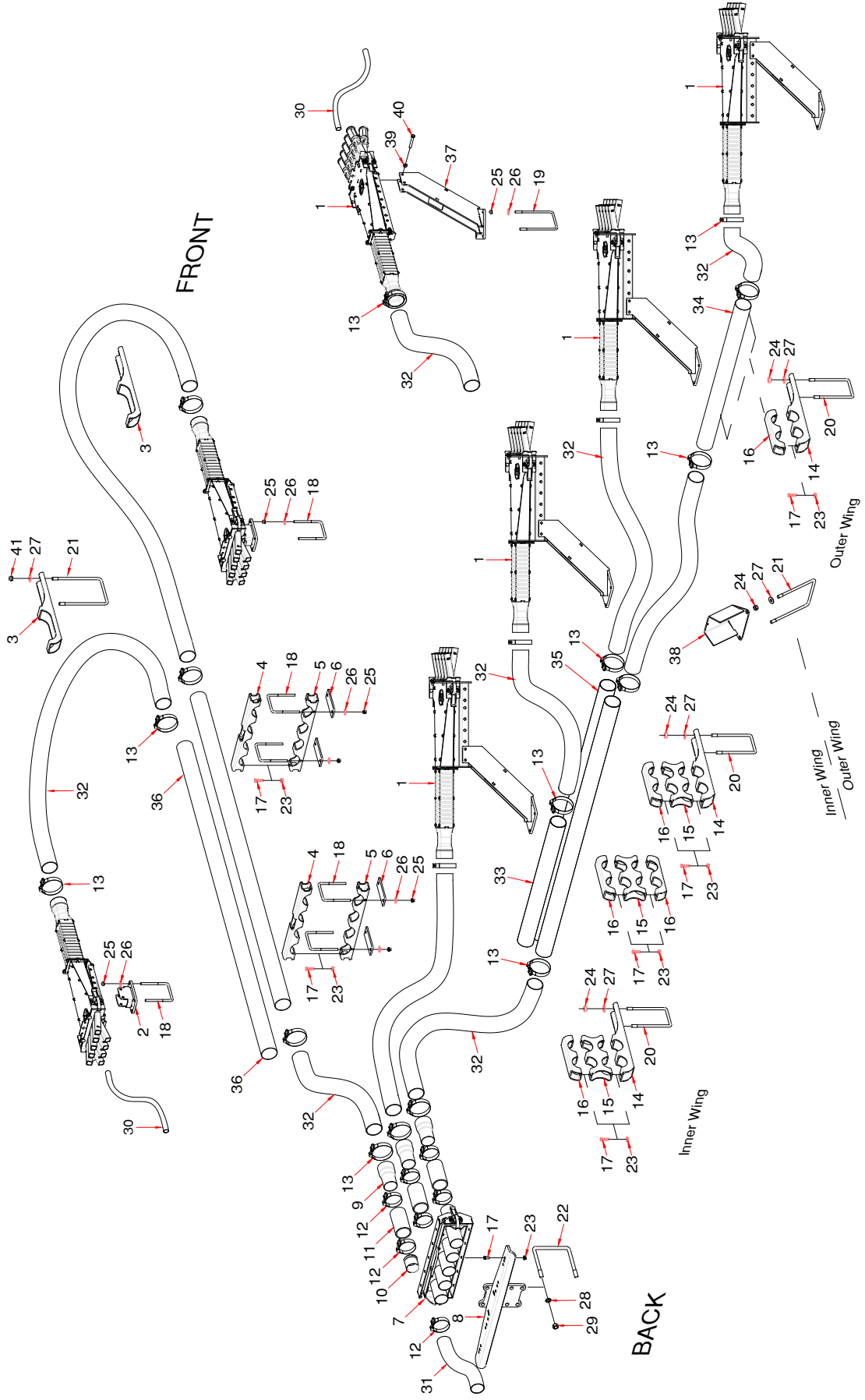
70 ft - 21m - 9 primaries - 10, 12 and 15 inch (250 - 300 - 380mm) Spacing



Single Shoot Tow Behind - 70 ft -21m - 9 primaries

Item	Part No.	Description	Qty
1	*****	For 10, 12 and 15 inch - 250mm, 300mm and 380mm spacing Divider Head Assembly (Refer to Divider Head Assembly for details) 10" spacing uses: N66509 - Divider Head Assembly - 9 Outlet 6 N66510 - Divider Head Assembly - 10 Outlet..... 3 12" spacing uses: N66507 - Divider Head Assembly - 7 Outlet 2 N66508 - Divider Head Assembly - 8 Outlet 7 15" spacing uses: N66506 - Divider Head Assembly - 6 Outlet 7 N66507 - Divider Head Assembly - 7 Outlet 2	
2	S67250	Primary Hose Deflector 2	2
3	S66430	Primary Hose Hose Suport - Main - Left side (shown) 1	1
	S66435	Primary Hose Hose Suport - Main - Right side 1	1
4	N66321	Distribution Pipe Clamp - Main 4	4
5	*****		
6	N66335	Distribution Pipe Clamp Bracket - Main 4	4
7	*****		
8	N53203	Quick Coupler - 5 Run (Refer to Quick Coupler Assembly for details) 2	2
9	N64095	Coupler Tower - Behind 1	1
10	N64095	Primary Hose Adapter 18	18
11	N37920	Equalizer 0	0
12	N19428	Hose - 2.54 ID x 2.79 OD x 5 Lg..... 18	18
13	N11905	Hose Clamp - 2 1/2 - HC5-44 (Air Cart side uses 18) 54	54
14	N64099	Hose Clamp - 3 - SSTCH5-400 50	50
15	N66325	Distribution Pipe Stand - Main 2	2
16	N66339	Distribution Pipe Support Bracket - Wing 10	10
17	N66359	Distribution Pipe Clamp - Wing 4	4
18	W-187	Hex Bolt - 3/8 x 1 1/4 Lg..... 44	44
19	BW-10	Hex Bolt - 3/4 x 1 3/4 Lg..... 2	2
20	D-4932	U-Bolt - 3/8 x 4 1/8 x 3 UL..... 4	4
21	C-3932	U-Bolt - 1/2 x 4 x 7 1/4 UL..... 10	10
22	S39649	U-Bolt - 5/8 x 4 x 7 3/4 UL..... 2	2
23	F-4642	U-Bolt - 5/8 x 6 x 5 1/2 UL..... 2	2
24	S27987	Locknut - 3/8 Center Lock..... 52	52
25	W-516	Nut - 1/2 20	20
26	W-517	Nut - 5/8 8	8
27	W-518	Nut - 3/4 2	2
28	W-525	Lockwasher - 1/2..... 20	20
29	W-526	Lockwasher - 5/8..... 8	8
30	W-527	Lockwasher - 3/4..... 2	2
31	R480034	Hose - .929 ID x 1.169 OD/ft (75 ft roll) 10"SP-975 ft . . 12"SP-825 ft . . 15"SP-675 ft.....	
	N73085	Hose - 1 ID x 1.250 OD (100 ft roll) - 2023 to 2025	
	N75771	Hose - 1 ID x 1.250 OD (100 ft roll) - BLACK (Seed) - 2026 to Present	
32	N69294	Hose - 2 1/2 ID x 100 ft roll - Black (Air Cart side of couplers) 180	180
33	N75812	Hose - 3 ID x 100 ft roll - Black - (Seed)..... 175	175
34	N66396	Primary Pipe SS - 3 x 48 Lg..... 2	2
35	N64092	Primary Pipe SS - 3 x 72 Lg..... 4	4
36	N64094	Primary Pipe SS - 3 x 96 Lg..... 6	6
37	N64096	Primary Pipe SS - 3 x 120 Lg..... 4	4
38	N66395	Primary Hose Guide Plate..... 2	2
39	N66358	Distribution Pipe Spacer - 2 pipe - Wing 4	4
40	S65390	Divider Head Pedestal - Main Frame 1	1
41	N67640	Head Mounting Bracket - Straight 2	2
	N19723	U-Bolt - 3/8 x 4 1/16 x 6 15/16 UL 8	8

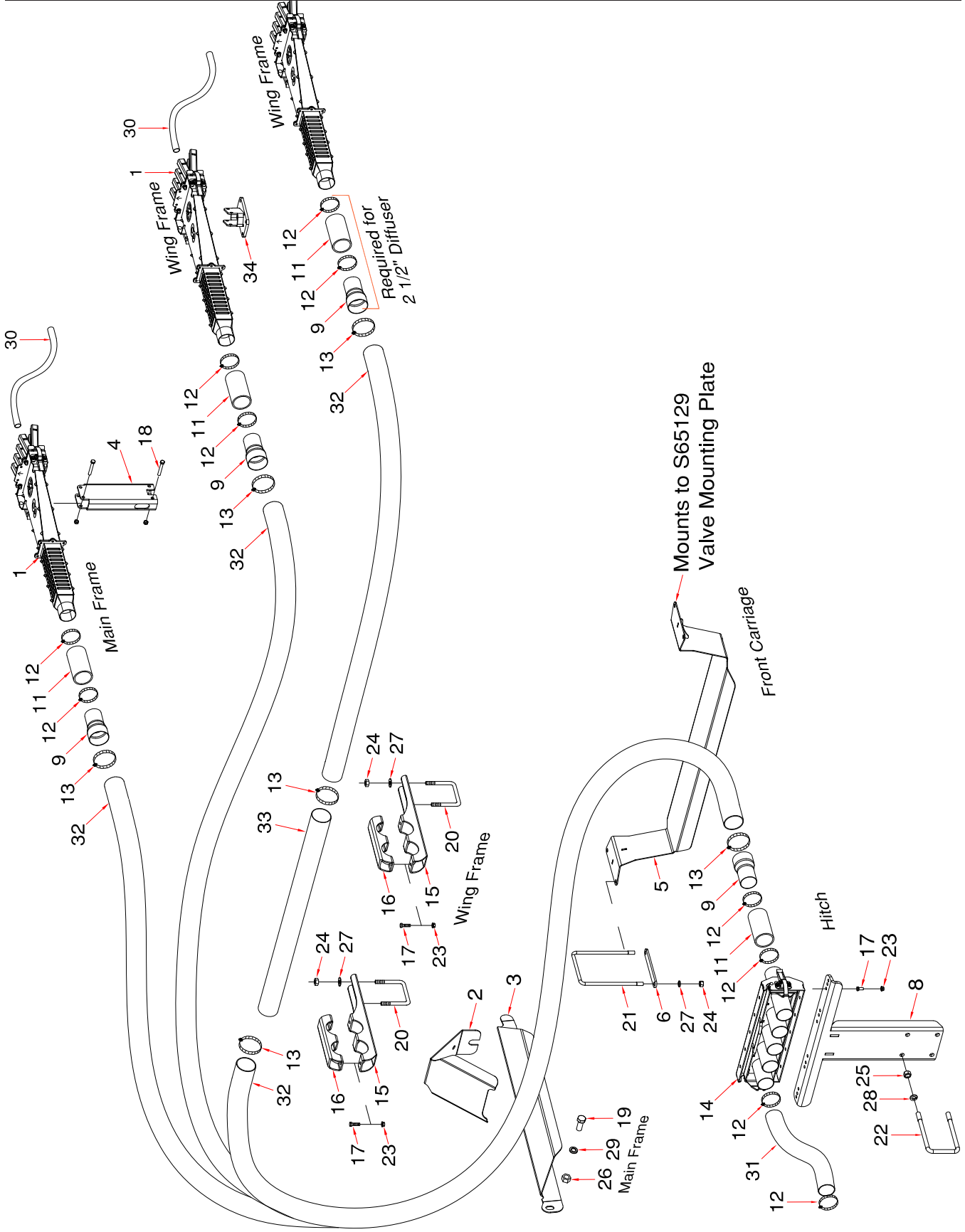
Single Shoot - Tow Behind 80 ft - 24m - 10 primaries - 10 and 12 inch (250 - 300) Spacing



Single Shoot Tow Behind - 80 ft - 24m - 10 primaries

Item	Part No.	Description	Qty
1	***** 80ft	For 10 and 12 inch - 250mm and 300mm spacing Divider Head Assembly (Refer to Divider Head Assembly for details) 10" spacing uses: 97 runs N66509 - Divider Head Assembly - 9 Outlet 3 N66510 - Divider Head Assembly - 10 Outlet..... 7	
	80ft	12" spacing uses: 82 runs N66508 - Divider Head Assembly - 8 Outlet 8 N66509 - Divider Head Assembly - 9 Outlet 2	
2	N67640	Head Mounting Bracket - Straight 2	2
3	N72832	Distribution Pipe Support 2	2
4	N66321	Distribution Pipe Clamp - Main 2	2
5	N72833	Distribution Pipe Clamp - Front Carriage 2	2
6	N72834	Clamp Plat - Main 4	4
7	*****	Quick Coupler - 5 Run (Refer to Quick Coupler Assembly for details) 2	2
8	N53203	Coupler Tower - Behind 1	1
9	N64095	Primary Hose Adapter 10	10
10	N37920	Equalizer 0	0
11	N19428	Hose - 2.54 ID x 2.79 OD x 5 Lg..... 10	10
12	N73068	Hose Clamp - T-Bolt - 2 9/16 - 2 7/8 40	40
13	N64099	Hose Clamp - 3 - SSTCH5-400 (Range 3 1/8 - 3 3/4) 40	40
14	N66339	Distribution Pipe Support Bracket - Wing 8	8
15	N66358	Distribution Pipe Spacer - 2 pipe - Wing 8	8
16	N66359	Distribution Pipe Clamp - Wing 12	12
17	W-187	Hex Bolt - 3/8 x 1 1/4 Lg..... 40	40
18	N15098	U-Bolt - 3/8 x 4 x 5 UL..... 8	8
19	N19723	U-Bolt - 3/8 x 4 1/16 x 6 15/16 UL 24	24
20	C-3932	U-Bolt - 1/2 x 4 x 7 1/4 UL..... 8	8
21	H21437	U-Bolt - 1/2 x 6 x 9 UL..... 2	2
22	C-219	U-Bolt - 5/8 x 4 x 5 9/16 UL..... 2	2
23	S27987	Locknut - 3/8 Center Lock..... 40	40
24	S47110	Lock Nut - 1/2 Center Lock 20	20
25	10229	Locknut - 3/8 Nylock 48	48
26	W-538	Flat Washer - 7/16..... 48	48
27	S-766	Flat Washer - 1/2..... 20	20
28	W-526	Lockwasher - 5/8..... 8	8
29	W-517	Nut - 5/8 8	8
30	N73085	Hose - 1 ID x 1.250 OD (100 ft roll) - 2023 to 2025 12	12
	N75771	Hose - 1 ID x 1.250 OD (100 ft roll) - BLACK (Seed) - 2026 to Present	
31	N69294	Hose - 2 1/2 ID x 100 ft roll - Black (Air Cart side of couplers) 150ft	150ft
32	N75812	Hose - 3 ID x 100 ft roll - Black 200ft	200ft
33	S72398	Primary Pipe SS - 3 x 36 Lg..... 2	2
34	N66396	Primary Pipe SS - 3 x 48 Lg..... 2	2
35	N64092	Primary Pipe SS - 3 x 72 Lg..... 4	4
36	N64094	Primary Pipe SS - 3 x 96 Lg..... 2	2
37	S72391	Mount Bracket 8	8
38	S72979	Hose Guard..... 2	2
39	M-3388	Locknut - 3/8 Unitorque..... 20	20
40	W-480	Hex Bolt - 3/8 x 2 1/2 Lg..... 20	20
41	C26701	Locknut - 1/2 Nylock 4	4

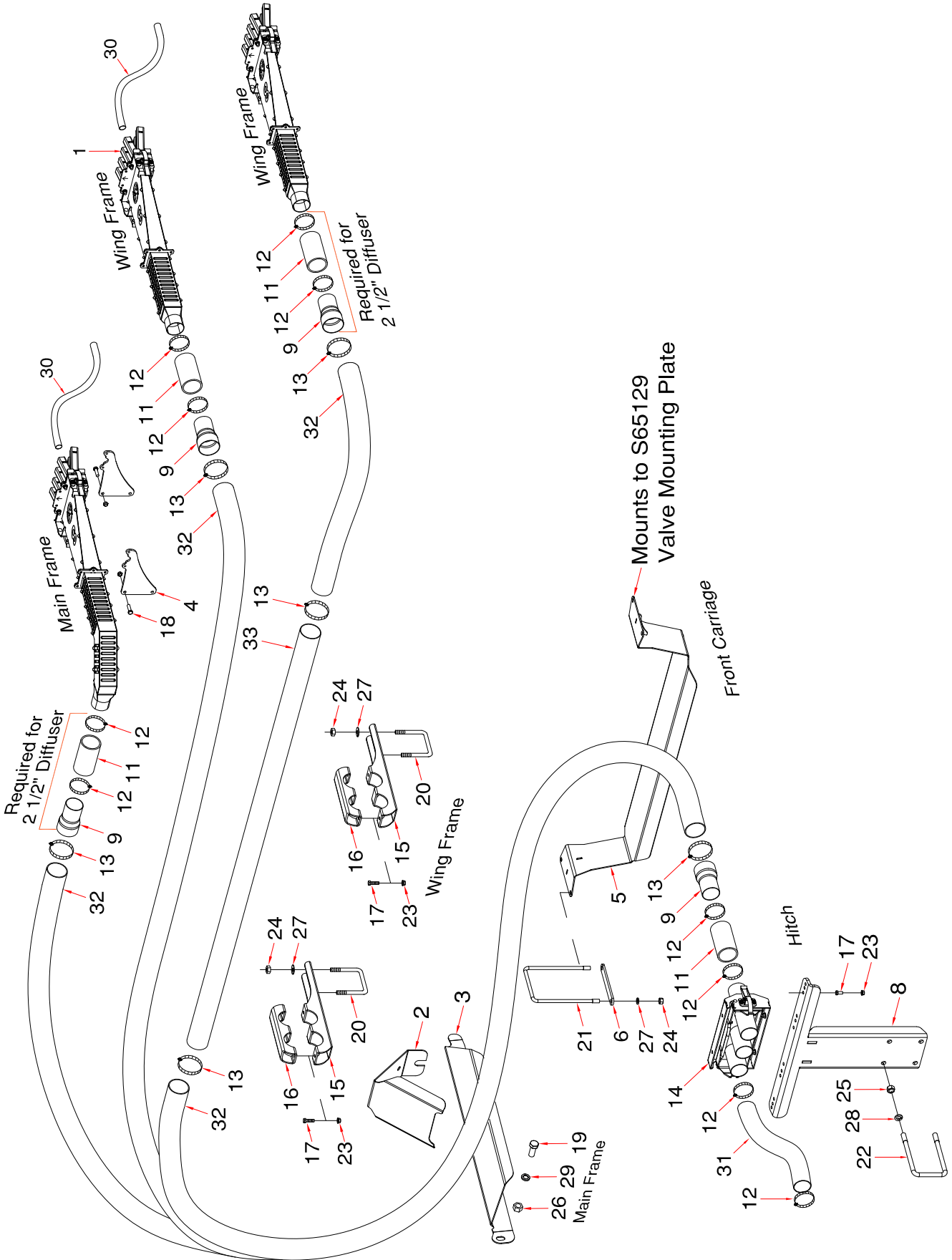
**Single Shoot - Tow Between
40 ft - 12m - 5 primaries - 12 and 15 inch (300 - 380mm) Spacing**



Single Shoot Tow Between - 40 ft - 12m - 5 primaries

Item	Part No.	Description	Qty
1	*****	For 12 and 15 inch - 300mm and 380mm spacing Divider Head Assembly (Refer to Divider Head Assembly for details) 12" spacing uses: N66508 - Divider Head Assembly - 8 Outlet 5 15" spacing uses: N66506 - Divider Head Assembly - 6 Outlet 3 N66507 - Divider Head Assembly - 7 Outlet 2	
2	S67250	Primary Hose Deflector 2	2
3	S66430	Primary Hose Hose Suport - Main - Left side (shown) 1	1
	S66435	Primary Hose Hose Suport - Main - Right side 1	1
4	S65390	Divider Head Pedestal - Main Frame 1	1
5	N67245	Primary Hose Hose Suport - Between 1	1
6	N67274	Spacer Plate 1	1
7	N67275	Kit - Primary Hose Hose Suport - Between (Includes items 5, 6, 21, 24 and 27)	
8	N51962	Coupler Tower - Between 1	1
9	N64095	Primary Hose Adapter 10	10
10	*****		
11	N19428	Hose - 2.54 ID x 2.79 OD x 5 Lg..... 10	10
12	N11905	Hose Clamp - 2 1/2 - HC5-44 (Air Cart side uses 10) 30	30
13	N64099	Hose Clamp - 3 - SSTCH5-400 14	14
14	*****	Quick Coupler - 5 Run (Refer to Quick Coupler Assembly for details) 1	1
15	N66339	Distribution Pipe Support Bracket - 2 pipe - Wing 4	4
16	N66359	Distribution Pipe Clamp - 2 pipe - Wing 4	4
17	W-187	Hex Bolt - 3/8 x 1 1/4 Lg..... 6	6
18	W-480	Hex Bolt - 3/8 x 2 1/2 Lg (Refer to Divider Head Assembly for details)	
19	BW-10	Hex Bolt - 3/4 x 1 3/4 Lg..... 2	2
20	C-3932	U-Bolt - 1/2 x 4 x 7 1/4 UL..... 4	4
21	H25628	U-Bolt - 1/2 x 6 1/16 x 9 3/8 UL..... 1	1
22	S39649	U-Bolt - 5/8 x 4 x 7 3/4 UL..... 2	2
23	S27987	Locknut - 3/8 Center Lock..... 6	6
24	W-516	Nut - 1/2 10	10
25	W-517	Nut - 5/8 4	4
26	W-518	Nut - 3/4 2	2
27	W-525	Lockwasher - 1/2..... 10	10
28	W-526	Lockwasher - 5/8..... 4	4
29	W-527	Lockwasher - 3/4..... 2	2
30	R480034	Hose - .929 ID x 1.169 OD/ft (75 ft roll) . . 12"SP-450 ft . . 15"SP-375 ft	
	N73085	Hose - 1 ID x 1.250 OD (100 ft roll) - 2023 to 2025	
	N75771	Hose - 1 ID x 1.250 OD (100 ft roll) - BLACK (Seed) - 2026 to Present	
31	N69294	Hose - 2 1/2 ID x 100 ft roll - Black (Air Cart side of couplers) 70	70
32	N75812	Hose - 3 ID x 100 ft roll - Black - (Seed)..... 100	100
33	N66396	Primary Pipe SS - 3 x 48 Lg..... 2	2
34	N67202	Head Mounting Bracket - 30 Degree - Right (shown) 1	1
34A	N67200	Head Mounting Bracket - 30 Degree - Left..... 1	1

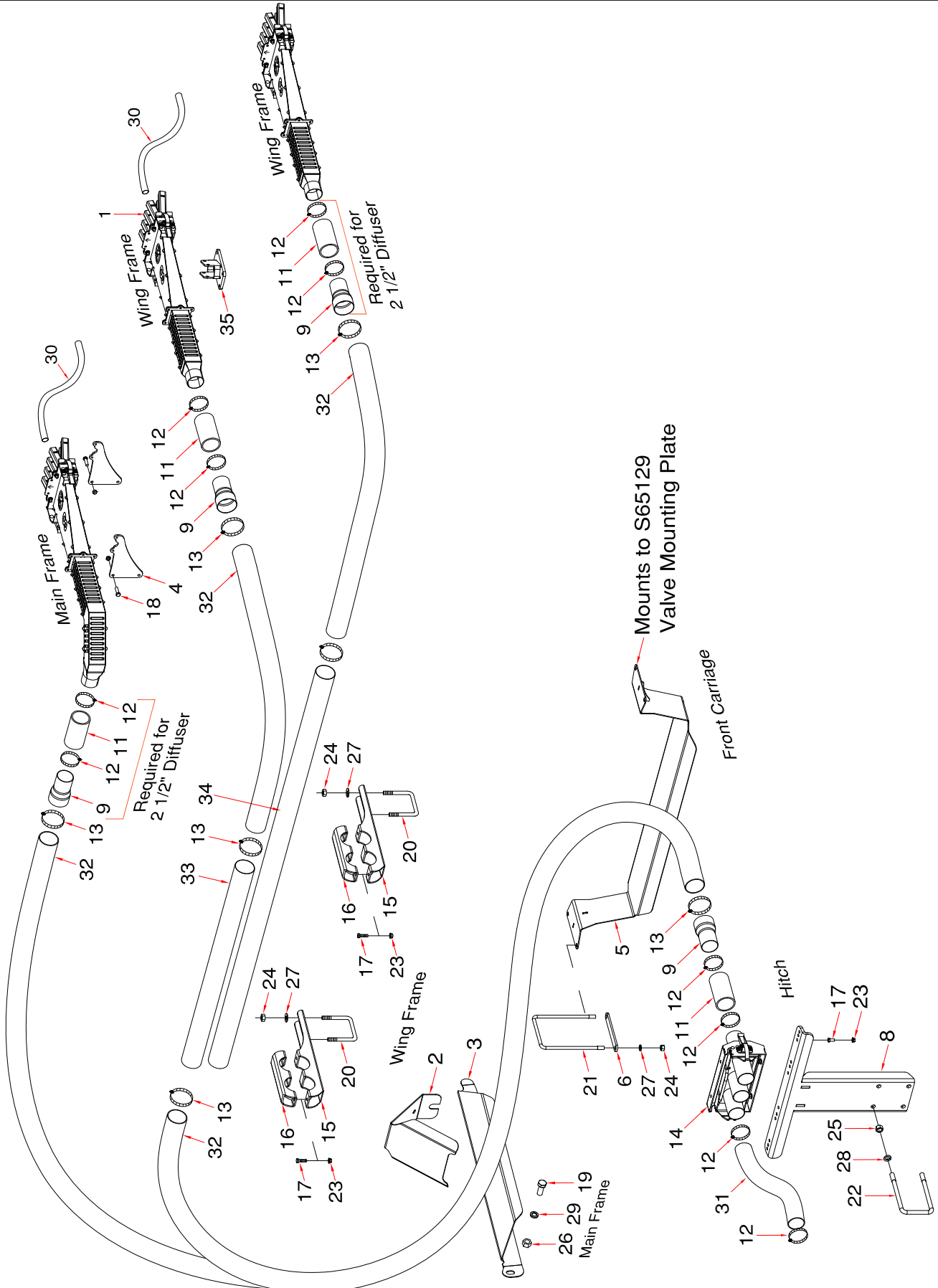
**Single Shoot - Tow Between
40 ft - 12m - 6 primaries - 10 inch (250mm) Spacing**



Single Shoot Tow Between - 40 ft - 12m - 6 primaries

Item	Part No.	Description	Qty
1	*****	For 10 inch - 250mm spacing Divider Head Assembly (Refer to Divider Head Assembly for details) 10" spacing: N66508 - Divider Head Assembly - 8 Outlet	6
2	S67250	Primary Hose Deflector	2
3	S66430	Primary Hose Hose Suport - Main - Left side (shown)	1
	S66435	Primary Hose Hose Suport - Main - Right side	1
4	S65382	Head Mounting Plate - Main	4
5	N67245	Primary Hose Hose Suport - Between	1
6	N67274	Spacer Plate	1
7	N67275	Kit - Primary Hose Hose Suport - Between (Includes items 5, 6, 21, 24 and 27)	
8	N51962	Coupler Tower - Between	1
9	N64095	Primary Hose Adapter	12
10	*****		
11	N19428	Hose - 2.54 ID x 2.79 OD x 5 Lg.....	12
12	N11905	Hose Clamp - 2 1/2 - HC5-44 (Air Cart side uses 12).....	36
13	N64099	Hose Clamp - 3 - SSTCH5-400	16
14	*****	Quick Coupler - 3 Run (Refer to Quick Coupler Assembly for details).....	2
15	N66339	Distribution Pipe Support Bracket - 2 pipe - Wing	4
16	N66359	Distribution Pipe Clamp - 2 pipe - Wing	4
17	W-187	Hex Bolt - 3/8 x 1 1/4 Lg.....	12
18	W-187	Hex Bolt - 3/8 x 1 1/4 Lg (Refer to Divider Head Assembly for details).....	8
19	BW-10	Hex Bolt - 3/4 x 1 3/4 Lg.....	2
20	C-3932	U-Bolt - 1/2 x 4 x 7 1/4 UL.....	4
21	H25628	U-Bolt - 1/2 x 6 1/16 x 9 3/8 UL.....	1
22	S39649	U-Bolt - 5/8 x 4 x 7 3/4 UL.....	2
23	S27987	Locknut - 3/8 Center Lock.....	12
24	W-516	Nut - 1/2	10
25	W-517	Nut - 5/8	4
26	W-518	Nut - 3/4	2
27	W-525	Lockwasher - 1/2.....	10
28	W-526	Lockwasher - 5/8.....	4
29	W-527	Lockwasher - 3/4.....	2
30	R480034	Hose - .929 ID x 1.169 OD/ft (75 ft roll) . . 10"SP-600 ft	600
	N73085	Hose - 1 ID x 1.250 OD (100 ft roll) - 2023 to 2025	
	N75771	Hose - 1 ID x 1.250 OD (100 ft roll) - BLACK (Seed) - 2026 to Present	
31	N69294	Hose - 2 1/2 ID x 100 ft roll - Black (Air Cart side of couplers)	84
32	N75812	Hose - 3 ID x 100 ft roll - Black - (Seed).....	125
33	N64094	Primary Pipe SS - 3 x 96 Lg.....	2

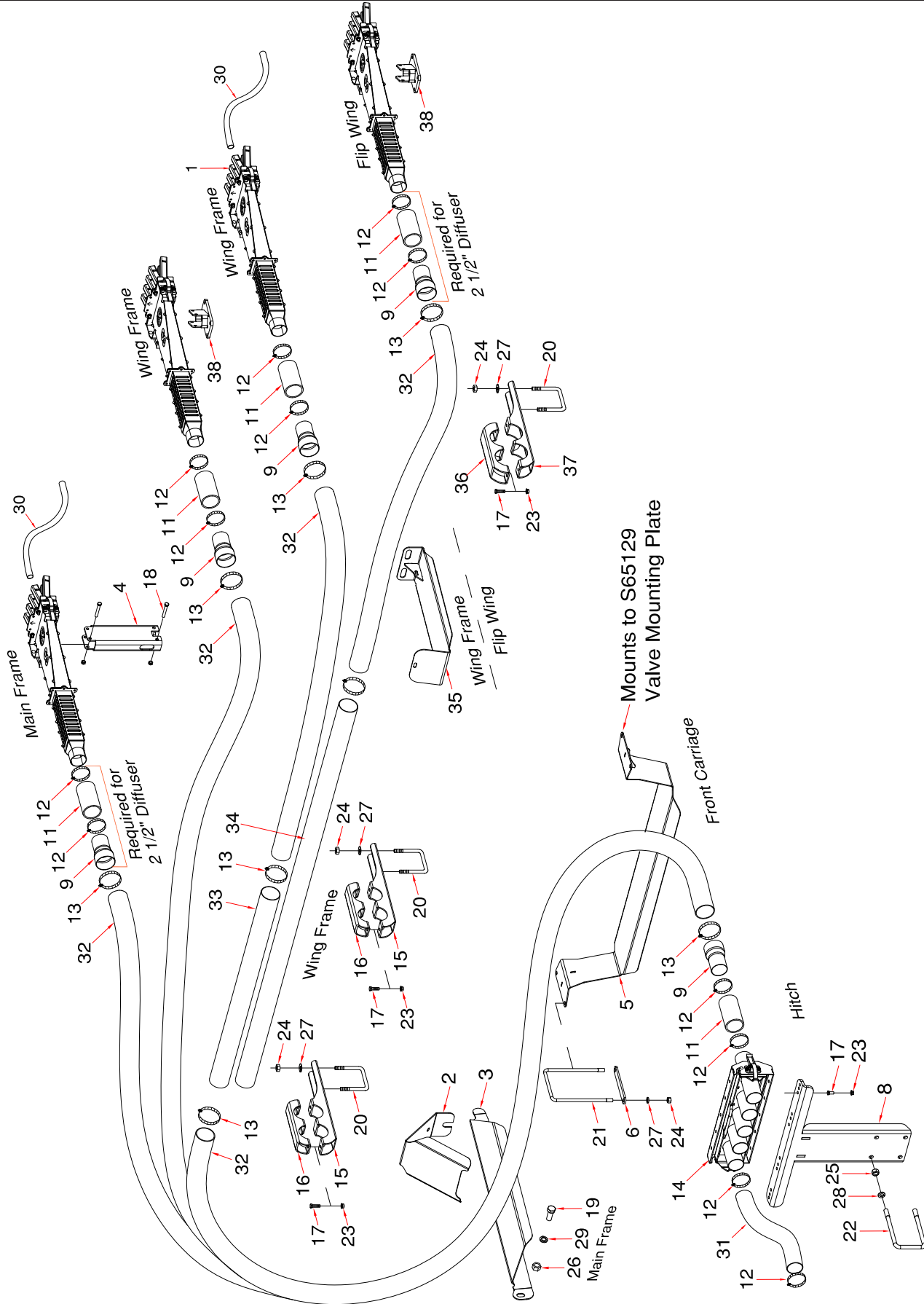
**Single Shoot - Tow Between
50 ft - 15m - 6 primaries - 15 inch (380mm) Spacing**



Single Shoot Tow Between - 50 ft - 15m - 6 primaries

Item	Part No.	Description	Qty
1	*****	For 15 inch - 380mm spacing Divider Head Assembly (Refer to Divider Head Assembly for details) 15" spacing uses: N66506 - Divider Head Assembly - 6 Outlet N66507 - Divider Head Assembly - 7 Outlet	2 4
2	S67250	Primary Hose Deflector	2
3	S66430	Primary Hose Hose Suport - Main - Left side (shown)	1
	S66435	Primary Hose Hose Suport - Main - Right side	1
4	S65382	Head Mounting Plate - Main	4
5	N67245	Primary Hose Hose Suport - Between	1
6	N67274	Spacer Plate	1
7	N67275	Kit - Primary Hose Hose Suport - Between (Includes items 5, 6, 21, 24 and 27)	
8	N51962	Coupler Tower - Between	1
9	N64095	Primary Hose Adapter	12
10	*****		
11	N19428	Hose - 2.54 ID x 2.79 OD x 5 Lg.....	12
12	N11905	Hose Clamp - 2 1/2 - HC5-44 (Air Cart side uses 12).....	36
13	N64099	Hose Clamp - 3 - SSTCH5-400	20
14	*****	Quick Coupler - 3 Run (Refer to Quick Coupler Assembly for details).....	2
15	N66339	Distribution Pipe Support Bracket - 2 pipe - Wing	4
16	N66359	Distribution Pipe Clamp - 2 pipe - Wing	4
17	W-187	Hex Bolt - 3/8 x 1 1/4 Lg.....	12
18	W-187	Hex Bolt - 3/8 x 1 1/4 Lg (Refer to Divider Head Assembly for details).....	8
19	BW-10	Hex Bolt - 3/4 x 1 3/4 Lg.....	2
20	C-3932	U-Bolt - 1/2 x 4 x 7 1/4 UL.....	4
21	H25628	U-Bolt - 1/2 x 6 1/16 x 9 3/8 UL.....	1
22	S39649	U-Bolt - 5/8 x 4 x 7 3/4 UL.....	2
23	S27987	Locknut - 3/8 Center Lock.....	12
24	W-516	Nut - 1/2	10
25	W-517	Nut - 5/8	4
26	W-518	Nut - 3/4	2
27	W-525	Lockwasher - 1/2.....	10
28	W-526	Lockwasher - 5/8.....	4
29	W-527	Lockwasher - 3/4.....	2
30	R480034	Hose - .929 ID x 1.169 OD/ft (75 ft roll)	450
	N73085	Hose - 1 ID x 1.250 OD (100 ft roll) - 2023 to 2025	
	N75771	Hose - 1 ID x 1.250 OD (100 ft roll) - BLACK (Seed) - 2026 to Present	
31	N69294	Hose - 2 1/2 ID x 100 ft roll - Black (Air Cart side of couplers)	84
32	N75812	Hose - 3 ID x 100 ft roll - Black - (Seed).....	125
33	N66396	Primary Pipe SS - 3 x 48 Lg.....	2
34	N64094	Primary Pipe SS - 3 x 96 Lg.....	2
35	N67202	Head Mounting Bracket - 30 Degree - Right (shown)	1
35A	N67200	Head Mounting Bracket - 30 Degree - Left.....	1

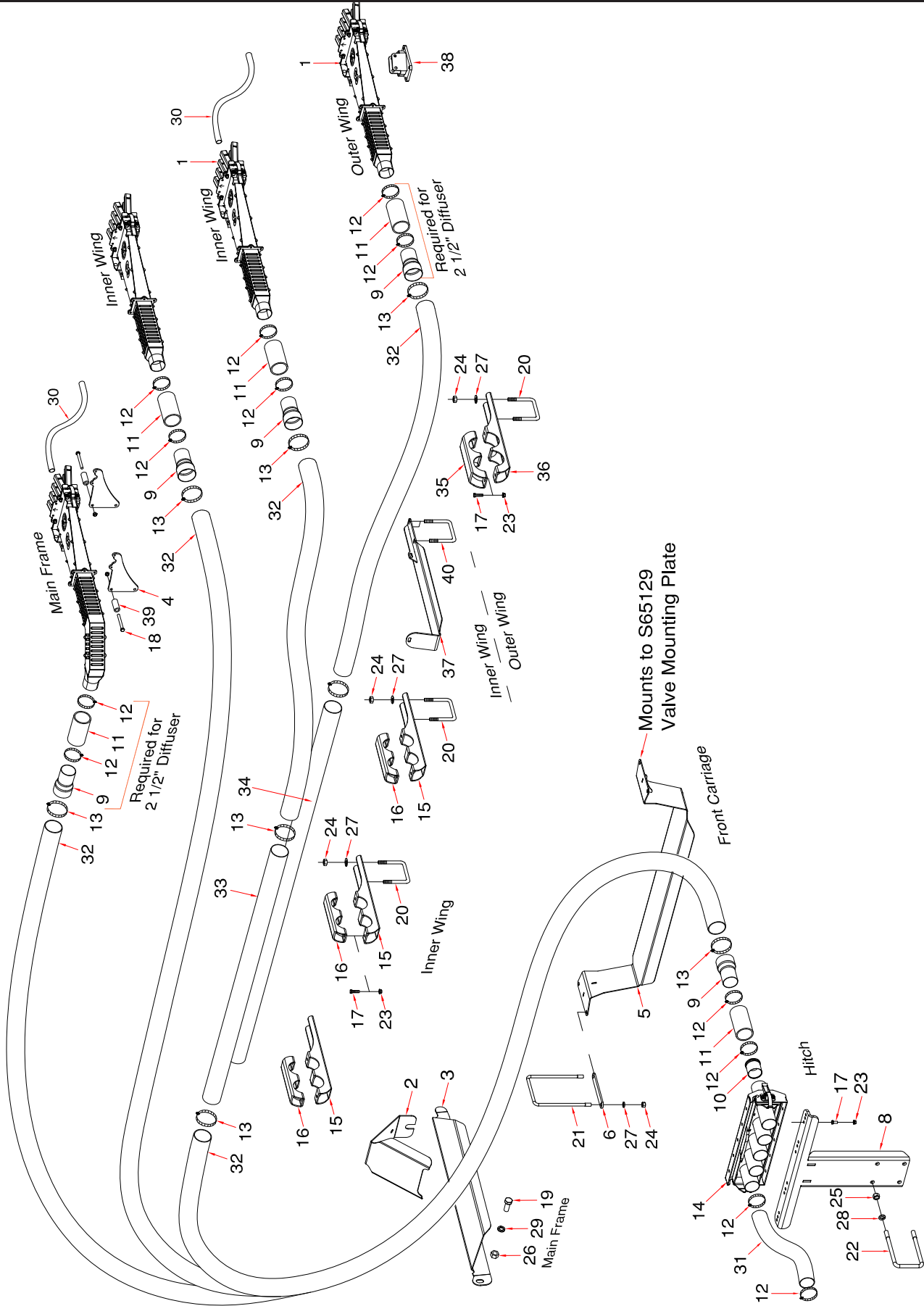
**Single Shoot - Tow Between
50 ft - 15m - 7 primaries - 10 and 12 inch (250 - 300mm) Spacing**



Single Shoot Tow Between - 50 ft - 15m - 7 primaries

Item	Part No.	Description	Qty
1	*****	For 10 and 12 inch - 250mm and 300mm spacing Divider Head Assembly (Refer to Divider Head Assembly for details) 10" spacing uses: N66508 - Divider Head Assembly - 8 Outlet N66509 - Divider Head Assembly - 9 Outlet	3 4
		12" spacing uses: N66507 - Divider Head Assembly - 7 Outlet N66508 - Divider Head Assembly - 8 Outlet	6 1
2	S67250	Primary Hose Deflector	2
3	S66430	Primary Hose Hose Suport - Main - Left side (shown)	1
	S66435	Primary Hose Hose Suport - Main - Right side	1
4	S65390	Divider Head Pedestal - Main Frame	1
5	N67245	Primary Hose Hose Suport - Between	1
6	N67274	Spacer Plate	1
7	N67275	Kit - Primary Hose Hose Suport - Between (Includes items 5, 6, 21, 24 and 27)	
8	N51962	Coupler Tower - Between	1
9	N64095	Primary Hose Adapter	14
10	*****		
11	N19428	Hose - 2.54 ID x 2.79 OD x 5 Lg.....	14
12	N11905	Hose Clamp - 2 1/2 - HC5-44 (Air Cart side uses 14).....	42
13	N64099	Hose Clamp - 3 - SSTCH5-400	22
14	*****	Quick Coupler - 5 Run (Refer to Quick Coupler Assembly for details).....	2
15	N66339	Distribution Pipe Support Bracket - 2 pipe - Wing	4
16	N66359	Distribution Pipe Clamp - 2 pipe - Wing	4
17	W-187	Hex Bolt - 3/8 x 1 1/4 Lg.....	16
18	W-480	Hex Bolt - 3/8 x 2 1/2 Lg (Refer to Divider Head Assembly for details).....	2
19	BW-10	Hex Bolt - 3/4 x 1 3/4 Lg.....	2
20	C-3932	U-Bolt - 1/2 x 4 x 7 1/4 UL.....	6
21	H25628	U-Bolt - 1/2 x 6 1/16 x 9 3/8 UL.....	1
22	S39649	U-Bolt - 5/8 x 4 x 7 3/4 UL.....	2
23	S27987	Locknut - 3/8 Center Lock.....	16
24	W-516	Nut - 1/2	14
25	W-517	Nut - 5/8	4
26	W-518	Nut - 3/4	2
27	W-525	Lockwasher - 1/2.....	14
28	W-526	Lockwasher - 5/8.....	4
29	W-527	Lockwasher - 3/4.....	2
30	R480034	Hose - .929 ID x 1.169 OD/ft (75 ft roll) 10"SP-675 ft . . 12"SP-600 ft . .	
	N73085	Hose - 1 ID x 1.250 OD (100 ft roll) - 2023 to 2025	
	N75771	Hose - 1 ID x 1.250 OD (100 ft roll) - BLACK (Seed) - 2026 to Present	
31	N69294	Hose - 2 1/2 ID x 100 ft roll - Black (Air Cart side of couplers)	100
32	N75812	Hose - 3 ID x 100 ft roll - Black - (Seed).....	150
33	N66396	Primary Pipe SS - 3 x 48 Lg.....	2
34	N64094	Primary Pipe SS - 3 x 96 Lg.....	2
35	N67295	Primary Hose Guide Plate - Wing	2
36	N66374	Distribution Hose Clamp - Wing - 3 5/8 Dia	2
37	N66375	Distribution Hose Support Bracket - Wing - 3 5/8 Dia	2
38	N67202	Head Mounting Bracket - 30 Degree - Right (shown)	2
38A	N67200	Head Mounting Bracket - 30 Degree - Left.....	2

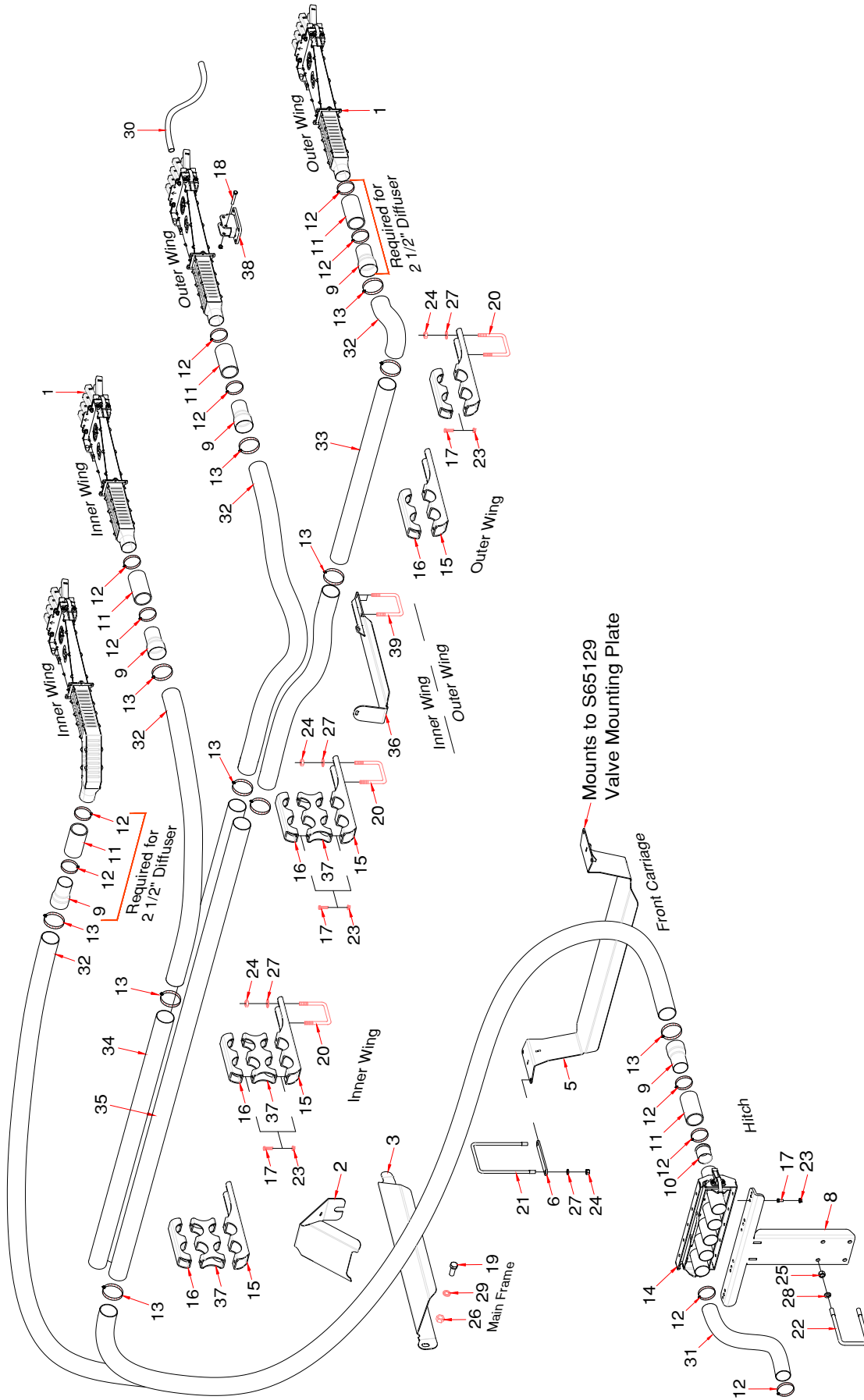
Single Shoot - Tow Between 60 ft - 18m - 8 primaries - 10, 12 and 15 inch (250 - 300 - 380mm) Spacing



Single Shoot Tow Between - 60 ft - 18m - 8 primaries

Item	Part No.	Description	Qty
1	*****	For 10, 12 and 15 inch - 250mm, 300mm and 380mm spacing Divider Head Assembly (Refer to Divider Head Assembly for details) 10" spacing: N66509 - Divider Head Assembly - 9 Outlet 8 12" spacing uses: N66507 - Divider Head Assembly - 7 Outlet 4 N66508 - Divider Head Assembly - 8 Outlet 4 15" spacing uses: N66506 - Divider Head Assembly - 6 Outlet 8	
2	S67250	Primary Hose Deflector 2	2
3	S66430	Primary Hose Hose Suport - Main - Left side (shown) 1	1
	S66435	Primary Hose Hose Suport - Main - Right side 1	1
4	S65382	Head Mounting Plate - Main 4	4
5	N67245	Primary Hose Hose Suport - Between 1	1
6	N67274	Spacer Plate 1	1
7	N67275	Kit - Primary Hose Hose Suport - Between (Includes items 5, 6, 21, 24 and 27)	
8	N51962	Coupler Tower - Between 1	1
9	N64095	Primary Hose Adapter 16	16
10	N37920	Equalizer 0	0
11	N19428	Hose - 2.54 ID x 2.79 OD x 5 Lg..... 16	16
12	N11905	Hose Clamp - 2 1/2 - HC5-44 (Air Cart side uses 16) 48	48
13	N64099	Hose Clamp - 3 - SSTCH5-400 24	24
14	*****	Quick Coupler - 5 Run (Refer to Quick Coupler Assembly for details) 2	2
15	N66339	Distribution Pipe Support Bracket - 2 pipe - Wing - Wing 6	6
16	N66359	Distribution Pipe Clamp - 2 pipe - Wing - Wing 6	6
17	W-187	Hex Bolt - 3/8 x 1 1/4 Lg..... 20	20
18	S-1299	Hex Bolt - 3/8 x 4 1/2 Lg (Refer to Divider Head Assembly for details) 8	8
19	BW-10	Hex Bolt - 3/4 x 1 3/4 Lg..... 2	2
20	C-3932	U-Bolt - 1/2 x 4 x 7 1/4 UL..... 8	8
21	H25628	U-Bolt - 1/2 x 6 1/16 x 9 3/8 UL..... 1	1
22	S39649	U-Bolt - 5/8 x 4 x 7 3/4 UL..... 2	2
23	S27987	Locknut - 3/8 Center Lock..... 20	20
24	W-516	Nut - 1/2 18	18
25	W-517	Nut - 5/8 4	4
26	W-518	Nut - 3/4 2	2
27	W-525	Lockwasher - 1/2..... 18	18
28	W-526	Lockwasher - 5/8..... 4	4
29	W-527	Lockwasher - 3/4..... 2	2
30	R480034	Hose - .929 ID x 1.169 OD/ft (75 ft roll) 10"SP-825 ft . . 12"SP-675 ft . . 15"SP-600 ft.....	
	N73085	Hose - 1 ID x 1.250 OD (100 ft roll) - 2023 to 2025	
	N75771	Hose - 1 ID x 1.250 OD (100 ft roll) - BLACK (Seed) - 2026 to Present	
31	N69294	Hose - 2 1/2 ID x 100 ft roll - Black (Air Cart side of couplers) 125	125
32	N75812	Hose - 3 ID x 100 ft roll - Black - (Seed)..... 175	175
33	N64092	Primary Pipe SS - 3 x 72 Lg..... 2	2
34	N64094	Primary Pipe SS - 3 x 96 Lg..... 2	2
35	N66374	Distribution Hose Clamp - Wing - 3 5/8 Dia 2	2
36	N66375	Distribution Hose Support Bracket - Wing - 3 5/8 Dia 2	2
37	N66395	Primary Hose Guide Plate - Wing 2	2
38	N67200	Head Mounting Bracket - 30 Degree - Left (shown) 1	1
38A	N67202	Head Mounting Bracket - 30 Degree - Right 1	1
39	N50842	Bushings - .385 ID x 5/8 OD x 3 1/4 Lg 8	8
40	N19723	U-Bolt - 3/8 x 4 1/16 x 6 15/16 UL 8	8

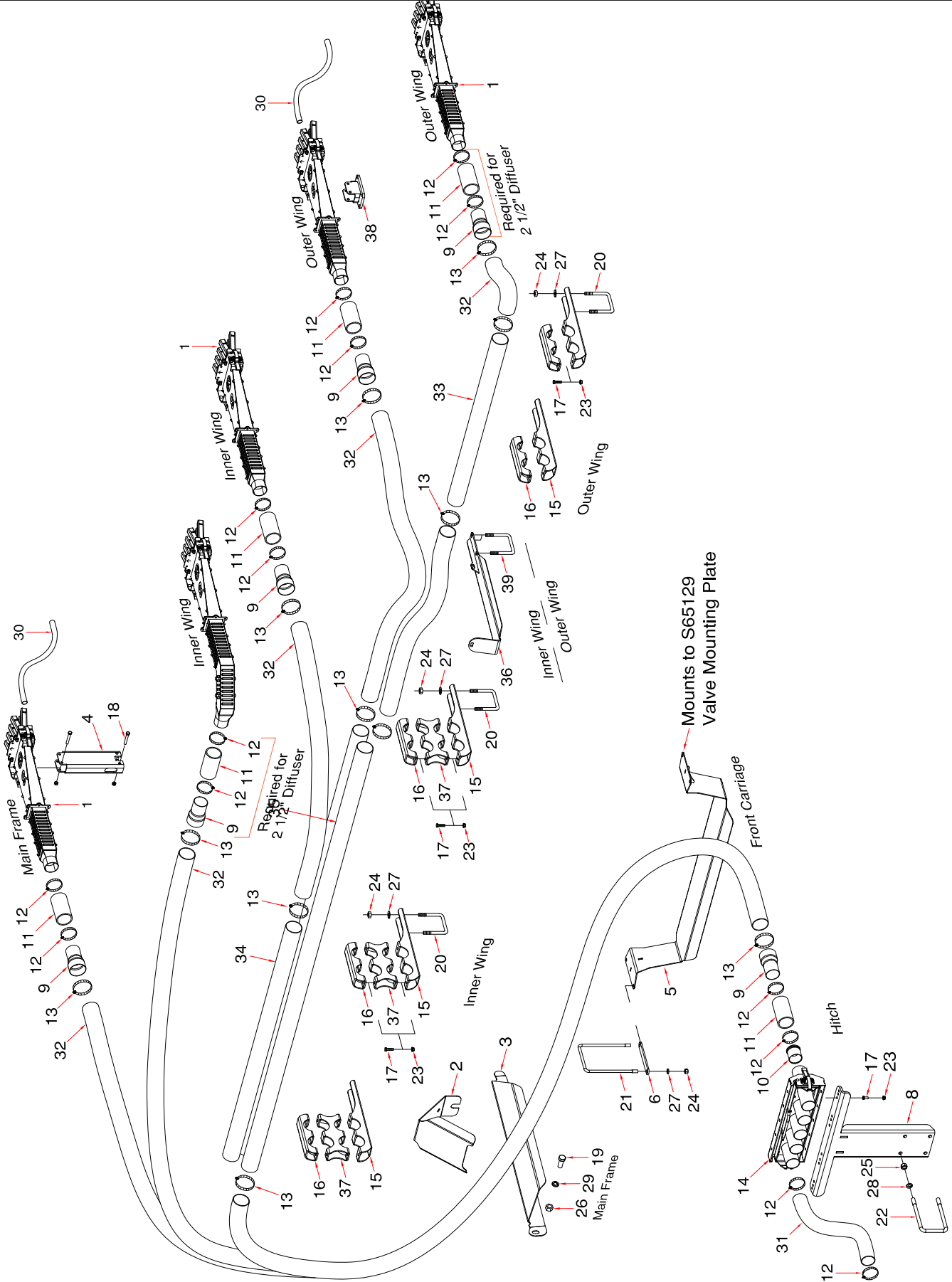
Single Shoot - Tow Between 70 ft - 21m - 8 primaries - 10, 12 and 15 inch (250 - 300 - 380mm) Spacing



Single Shoot Tow Between - 70 ft - 21m - 8 primaries

Item	Part No.	Description	Qty
1	*****	For 10, 12 and 15 inch - 250mm, 300mm and 380mm spacing	
1	*****	Divider Head Assembly (Refer to Divider Head Assembly for details)	
		Divider Head Assembly (Refer to Divider Head Assembly for details)	
		10" spacing uses:	
		N66510 - Divider Head Assembly - 10 Outlet.....	4
		***** - Divider Head Assembly - 11 Outlet	4
		12" spacing uses:	
		N66508 - Divider Head Assembly - 8 Outlet	2
		N66509 - Divider Head Assembly - 9 Outlet	6
		15" spacing uses:	
		N66507 - Divider Head Assembly - 7 Outlet	8
2	S67250	Primary Hose Deflector	2
3	S66430	Primary Hose Hose Suport - Main - Left side (shown)	1
	S66435	Primary Hose Hose Suport - Main - Right side	1
4	*****		
5	N67245	Primary Hose Hose Suport - Between	1
6	N67274	Spacer Plate	1
7	N67275	Kit - Primary Hose Hose Suport - Between (Includes items 5, 6, 21, 24 and 27)	
8	N51962	Coupler Tower - Between	1
9	N64095	Primary Hose Adapter	16
10	N37920	Equalizer	0
11	N19428	Hose - 2.54 ID x 2.79 OD x 5 Lg.....	16
12	N11905	Hose Clamp - 2 1/2 - HC5-44 (Air Cart side uses 18).....	50
13	N64099	Hose Clamp - 3 - SSTCH5-400	32
14	*****	Quick Coupler - 5 Run (Refer to Quick Coupler Assembly for details)	2
15	N66339	Distribution Pipe Support Bracket - Wing	10
16	N66359	Distribution Pipe Clamp - Wing	10
17	W-187	Hex Bolt - 3/8 x 1 1/4 Lg.....	36
18	W-480	Hex Bolt - 3/8 x 2 1/2 Lg (Refer to Divider Head Assembly for details)	2
19	BW-10	Hex Bolt - 3/4 x 1 3/4 Lg.....	2
20	C-3932	U-Bolt - 1/2 x 4 x 7 1/4 UL.....	10
21	H25628	U-Bolt - 1/2 x 6 1/16 x 9 3/8 UL.....	1
22	S39649	U-Bolt - 5/8 x 4 x 7 3/4 UL.....	2
23	S27987	Locknut - 3/8 Center Lock.....	36
24	W-516	Hex Nut - 1/2.....	22
25	W-517	Hex Nut - 5/8.....	4
26	W-518	Hex Nut - 3/4.....	2
27	W-525	Lockwasher - 1/2.....	22
28	W-526	Lockwasher - 5/8.....	4
29	W-527	Lockwasher - 3/4.....	2
30	R480034	Hose - .929 ID x 1.169 OD/ft (75 ft roll) 10"SP-975 ft . . 12"SP-825 ft . . 15"SP-675 ft	
	N73085	Hose - 1 ID x 1.250 OD (100 ft roll) - 2023 to 2025	
	N75771	Hose - 1 ID x 1.250 OD (100 ft roll) - BLACK (Seed) - 2026 to Present	
31	N69294	Hose - 2 1/2 ID x 100 ft roll - Black (Air Cart side of couplers)	125
32	N75812	Hose - 3 ID x 100 ft roll - Black - (Seed).....	200
33	N66396	Primary Pipe SS - 3 x 48 Lg.....	2
34	N64092	Primary Pipe SS - 3 x 72 Lg.....	2
35	N64096	Primary Pipe SS - 3 x 120 Lg.....	4
36	N66395	Primary Hose Guide Plate.....	2
37	N66358	Distribution Pipe Spacer - 2 pipe - Wing	6
38	N67640	Head Mounting Bracket - Straight	2
39	N19723	U-Bolt - 3/8 x 4 1/16 x 6 15/16 UL	8

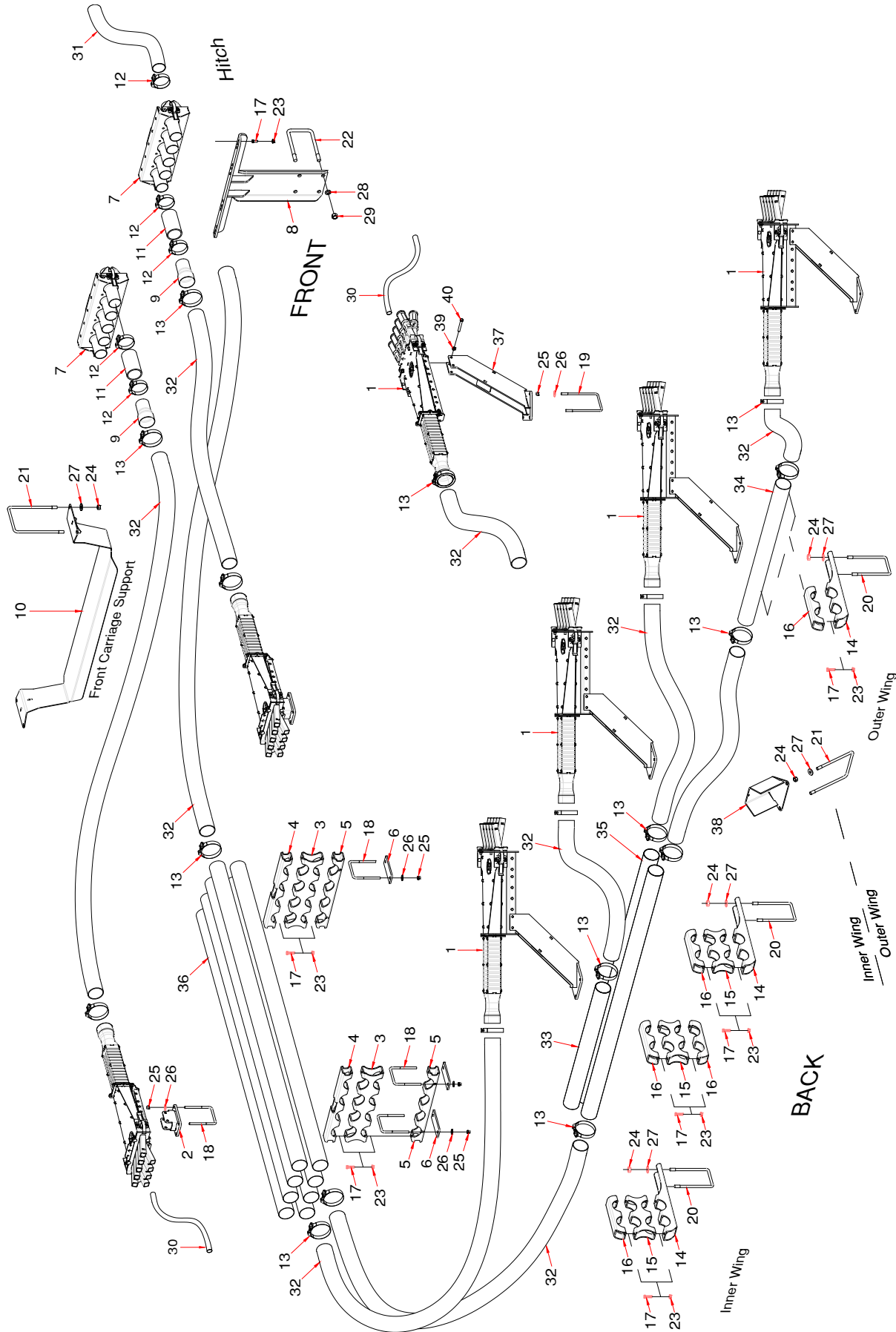
Single Shoot - Tow Between
70 ft - 21m - 9 primaries - 10, 12 and 15 inch (250 - 300 - 380mm) Spacing



Single Shoot Tow Between - 70 ft - 21m - 9 primaries

Item	Part No.	Description	Qty
1	*****	For 10, 12 and 15 inch - 250mm, 300mm and 380mm spacing Divider Head Assembly (Refer to Divider Head Assembly for details) 10" spacing uses: N66509 - Divider Head Assembly - 9 Outlet 6 N66510 - Divider Head Assembly - 10 Outlet..... 3 12" spacing uses: N66507 - Divider Head Assembly - 7 Outlet 2 N66508 - Divider Head Assembly - 8 Outlet 7 15" spacing uses: N66506 - Divider Head Assembly - 6 Outlet 7 N66507 - Divider Head Assembly - 7 Outlet 2	
2	S67250	Primary Hose Deflector 2	2
3	S66430	Primary Hose Hose Suport - Main - Left side (shown) 1	1
	S66435	Primary Hose Hose Suport - Main - Right side 1	1
4	S65390	Divider Head Pedestal - Main Frame 1	1
5	N67245	Primary Hose Hose Suport - Between 1	1
6	N67274	Spacer Plate 1	1
7	N67275	Kit - Primary Hose Hose Suport - Between (Includes items 5, 6, 21, 24 and 27)	
8	N51962	Coupler Tower - Between 1	1
9	N64095	Primary Hose Adapter 18	18
10	N37920	Equalizer 0	0
11	N19428	Hose - 2.54 ID x 2.79 OD x 5 Lg..... 18	18
12	N11905	Hose Clamp - 2 1/2 - HC5-44 (Air Cart side uses 18)..... 54	54
13	N64099	Hose Clamp - 3 - SSTCH5-400 (Range 3 1/8 - 3 3/4) 34	34
14	*****	Quick Coupler - 5 Run (Refer to Quick Coupler Assembly for details)..... 2	2
15	N66339	Distribution Pipe Support Bracket - Wing 10	10
16	N66359	Distribution Pipe Clamp - Wing 10	10
17	W-187	Hex Bolt - 3/8 x 1 1/4 Lg..... 36	36
18	W-480	Hex Bolt - 3/8 x 2 1/2 Lg (Refer to Divider Head Assembly for details)..... 2	2
19	BW-10	Hex Bolt - 3/4 x 1 3/4 Lg..... 2	2
20	C-3932	U-Bolt - 1/2 x 4 x 7 1/4 UL..... 10	10
21	H25628	U-Bolt - 1/2 x 6 1/16 x 9 3/8 UL..... 1	1
22	S39649	U-Bolt - 5/8 x 4 x 7 3/4 UL..... 2	2
23	S27987	Locknut - 3/8 Center Lock..... 36	36
24	W-516	Hex Nut - 1/2..... 22	22
25	W-517	Hex Nut - 5/8..... 4	4
26	W-518	Hex Nut - 3/4..... 2	2
27	W-525	Lockwasher - 1/2..... 22	22
28	W-526	Lockwasher - 5/8..... 4	4
29	W-527	Lockwasher - 3/4..... 2	2
30	R480034	Hose - .929 ID x 1.169 OD/ft (75 ft roll) 10"SP-975 ft . . 12"SP-825 ft . . 15"SP-675 ft	
	N73085	Hose - 1 ID x 1.250 OD (100 ft roll) - 2023 to 2025	
	N75771	Hose - 1 ID x 1.250 OD (100 ft roll) - BLACK (Seed) - 2026 to Present	
31	N69294	Hose - 2 1/2 ID x 100 ft roll - Black (Air Cart side of couplers) 125	125
32	N75812	Hose - 3 ID x 100 ft roll - Black - (Seed)..... 200	200
33	N66396	Primary Pipe SS - 3 x 48 Lg..... 2	2
34	N64092	Primary Pipe SS - 3 x 72 Lg..... 2	2
35	N64096	Primary Pipe SS - 3 x 120 Lg..... 4	4
36	N66395	Primary Hose Guide Plate..... 2	2
37	N66358	Distribution Pipe Spacer - 2 pipe - Wing 6	6
38	N67640	Head Mounting Bracket - Straight 2	2
39	N19723	U-Bolt - 3/8 x 4 1/16 x 6 15/16 UL..... 8	8

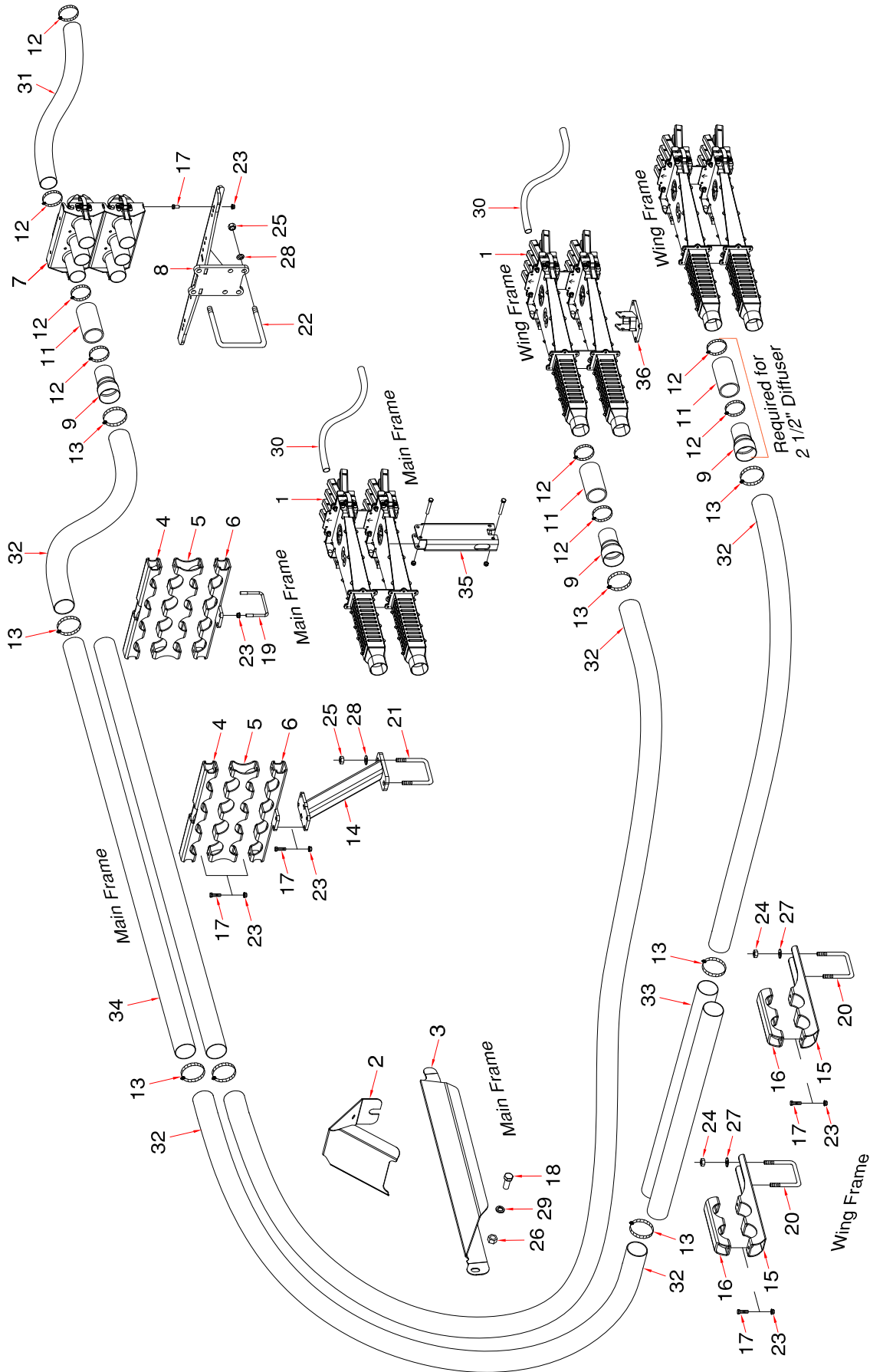
Single Shoot - Tow Between 80 ft - 24m - 10 primaries - 10 and 12 inch (250 - 300) Spacing



Single Shoot - Tow Between - 80 ft - 24m - 10 primaries

Item	Part No.	Description	Qty
1	***** 80ft	For 10 and 12 inch - 250mm and 300mm spacing Divider Head Assembly (Refer to Divider Head Assembly for details) 10" spacing uses: 97 runs N66509 - Divider Head Assembly - 9 Outlet 3 N66510 - Divider Head Assembly - 10 Outlet..... 7	
	80ft	12" spacing uses: 82 runs N66508 - Divider Head Assembly - 8 Outlet 8 N66509 - Divider Head Assembly - 9 Outlet 2	
2	N67640	Head Mounting Bracket - Straight 2	2
3	N66322	Distribution Pipe Spacer - Main 2	2
4	N66321	Distribution Pipe Clamp - Main 2	2
5	N72833	Distribution Pipe Clamp - Front Carriage 2	2
6	N72834	Clamp Plat - Main 4	4
7	*****	Quick Coupler - 5 Run (Refer to Quick Coupler Assembly for details)..... 2	2
8	N51962	Coupler Tower - Between 1	1
9	N64095	Primary Hose Adapter 10	10
10	N67245	Primary Hose Hose Suport - Between 1	1
11	N19428	Hose - 2.54 ID x 2.79 OD x 5 Lg..... 10	10
12	N73068	Hose Clamp - T-Bolt - 2 9/16 - 2 7/8 40	40
13	N64099	Hose Clamp - 3 - SSTCH5-400 (Range 3 1/8 - 3 3/4) 48	48
14	N66339	Distribution Pipe Support Bracket - Wing 8	8
15	N66358	Distribution Pipe Spacer - 2 pipe - Wing 8	8
16	N66359	Distribution Pipe Clamp - Wing 12	12
17	W-187	Hex Bolt - 3/8 x 1 1/4 Lg..... 44	44
18	N15098	U-Bolt - 3/8 x 4 x 5 UL..... 8	8
19	N19723	U-Bolt - 3/8 x 4 1/16 x 6 15/16 UL 16	16
20	C-3932	U-Bolt - 1/2 x 4 x 7 1/4 UL..... 8	8
21	H21437	U-Bolt - 1/2 x 6 x 9 UL..... 2	2
22	F-4642	U-Bolt - 5/8 x 6 x 5 1/2 UL..... 2	2
23	S27987	Locknut - 3/8 Center Lock..... 44	44
24	S47110	Lock Nut - 1/2 Center Lock 20	20
25	10229	Locknut - 3/8 Nylock 48	48
26	W-538	Flat Washer - 7/16..... 48	48
27	S-766	Flat Washer - 1/2..... 20	20
28	W-526	Lockwasher - 5/8..... 8	8
29	W-517	Nut - 5/8 8	8
30	N73085	Hose - 1 ID x 1.250 OD (100 ft roll) - 2023 to 2025 12	12
	N75771	Hose - 1 ID x 1.250 OD (100 ft roll) - BLACK (Seed) - 2026 to Present	
31	N69294	Hose - 2 1/2 ID x 100 ft roll - Black (Air Cart side of couplers) 150ft	150ft
32	N75812	Hose - 3 ID x 100 ft roll - Black 200ft	200ft
33	S72398	Primary Pipe SS - 3 x 36 Lg..... 2	2
34	N66396	Primary Pipe SS - 3 x 48 Lg..... 2	2
35	N64092	Primary Pipe SS - 3 x 72 Lg..... 4	4
36	N64094	Primary Pipe SS - 3 x 96 Lg..... 2	2
37	S72391	Mount Bracket 8	8
38	S72979	Hose Guard..... 2	2
39	M-3388	Locknut - 3/8 Uunitorque..... 20	20
40	W-480	Hex Bolt - 3/8 x 2 1/2 Lg..... 20	20

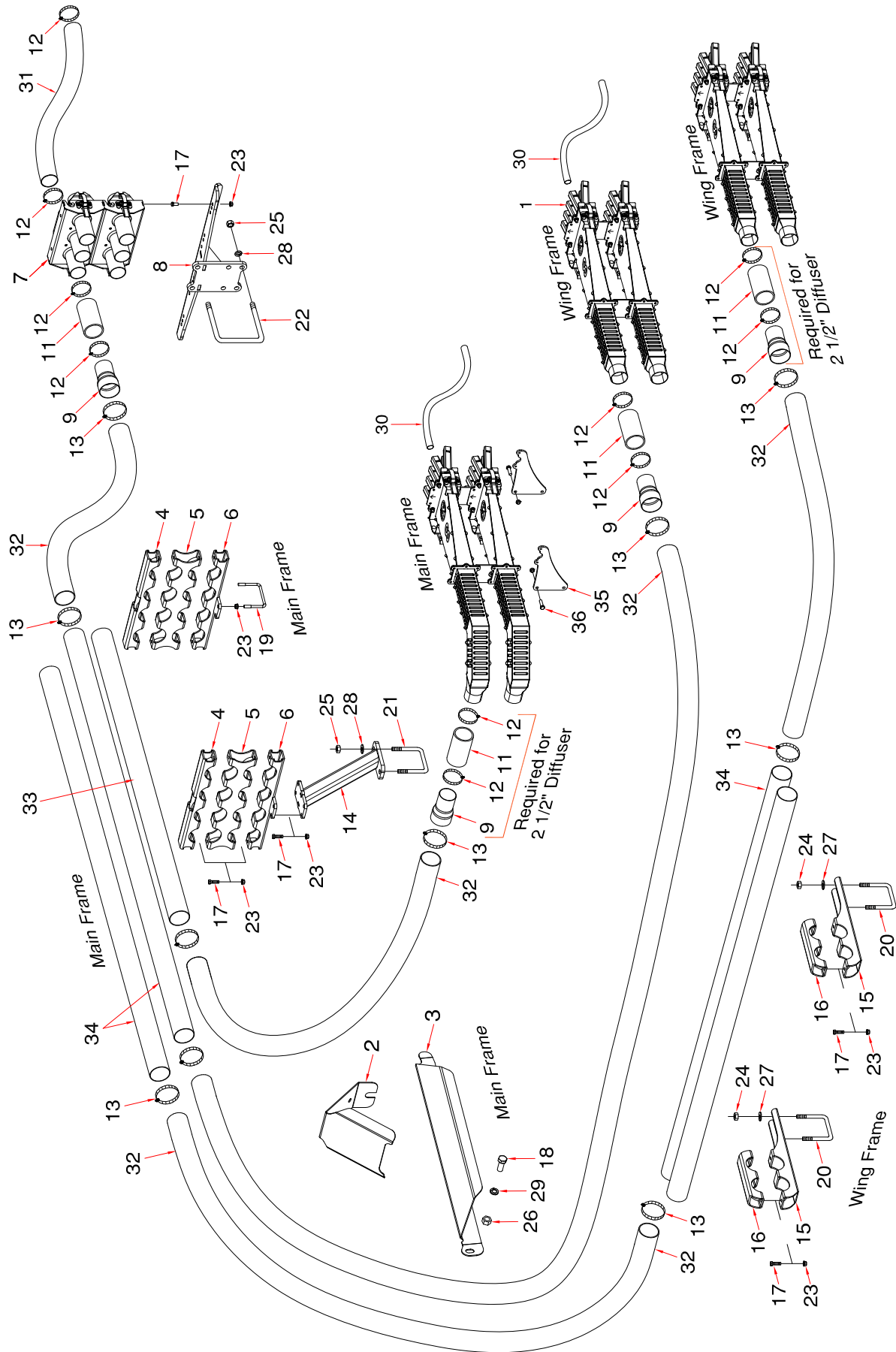
Dual Shoot - Stacked Heads - Tow Behind - Prior to 2023
40 ft - 12m - 5 primaries - 12 and 15 inch (300 - 380mm) Spacing



Dual Shoot Stacked Heads Tow Behind - 40 ft - 12m - 5 primaries - Prior to 2023

Item	Part No.	Description	Qty
1	*****	For 12 and 15 inch - 300mm and 380mm spacing Divider Head Assembly (Refer to Divider Head Assembly for details) 12" spacing uses: N66508 - Divider Head Assembly - 8 Outlet 15" spacing uses: N66506 - Divider Head Assembly - 6 Outlet N66507 - Divider Head Assembly - 7 Outlet	10 6 4
2	S67250	Primary Hose Deflector	2
3	S66430	Primary Hose Hose Suport - Main - Left side (shown)	1
	S66435	Primary Hose Hose Suport - Main - Right side	1
4	N66321	Distribution Pipe Clamp - Main	4
5	N66322	Distribution Pipe Spacer - Main	4
6	N66335	Distribution Pipe Clamp Bracket - Main	4
7	*****	Quick Coupler - 3 Run (Refer to Quick Coupler Assembly for details)	4
8	N53203	Coupler Tower - Behind	1
9	N64095	Primary Hose Adapter	20
10	*****		
11	N19428	Hose - 2.54 ID x 2.79 OD x 5 Lg.....	20
12	N11905	Hose Clamp - 2 1/2 - HC5-44 (Air Cart side uses 20).....	60
13	N64099	Hose Clamp - 3 - SSTCH5-400 (Range 3 1/8 - 3 3/4)	44
14	N66325	Distribution Pipe Stand - Main	2
15	N66339	Distribution Pipe Support Bracket - 2 pipe - Wing	4
16	N66359	Distribution Pipe Clamp - 2 pipe - Wing	4
17	W-187	Hex Bolt - 3/8 x 1 1/4 Lg.....	40
18	BW-10	Hex Bolt - 3/4 x 1 3/4 Lg.....	2
19	D-4932	U-Bolt - 3/8 x 4 1/8 x 3 UL.....	4
20	C-3932	U-Bolt - 1/2 x 4 x 7 1/4 UL.....	4
21	S39649	U-Bolt - 5/8 x 4 x 7 3/4 UL.....	2
22	F-4642	U-Bolt - 5/8 x 6 x 5 1/2 UL.....	2
23	S27987	Locknut - 3/8 Center Lock.....	48
24	W-516	Nut - 1/2	8
25	W-517	Nut - 5/8	8
26	W-518	Nut - 3/4	2
27	W-525	Lockwasher - 1/2.....	8
28	W-526	Lockwasher - 5/8.....	8
29	W-527	Lockwasher - 3/4.....	2
30	R480034	Hose - .929 ID x 1.169 OD/ft (75 ft roll) . . .12"SP-900 ft . . .15"SP-750 ft	
31	R480055	Hose - 2 1/2 ID/ft Goodyear (100 ft rolls) (Air Cart side of couplers)	200
32	R480060	Hose - 3 ID/ft (100 ft rolls)	175
33	N66396	Primary Pipe SS - 3 x 48 Lg.....	4
34	N64094	Primary Pipe SS - 3 x 96 Lg.....	8
35	S65390	Divider Head Pedestal - Main Frame	1
36	N67202	Head Mounting Bracket - 30 Degree - Right (shown)	1
36A	N67200	Head Mounting Bracket - 30 Degree - Left.....	1

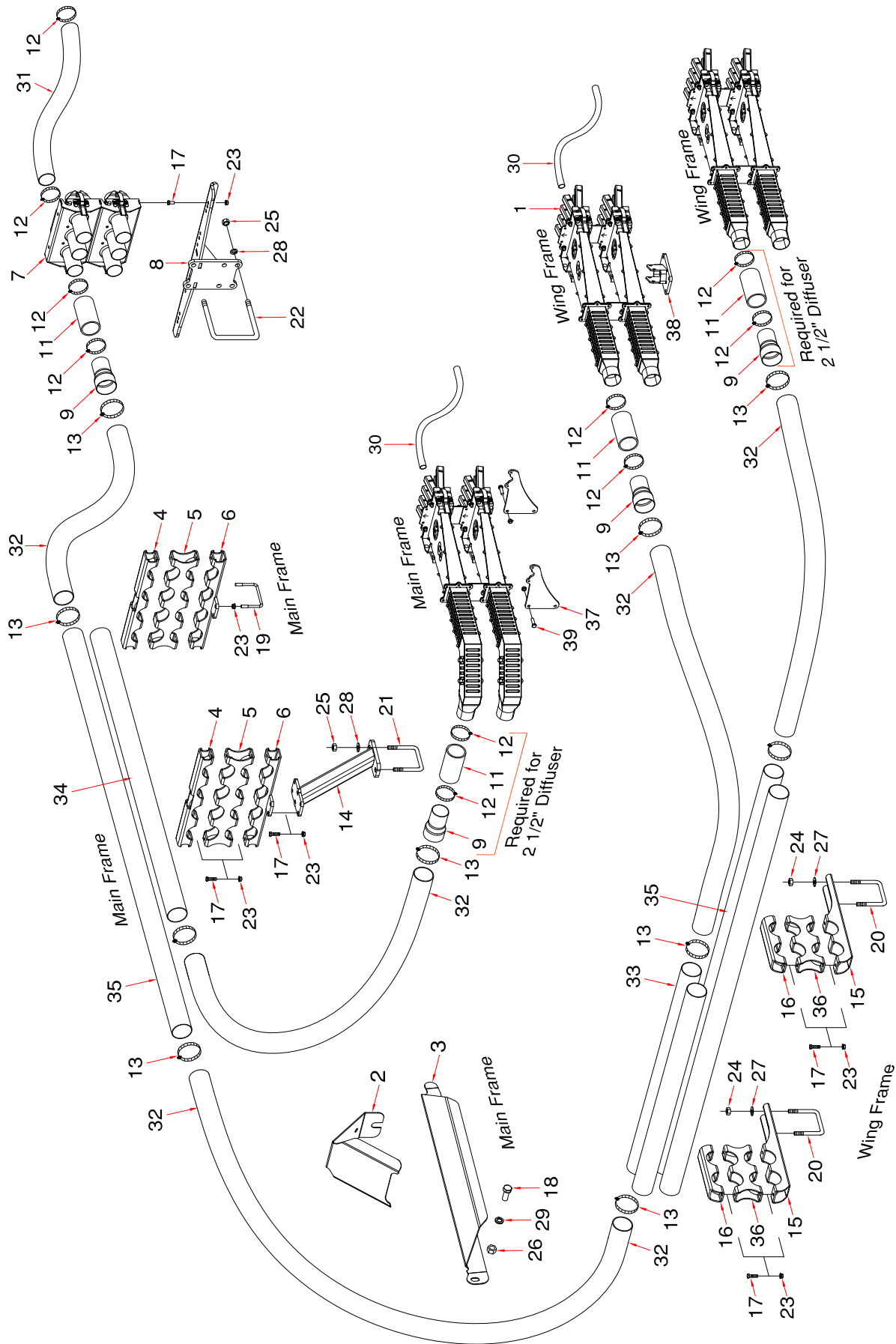
Dual Shoot - Stacked Heads - Tow Behind - Prior to 2023
40 ft - 12m - 6 primaries - 10 inch (250mm) Spacing



Dual Shoot Stacked Heads Tow Behind - 40 ft -12m - 6 primaries - Prior to 2023

Item	Part No.	Description	Qty
1	*****	For 10 inch - 250mm spacing Divider Head Assembly (Refer to Divider Head Assembly for details) 10" spacing uses: N66508 - Divider Head Assembly - 8 Outlet	12
2	S67250	Primary Hose Deflector	2
3	S66430	Primary Hose Hose Suport - Main - Left side (shown)	1
	S66435	Primary Hose Hose Suport - Main - Right side	1
4	N66321	Distribution Pipe Clamp - Main	4
5	N66322	Distribution Pipe Spacer - Main	4
6	N66335	Distribution Pipe Clamp Bracket - Main	4
7	*****	Quick Coupler - 3 Run (Refer to Quick Coupler Assembly for details)	4
8	N53203	Coupler Tower - Behind	1
9	N64095	Primary Hose Adapter	24
10	*****		
11	N19428	Hose - 2.54 ID x 2.79 OD x 5 Lg.....	24
12	N11905	Hose Clamp - 2 1/2 - HC5-44 (Air Cart side uses 24).....	72
13	N64099	Hose Clamp - 3 - SSTCH5-400 (Range 3 1/8 - 3 3/4)	54
14	N66325	Distribution Pipe Stand - Main	2
15	N66339	Distribution Pipe Support Bracket - 2 pipe - Wing	4
16	N66359	Distribution Pipe Clamp - 2 pipe - Wing	4
17	W-187	Hex Bolt - 3/8 x 1 1/4 Lg.....	40
18	BW-10	Hex Bolt - 3/4 x 1 3/4 Lg.....	2
19	D-4932	U-Bolt - 3/8 x 4 1/8 x 3 UL.....	4
20	C-3932	U-Bolt - 1/2 x 4 x 7 1/4 UL.....	4
21	S39649	U-Bolt - 5/8 x 4 x 7 3/4 UL.....	2
22	F-4642	U-Bolt - 5/8 x 6 x 5 1/2 UL.....	2
23	S27987	Locknut - 3/8 Center Lock.....	48
24	W-516	Nut - 1/2	8
25	W-517	Nut - 5/8	8
26	W-518	Nut - 3/4	2
27	W-525	Lockwasher - 1/2.....	8
28	W-526	Lockwasher - 5/8.....	8
29	W-527	Lockwasher - 3/4.....	2
30	R480034	Hose - .929 ID x 1.169 OD/ft (75 ft roll)	1125
31	R480055	Hose - 2 1/2 ID/ft Goodyear (100 ft rolls) (Air Cart side of couplers)	250
32	R480060	Hose - 3 ID/ft (100 ft rolls)	175
33	N64092	Primary Pipe SS - 3 x 72 Lg.....	4
34	N64094	Primary Pipe SS - 3 x 96 Lg.....	12
35	S65382	Head Mounting Plate - Main	4
36	W-187	Hex Bolt - 3/8 x 1 1/4 Lg.....	8

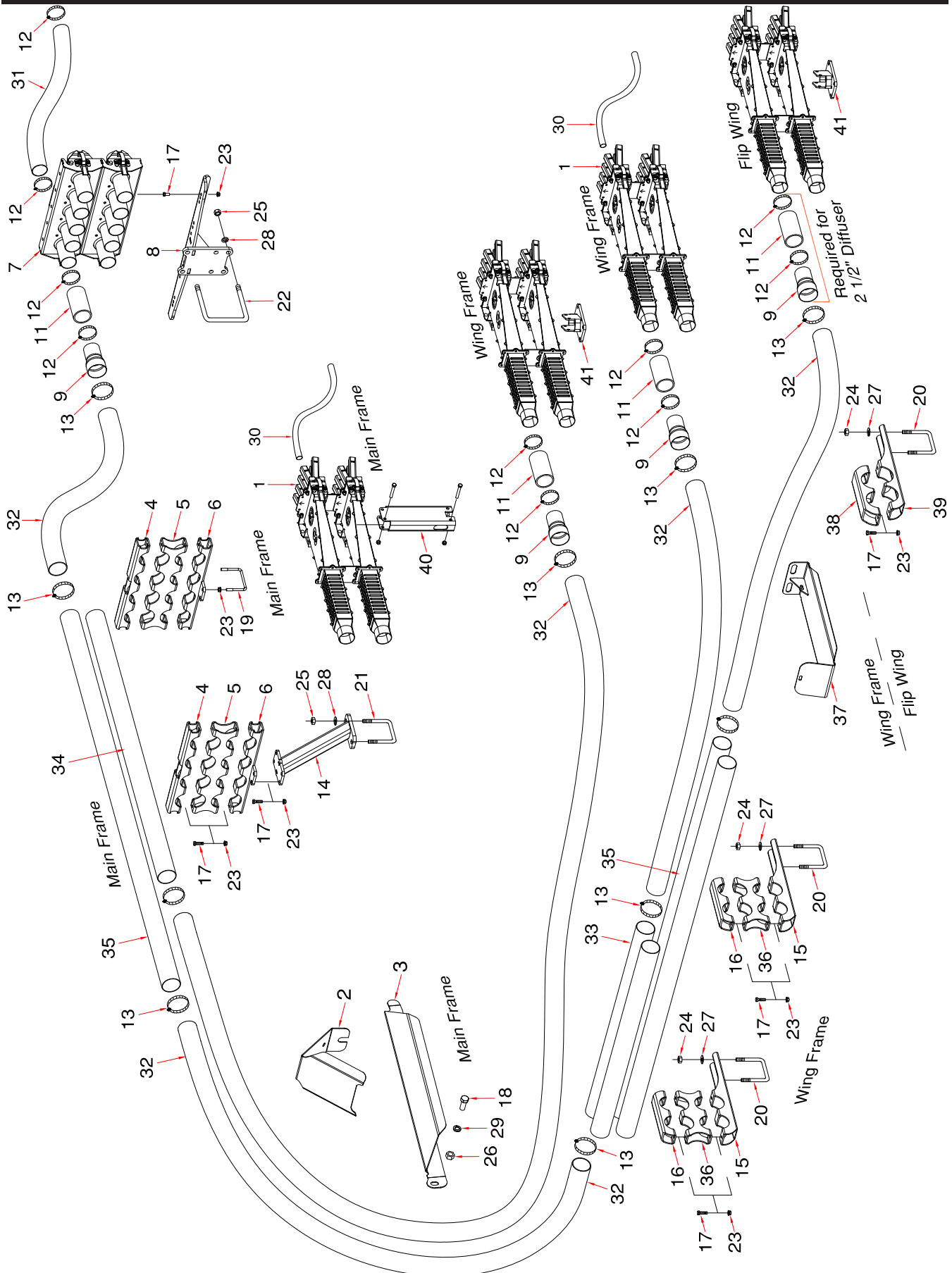
Dual Shoot - Stacked Heads - Tow Behind - Prior to 2023
50 ft - 15m - 6 primaries - 15 inch (380mm) Spacing



Dual Shoot Stacked Heads Tow Behind - 50 ft - 15m - 6 primaries - Prior to 2023

Item	Part No.	Description	Qty
1	*****	For 15 inch - 380mm spacing Divider Head Assembly (Refer to Divider Head Assembly for details) 15" spacing uses: N66506 - Divider Head Assembly - 6 Outlet N66507 - Divider Head Assembly - 7 Outlet	4 8
2	S67250	Primary Hose Deflector	2
3	S66430	Primary Hose Hose Suport - Main - Left side (shown)	1
	S66435	Primary Hose Hose Suport - Main - Right side	1
4	N66321	Distribution Pipe Clamp - Main	4
5	N66322	Distribution Pipe Spacer - Main	4
6	N66335	Distribution Pipe Clamp Bracket - Main	4
7	*****	Quick Coupler - 3 Run (Refer to Quick Coupler Assembly for details)	4
8	N53203	Coupler Tower - Behind	1
9	N64095	Primary Hose Adapter	24
10	*****		
11	N19428	Hose - 2.54 ID x 2.79 OD x 5 Lg.....	24
12	N11905	Hose Clamp - 2 1/2 - HC5-44 (Air Cart side uses 24).....	72
13	N64099	Hose Clamp - 3 - SSTCH5-400	64
14	N66325	Distribution Pipe Stand - Main	2
15	N66339	Distribution Pipe Support Bracket - 2 pipe - Wing	4
16	N66359	Distribution Pipe Clamp - 2 pipe - Wing	4
17	W-187	Hex Bolt - 3/8 x 1 1/4 Lg.....	44
18	BW-10	Hex Bolt - 3/4 x 1 3/4 Lg.....	2
19	D-4932	U-Bolt - 3/8 x 4 1/8 x 3 UL.....	4
20	C-3932	U-Bolt - 1/2 x 4 x 7 1/4 UL.....	4
21	S39649	U-Bolt - 5/8 x 4 x 7 3/4 UL.....	2
22	F-4642	U-Bolt - 5/8 x 6 x 5 1/2 UL.....	2
23	S27987	Locknut - 3/8 Center Lock.....	52
24	W-516	Nut - 1/2	8
25	W-517	Nut - 5/8	8
26	W-518	Nut - 3/4	2
27	W-525	Lockwasher - 1/2.....	8
28	W-526	Lockwasher - 5/8.....	8
29	W-527	Lockwasher - 3/4.....	2
30	R480034	Hose - .929 ID x 1.169 OD/ft (75 ft roll)	900
31	R480055	Hose - 2 1/2 ID/ft Goodyear (100 ft rolls) (Air Cart side of couplers)	250
32	R480060	Hose - 3 ID/ft (100 ft rolls)	300
33	N66396	Primary Pipe SS - 3 x 48 Lg.....	4
34	N64092	Primary Pipe SS - 3 x 72 Lg.....	4
35	N64094	Primary Pipe SS - 3 x 96 Lg.....	12
36	N66358	Distribution Pipe Spacer - 2 pipe - Wing	4
37	S65382	Head Mounting Plate - Main	4
38	N67202	Head Mounting Bracket - 30 Degree - Right (shown)	1
38A	N67200	Head Mounting Bracket - 30 Degree - Left.....	1
39	W-187	Hex Bolt - 3/8 x 1 1/4 Lg.....	8

Dual Shot - Stacked Heads - Tow Behind - Prior to 2023
50 ft - 15m - 7 primaries - 10 and 12 inch (250 - 300mm) Spacing



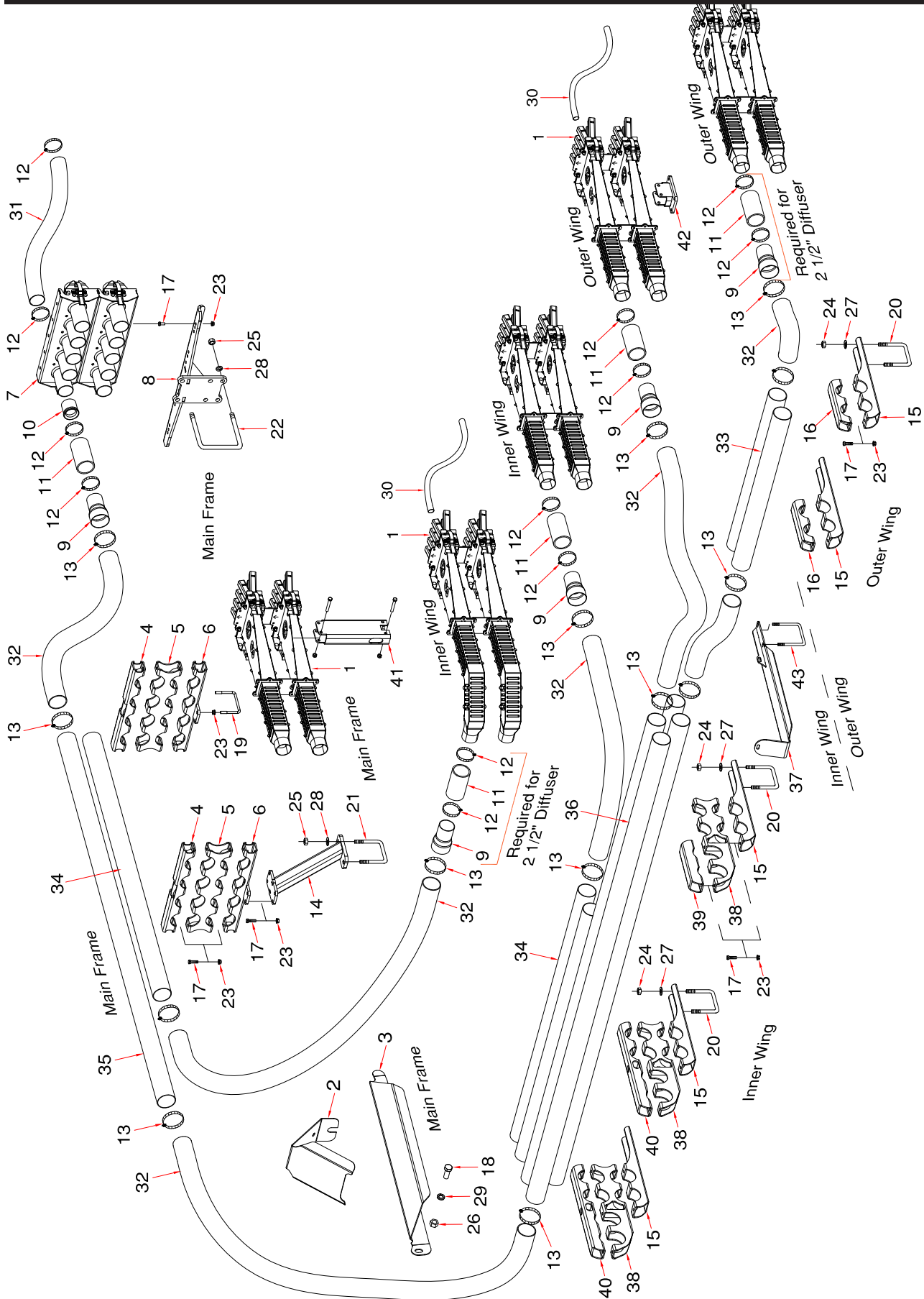
Dual Shoot Stacked Heads Tow Behind - 50 ft - 15m - 7 primaries - Prior to 2023

Item	Part No.	Description	Qty
1	*****	For 10 and 12 inch - 250mm and 300mm spacing Divider Head Assembly (Refer to Divider Head Assembly for details) 10" spacing uses: N66508 - Divider Head Assembly - 8 Outlet 6 N66509 - Divider Head Assembly - 9 Outlet 8 12" spacing uses: N66507 - Divider Head Assembly - 7 Outlet 12 N66508 - Divider Head Assembly - 8 Outlet 2	
2	S67250	Primary Hose Deflector 2	2
3	S66430	Primary Hose Hose Suport - Main - Left side (shown) 1	1
	S66435	Primary Hose Hose Suport - Main - Right side 1	1
4	N66321	Distribution Pipe Clamp - Main 4	4
5	N66322	Distribution Pipe Spacer - Main 4	4
6	N66335	Distribution Pipe Clamp Bracket - Main 4	4
7	*****	Quick Coupler - 5 Run (Refer to Quick Coupler Assembly for details) 4	4
8	N53203	Coupler Tower - Behind 1	1
9	N64095	Primary Hose Adapter 28	28
10	*****		
11	N19428	Hose - 2.54 ID x 2.79 OD x 5 Lg..... 28	28
12	N11905	Hose Clamp - 2 1/2 - HC5-44 (Air Cart side uses 28) 84	84
13	N64099	Hose Clamp - 3 - SSTCH5-400 68	68
14	N66325	Distribution Pipe Stand - Main 2	2
15	N66339	Distribution Pipe Support Bracket - 2 pipe - Wing 4	4
16	N66359	Distribution Pipe Clamp - 2 pipe - Wing 4	4
17	W-187	Hex Bolt - 3/8 x 1 1/4 Lg..... 48	48
18	BW-10	Hex Bolt - 3/4 x 1 3/4 Lg..... 2	2
19	D-4932	U-Bolt - 3/8 x 4 1/8 x 3 UL..... 4	4
20	C-3932	U-Bolt - 1/2 x 4 x 7 1/4 UL..... 12	12
21	S39649	U-Bolt - 5/8 x 4 x 7 3/4 UL..... 2	2
22	F-4642	U-Bolt - 5/8 x 6 x 5 1/2 UL..... 2	2
23	S27987	Locknut - 3/8 Center Lock..... 56	56
24	W-516	Nut - 1/2 24	24
25	W-517	Nut - 5/8 8	8
26	W-518	Nut - 3/4 2	2
27	W-525	Lockwasher - 1/2..... 24	24
28	W-526	Lockwasher - 5/8..... 8	8
29	W-527	Lockwasher - 3/4..... 2	2
30	R480034	Hose - .929 ID x 1.169 OD/ft (75 ft roll) . . . 10"SP-1350 ft . . . 12"SP-1125 ft	
31	R480055	Hose - 2 1/2 ID/ft Goodyear (100 ft rolls) (Air Cart side of couplers) 300	300
32	R480060	Hose - 3 ID/ft (100 ft rolls) 300	300
33	N66396	Primary Pipe SS - 3 x 48 Lg..... 4	4
34	N64092	Primary Pipe SS - 3 x 72 Lg..... 4	4
35	N64094	Primary Pipe SS - 3 x 96 Lg..... 12	12
36	N66358	Distribution Pipe Spacer - 2 pipe - Wing 4	4
37	N67295	Primary Hose Guide Plate - Wing 2	2
38	N66374	Distribution Hose Clamp - Wing - 3 5/8 Dia 2	2
39	N66375	Distribution Hose Support Bracket - Wing - 3 5/8 Dia 2	2
40	S65390	Divider Head Pedestal - Main Frame 1	1
41	N67202	Head Mounting Bracket - 30 Degree - Right (shown) 1	1
41A	N67200	Head Mounting Bracket - 30 Degree - Left..... 1	1

Dual Shoot Stacked Heads Tow Behind - 60 ft - 18m - 8 primaries - Prior to 2023

Item	Part No.	Description	Qty
1	*****	For 10, 12 and 15 inch - 250mm, 300mm and 380mm spacing Divider Head Assembly (Refer to Divider Head Assembly for details) 10" spacing uses: N66509 - Divider Head Assembly - 9 Outlet 12" spacing uses: N66507 - Divider Head Assembly - 7 Outlet N66508 - Divider Head Assembly - 8 Outlet 15" spacing uses 8 # 6 heads N66506 - Divider Head Assembly - 6 Outlet	16 8 8 16
2	S67250	Primary Hose Deflector	2
3	S66430	Primary Hose Hose Suport - Main - Left side (shown)	1
	S66435	Primary Hose Hose Suport - Main - Right side	1
4	N66321	Distribution Pipe Clamp - Main	4
5	N66322	Distribution Pipe Spacer - Main	4
6	N66335	Distribution Pipe Clamp Bracket - Main	4
7	*****	Quick Coupler - 5 Run (Refer to Quick Coupler Assembly for details)	4
8	N53203	Coupler Tower - Behind	1
9	N64095	Primary Hose Adapter	32
10	N37920	Equalizer	0
11	N19428	Hose - 2.54 ID x 2.79 OD x 5 Lg.....	32
12	N11905	Hose Clamp - 2 1/2 - HC5-44 (Air Cart side uses 32).....	96
13	N64099	Hose Clamp - 3 - SSTCH5-400	80
14	N66325	Distribution Pipe Stand - Main	2
15	N66339	Distribution Pipe Support Bracket - 2 pipe - Wing - Wing	6
16	N66359	Distribution Pipe Clamp - 2 pipe - Wing - Wing	2
17	W-187	Hex Bolt - 3/8 x 1 1/4 Lg.....	52
18	BW-10	Hex Bolt - 3/4 x 1 3/4 Lg.....	2
19	D-4932	U-Bolt - 3/8 x 4 1/8 x 3 UL.....	4
20	C-3932	U-Bolt - 1/2 x 4 x 7 1/4 UL.....	8
21	S39649	U-Bolt - 5/8 x 4 x 7 3/4 UL.....	2
22	F-4642	U-Bolt - 5/8 x 6 x 5 1/2 UL.....	2
23	S27987	Locknut - 3/8 Center Lock.....	60
24	W-516	Nut - 1/2	16
25	W-517	Nut - 5/8	8
26	W-518	Nut - 3/4	2
27	W-525	Lockwasher - 1/2.....	16
28	W-526	Lockwasher - 5/8.....	8
29	W-527	Lockwasher - 3/4.....	2
30	R480034	Hose - .929 ID x 1.169 OD/ft (75 ft roll) 10"SP-1650 ft . . 12"SP-1350 ft . . 15"SP-1125 ft .	
31	R480055	Hose - 2 1/2 ID/ft Goodyear (100 ft rolls) (Air Cart side of couplers)	325
32	R480060	Hose - 3 ID/ft (100 ft rolls)	275
33	N64092	Primary Pipe SS - 3 x 72 Lg.....	8
34	N64094	Primary Pipe SS - 3 x 96 Lg.....	16
35	N66374	Distribution Hose Clamp - Wing - 3 5/8 Dia	2
36	N66375	Distribution Hose Support Bracket - Wing - 3 5/8 Dia	2
37	N66395	Primary Hose Guide Plate - Wing	2
38	N66775	Distribution Pipe Spacer - 6 pipe - Wing	4
39	N66855	Distribution Pipe Clamp - 2 pipe - Wing	4
40	S65382	Head Mounting Plate - Main	4
41	N50842	Bushings - .385 ID x 5/8 OD x 3 1/4 Lg	8
42	S-1299	Hex Bolt - 3/8 x 4 1/2 Lg.....	8
43	N67200	Head Mounting Bracket - 30 Degree - Left (shown).....	1
43A	N67202	Head Mounting Bracket - 30 Degree - Right	1
44	N19723	U-Bolt - 3/8 x 4 1/16 x 6 15/16 UL.....	8

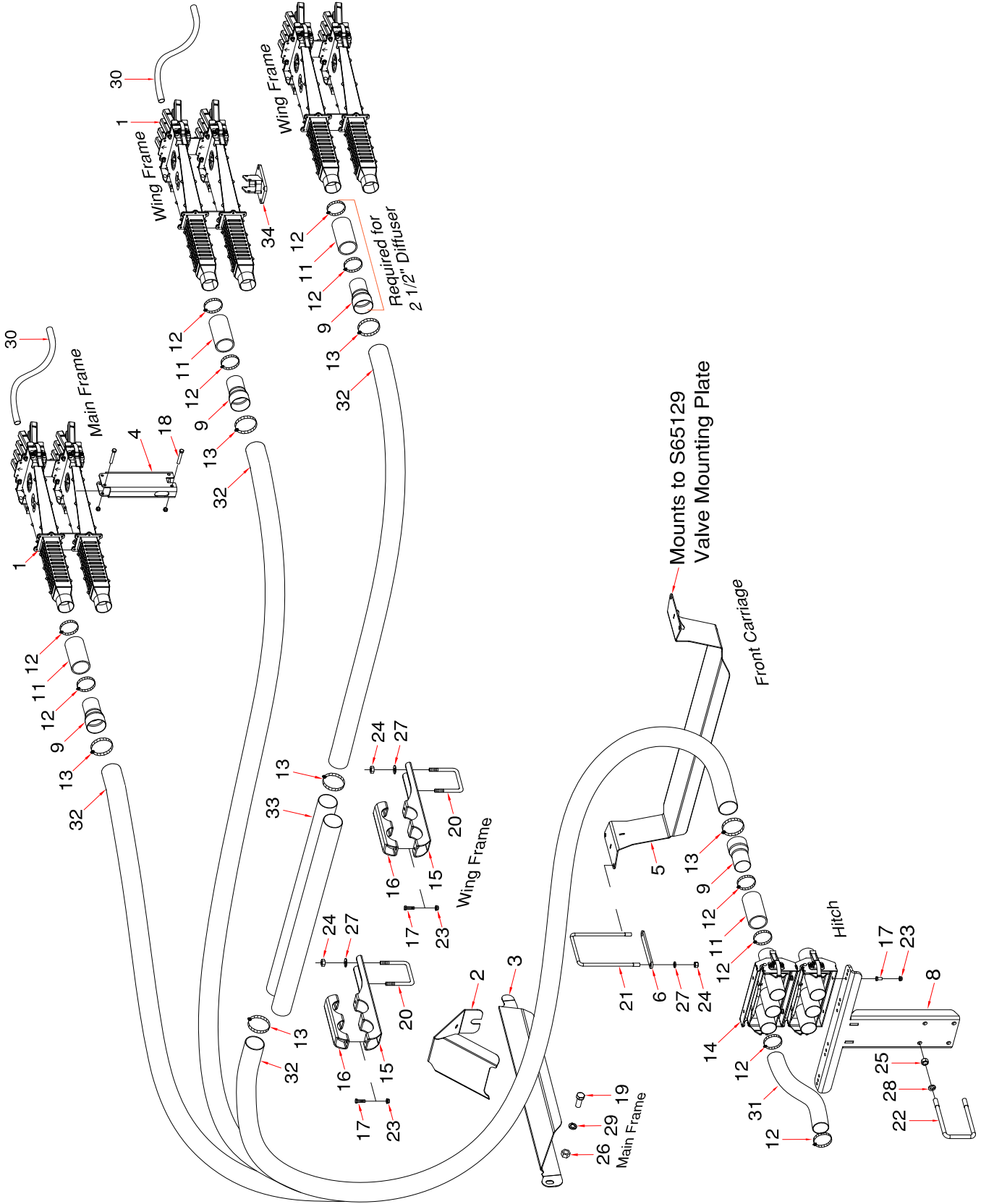
Dual Shoot - Stacked Heads - Tow Behind - Prior to 2023
70 ft - 21m - 9 primaries - 10, 12 and 15 inch (250 - 300 - 380mm) Spacing



Dual Shoot Stacked Heads Tow Behind - 70 ft - 21m - 9 primaries - Prior to 2023

Item	Part No.	Description	Qty
1	*****	For 10, 12 and 15 inch - 250mm, 300mm and 380mm spacing Divider Head Assembly (Refer to Divider Head Assembly for details) 10" spacing uses: N66509 - Divider Head Assembly - 9 Outlet N66510 - Divider Head Assembly - 10 Outlet..... 12" spacing uses: N66507 - Divider Head Assembly - 7 Outlet N66508 - Divider Head Assembly - 8 Outlet 15" spacing uses: N66506 - Divider Head Assembly - 6 Outlet N66507 - Divider Head Assembly - 7 Outlet	12 6 4 14 14 4
2	S67250	Primary Hose Deflector	2
3	S66430	Primary Hose Hose Suport - Main - Left side (shown)	1
	S66435	Primary Hose Hose Suport - Main - Right side	1
4	N66321	Distribution Pipe Clamp - Main	4
5	N66322	Distribution Pipe Spacer - Main	4
6	N66335	Distribution Pipe Clamp Bracket - Main	4
7	*****	Quick Coupler - 5 Run (Refer to Quick Coupler Assembly for details)	4
8	N53203	Coupler Tower - Behind	1
9	N64095	Primary Hose Adapter	36
10	N37920	Equalizer	0
11	N19428	Hose - 2.54 ID x 2.79 OD x 5 Lg.....	36
12	N11905	Hose Clamp - 2 1/2 - HC5-44 (Air Cart side uses 36).....	108
13	N64099	Hose Clamp - 3 - SSTCH5-400	112
14	N66325	Distribution Pipe Stand - Main	2
15	N66339	Distribution Pipe Support Bracket - Wing	10
16	N66359	Distribution Pipe Clamp - Wing	4
17	W-187	Hex Bolt - 3/8 x 1 1/4 Lg.....	64
18	BW-10	Hex Bolt - 3/4 x 1 3/4 Lg.....	2
19	D-4932	U-Bolt - 3/8 x 4 1/8 x 3 UL.....	4
20	C-3932	U-Bolt - 1/2 x 4 x 7 1/4 UL.....	10
21	S39649	U-Bolt - 5/8 x 4 x 7 3/4 UL.....	2
22	F-4642	U-Bolt - 5/8 x 6 x 5 1/2 UL.....	2
23	S27987	Locknut - 3/8 Center Lock.....	72
24	W-516	Nut - 1/2	20
25	W-517	Nut - 5/8	8
26	W-518	Nut - 3/4	2
27	W-525	Lockwasher - 1/2.....	20
28	W-526	Lockwasher - 5/8.....	8
29	W-527	Lockwasher - 3/4.....	2
30	R480034	Hose - .929 ID x 1.169 OD/ft (75 ft roll) 10"SP-1875 ft . . 12"SP-1500 ft . . 15"SP-1275 ft.	
31	R480055	Hose - 2 1/2 ID/ft Goodyear (100 ft rolls) (Air Cart side of couplers)	375
32	R480060	Hose - 3 ID/ft (100 ft rolls)	350
33	N66396	Primary Pipe SS - 3 x 48 Lg.....	4
34	N64092	Primary Pipe SS - 3 x 72 Lg.....	8
35	N64094	Primary Pipe SS - 3 x 96 Lg.....	12
36	N64096	Primary Pipe SS - 3 x 120 Lg.....	8
37	N66395	Primary Hose Guide Plate.....	2
38	N66775	Distribution Pipe Spacer - 6 pipe - Wing	6
39	N66855	Distribution Pipe Clamp - 2 pipe - Wing	2
40	N66860	Distribution Pipe Clamp - 4 pipe - Wing	4
41	S65390	Divider Head Pedestal - Main Frame	1
42	N67640	Head Mounting Bracket - Straight	2
43	N19723	U-Bolt - 3/8 x 4 1/16 x 6 15/16 UL.....	8

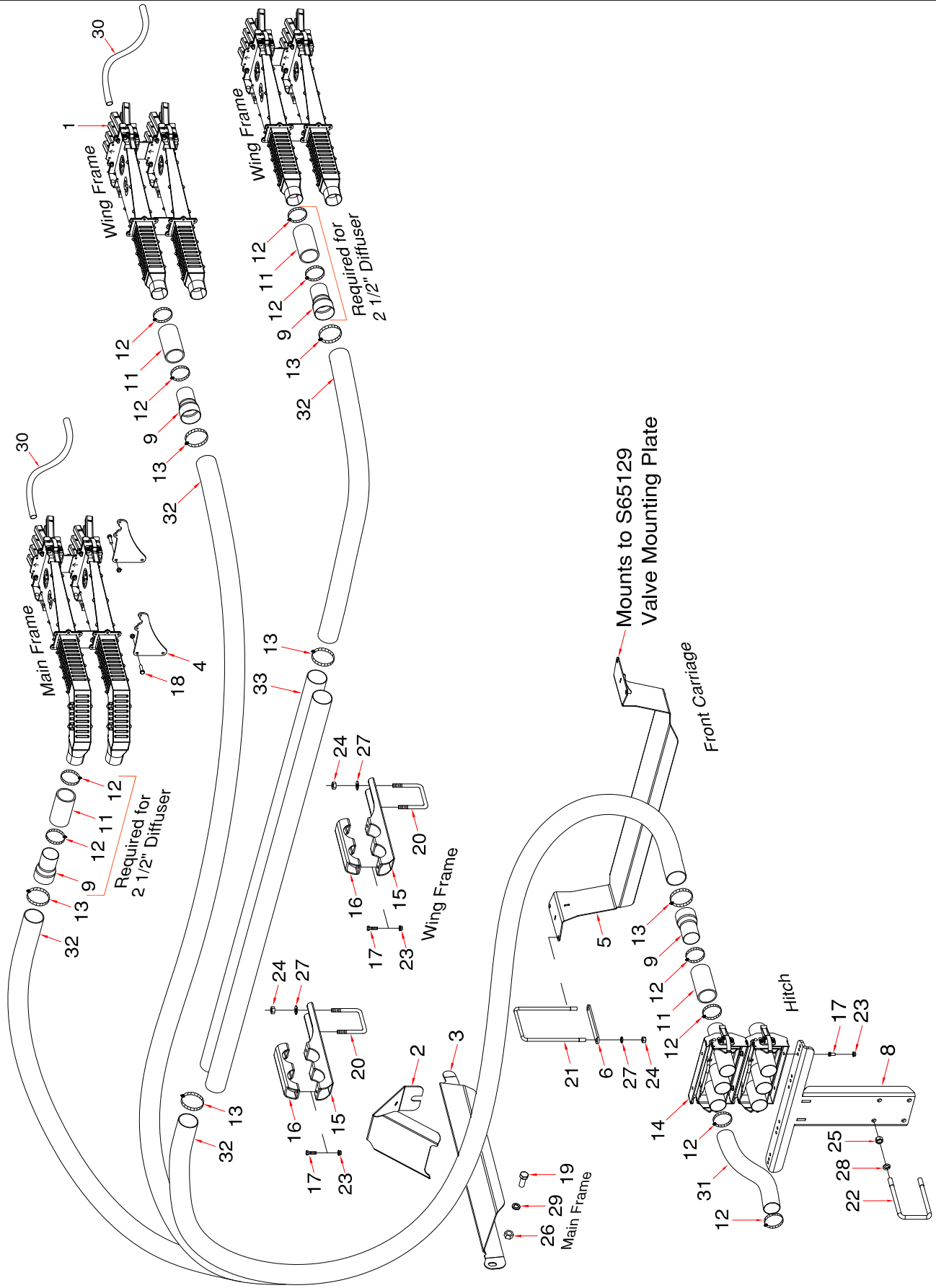
Dual Shoot - Stacked Heads - Tow Between - Prior to 2023
40 ft - 12m - 5 primaries - 12 and 15 inch (300 - 380mm) Spacing



Dual Shoot Stacked Heads Tow Between - 40 ft - 12m - 5 primaries - Prior to 2023

Item	Part No.	Description	Qty
1	*****	For 12 and 15 inch - 300mm and 380mm spacing Divider Head Assembly (Refer to Divider Head Assembly for details) 12" spacing uses: N66508 - Divider Head Assembly - 8 Outlet 15" spacing uses: N66506 - Divider Head Assembly - 6 Outlet N66507 - Divider Head Assembly - 7 Outlet	10 6 4
2	S67250	Primary Hose Deflector	2
3	S66430	Primary Hose Hose Suport - Main - Left side (shown)	1
	S66435	Primary Hose Hose Suport - Main - Right side	1
4	S65390	Divider Head Pedestal - Main Frame	1
5	N67245	Primary Hose Hose Suport - Between	1
6	N67274	Spacer Plate	1
7	N67275	Kit - Primary Hose Hose Suport - Between (Includes items 5, 6, 21, 24 and 27)	
8	N66234	Coupler Tower - Between	1
9	N64095	Primary Hose Adapter	20
10	*****		
11	N19428	Hose - 2.54 ID x 2.79 OD x 5 Lg.....	20
12	N11905	Hose Clamp - 2 1/2 - HC5-44 (Air Cart side uses 20).....	60
13	N64099	Hose Clamp - 3 - SSTCH5-400	28
14	*****	Quick Coupler - 5 Run (Refer to Quick Coupler Assembly for details).....	2
15	N66339	Distribution Pipe Support Bracket - 2 pipe - Wing	4
16	N66359	Distribution Pipe Clamp - 2 pipe - Wing	4
17	W-187	Hex Bolt - 3/8 x 1 1/4 Lg.....	12
18	W-480	Hex Bolt - 3/8 x 2 1/2 Lg (Refer to Divider Head Assembly for details).....	2
19	BW-10	Hex Bolt - 3/4 x 1 3/4 Lg.....	2
20	C-3932	U-Bolt - 1/2 x 4 x 7 1/4 UL.....	4
21	H25628	U-Bolt - 1/2 x 6 1/16 x 9 3/8 UL.....	1
22	S39649	U-Bolt - 5/8 x 4 x 7 3/4 UL.....	2
23	S27987	Locknut - 3/8 Center Lock.....	12
24	W-516	Nut - 1/2	6
25	W-517	Nut - 5/8	4
26	W-518	Nut - 3/4	2
27	W-525	Lockwasher - 1/2.....	6
28	W-526	Lockwasher - 5/8.....	4
29	W-527	Lockwasher - 3/4.....	2
30	R480034	Hose - .929 ID x 1.169 OD/ft (75 ft roll) . . 12"SP-900 ft . . 15"SP-750 ft	
31	R480055	Hose - 2 1/2 ID/ft Goodyear (100 ft rolls) (Air Cart side of couplers).....	140
32	R480060	Hose - 3 ID/ft (100 ft rolls)	200
33	N66396	Primary Pipe SS - 3 x 48 Lg.....	4
34	N67202	Head Mounting Bracket - 30 Degree - Right (shown)	1
34A	N67200	Head Mounting Bracket - 30 Degree - Left.....	1

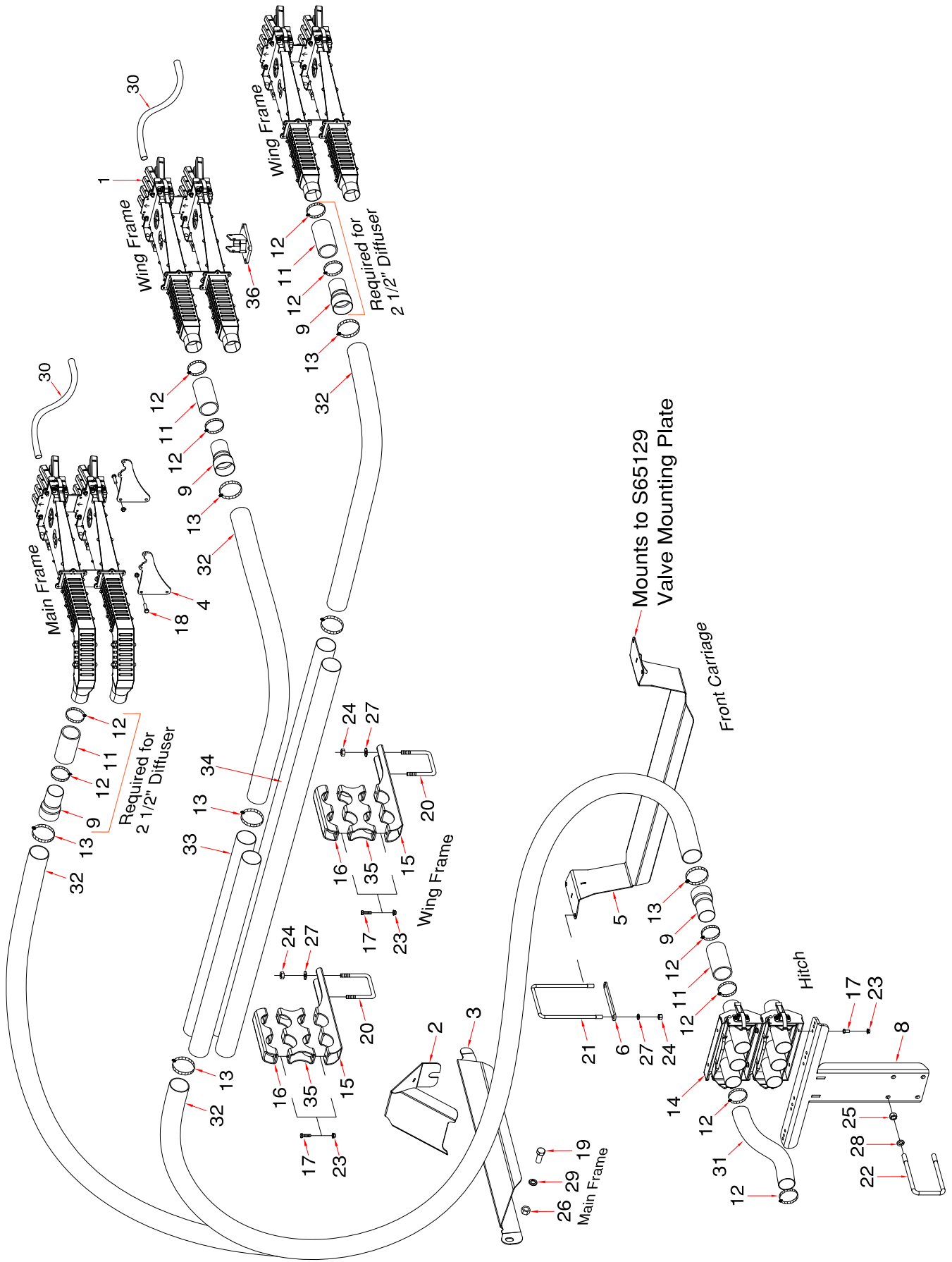
Dual Shoot - Stacked Heads - Tow Between - Prior to 2023
40 ft - 12m - 6 primaries - 10 inch (250mm) Spacing



Dual Shoot Stacked Heads Tow Between - 40 ft - 12m - 6 primaries - Prior to 2023

Item	Part No.	Description	Qty
1	*****	For 10 - 250mm spacing Divider Head Assembly (Refer to Divider Head Assembly for details) 10" spacing uses: N66508 - Divider Head Assembly - 8 Outlet	12
2	S67250	Primary Hose Deflector	2
3	S66430	Primary Hose Hose Suport - Main - Left side (shown)	1
	S66435	Primary Hose Hose Suport - Main - Right side	1
4	S65382	Head Mounting Plate - Main	4
5	N67245	Primary Hose Hose Suport - Between	1
6	N67274	Spacer Plate	1
7	N67275	Kit - Primary Hose Hose Suport - Between (Includes items 5, 6, 21, 24 and 27)	
8	N66234	Coupler Tower - Between	1
9	N64095	Primary Hose Adapter	12
10	*****		
11	N19428	Hose - 2.54 ID x 2.79 OD x 5 Lg.....	12
12	N11905	Hose Clamp - 2 1/2 - HC5-44 (Air Cart side uses 24).....	72
13	N64099	Hose Clamp - 3 - SSTCH5-400	32
14	*****	Quick Coupler - 3 Run (Refer to Quick Coupler Assembly for details).....	4
15	N66339	Distribution Pipe Support Bracket - 2 pipe - Wing	4
16	N66359	Distribution Pipe Clamp - 2 pipe - Wing	4
17	W-187	Hex Bolt - 3/8 x 1 1/4 Lg.....	12
18	W-187	Hex Bolt - 3/8 x 1 1/4 Lg (Refer to Divider Head Assembly for details).....	8
19	BW-10	Hex Bolt - 3/4 x 1 3/4 Lg.....	2
20	C-3932	U-Bolt - 1/2 x 4 x 7 1/4 UL.....	4
21	H25628	U-Bolt - 1/2 x 6 1/16 x 9 3/8 UL.....	1
22	S39649	U-Bolt - 5/8 x 4 x 7 3/4 UL.....	2
23	S27987	Locknut - 3/8 Center Lock.....	12
24	W-516	Nut - 1/2	6
25	W-517	Nut - 5/8	4
26	W-518	Nut - 3/4	2
27	W-525	Lockwasher - 1/2.....	6
28	W-526	Lockwasher - 5/8.....	4
29	W-527	Lockwasher - 3/4.....	2
30	R480034	Hose - .929 ID x 1.169 OD/ft (75 ft roll) . . 10"SP-1125 ft.....	1125
31	R480055	Hose - 2 1/2 ID/ft Goodyear (100 ft rolls) (Air Cart side of couplers).....	175
32	R480060	Hose - 3 ID/ft (100 ft rolls)	225
33	N64094	Primary Pipe SS - 3 x 96 Lg.....	4

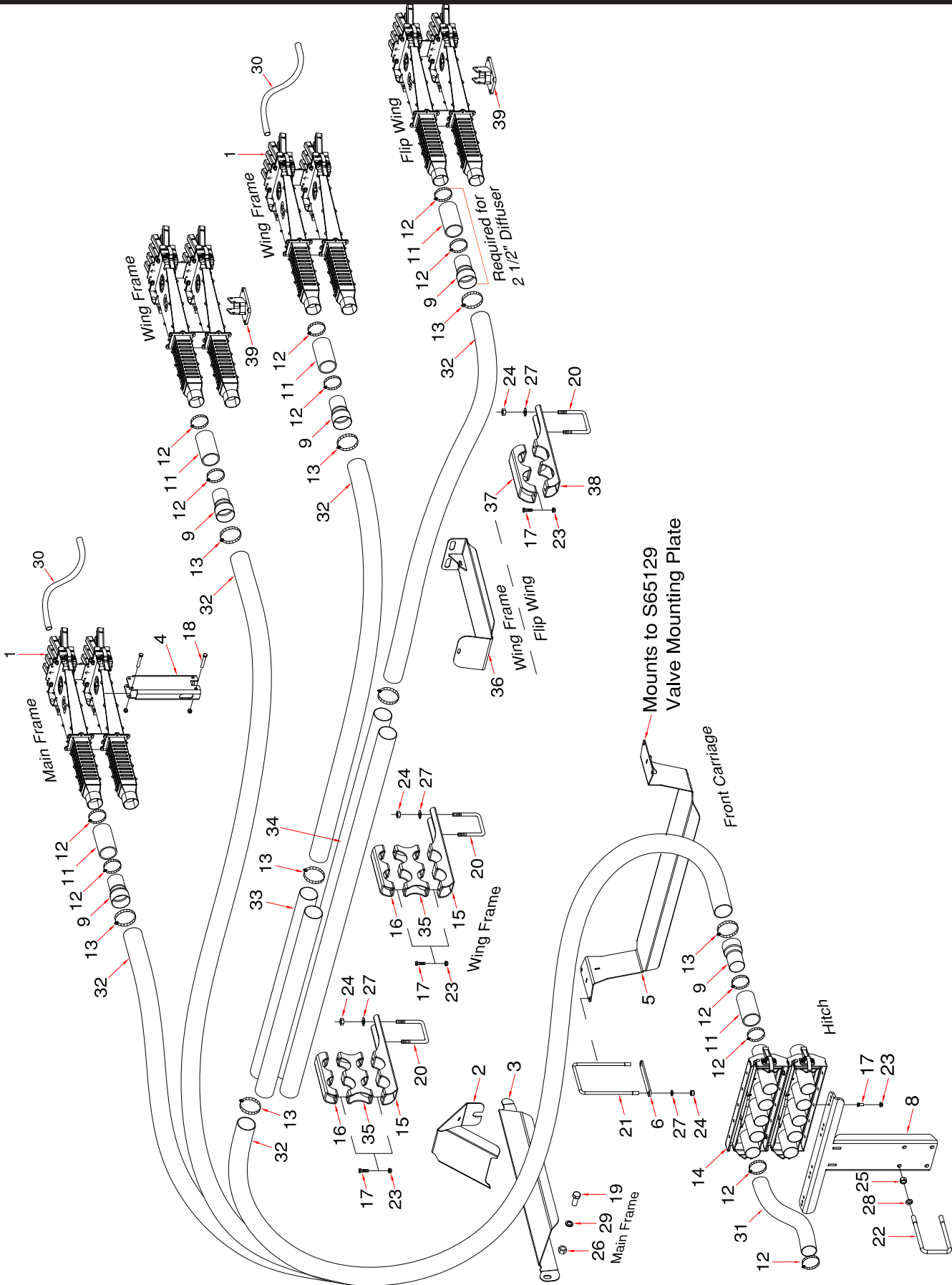
Dual Shot - Stacked Heads - Tow Between - Prior to 2023
50 ft - 15m - 6 primaries - 15 inch (380mm) Spacing



Dual Shoot Stacked Heads Tow Between - 50 ft - 15m - 6 primaries - Prior to 2023

Item	Part No.	Description	Qty
1	*****	For 15 inch - 380mm spacing Divider Head Assembly (Refer to Divider Head Assembly for details) 15" spacing uses: N66506 - Divider Head Assembly - 6 Outlet 4 N66507 - Divider Head Assembly - 7 Outlet 8	
2	S67250	Primary Hose Deflector 2	2
3	S66430	Primary Hose Hose Suport - Main - Left side (shown) 1	1
	S66435	Primary Hose Hose Suport - Main - Right side 1	1
4	S65382	Head Mounting Plate - Main 4	4
5	N67245	Primary Hose Hose Suport - Between 1	1
6	N67274	Spacer Plate 1	1
7	N67275	Kit - Primary Hose Hose Suport - Between (Includes items 5, 6, 21, 24 and 27)	
8	N66234	Coupler Tower - Between 1	1
9	N64095	Primary Hose Adapter 12	12
10	*****		
11	N19428	Hose - 2.54 ID x 2.79 OD x 5 Lg..... 12	12
12	N11905	Hose Clamp - 2 1/2 - HC5-44 (Air Cart side uses 24)..... 72	72
13	N64099	Hose Clamp - 3 - SSTCH5-400 40	40
14	*****	Quick Coupler - 3 Run (Refer to Quick Coupler Assembly for details)..... 4	4
15	N66339	Distribution Pipe Support Bracket - 2 pipe - Wing 4	4
16	N66359	Distribution Pipe Clamp - 2 pipe - Wing 4	4
17	W-187	Hex Bolt - 3/8 x 1 1/4 Lg..... 20	20
18	W-187	Hex Bolt - 3/8 x 1 1/4 Lg (Refer to Divider Head Assembly for details) 8	8
19	BW-10	Hex Bolt - 3/4 x 1 3/4 Lg..... 2	2
20	C-3932	U-Bolt - 1/2 x 4 x 7 1/4 UL..... 4	4
21	H25628	U-Bolt - 1/2 x 6 1/16 x 9 3/8 UL..... 1	1
22	S39649	U-Bolt - 5/8 x 4 x 7 3/4 UL..... 2	2
23	S27987	Locknut - 3/8 Center Lock..... 20	20
24	W-516	Nut - 1/2 6	6
25	W-517	Nut - 5/8 4	4
26	W-518	Nut - 3/4 2	2
27	W-525	Lockwasher - 1/2..... 6	6
28	W-526	Lockwasher - 5/8..... 4	4
29	W-527	Lockwasher - 3/4..... 2	2
30	R480034	Hose - .929 ID x 1.169 OD/ft (75 ft roll) 900	900
31	R480055	Hose - 2 1/2 ID/ft Goodyear (100 ft rolls) (Air Cart side of couplers) 175	175
32	R480060	Hose - 3 ID/ft (100 ft rolls) 225	225
33	N66396	Primary Pipe SS - 3 x 48 Lg..... 4	4
34	N64094	Primary Pipe SS - 3 x 96 Lg..... 4	4
35	N66358	Distribution Pipe Spacer - 2 pipe - Wing 4	4
36	N67202	Head Mounting Bracket - 30 Degree - Right (shown) 1	1
36A	N67200	Head Mounting Bracket - 30 Degree - Left..... 1	1

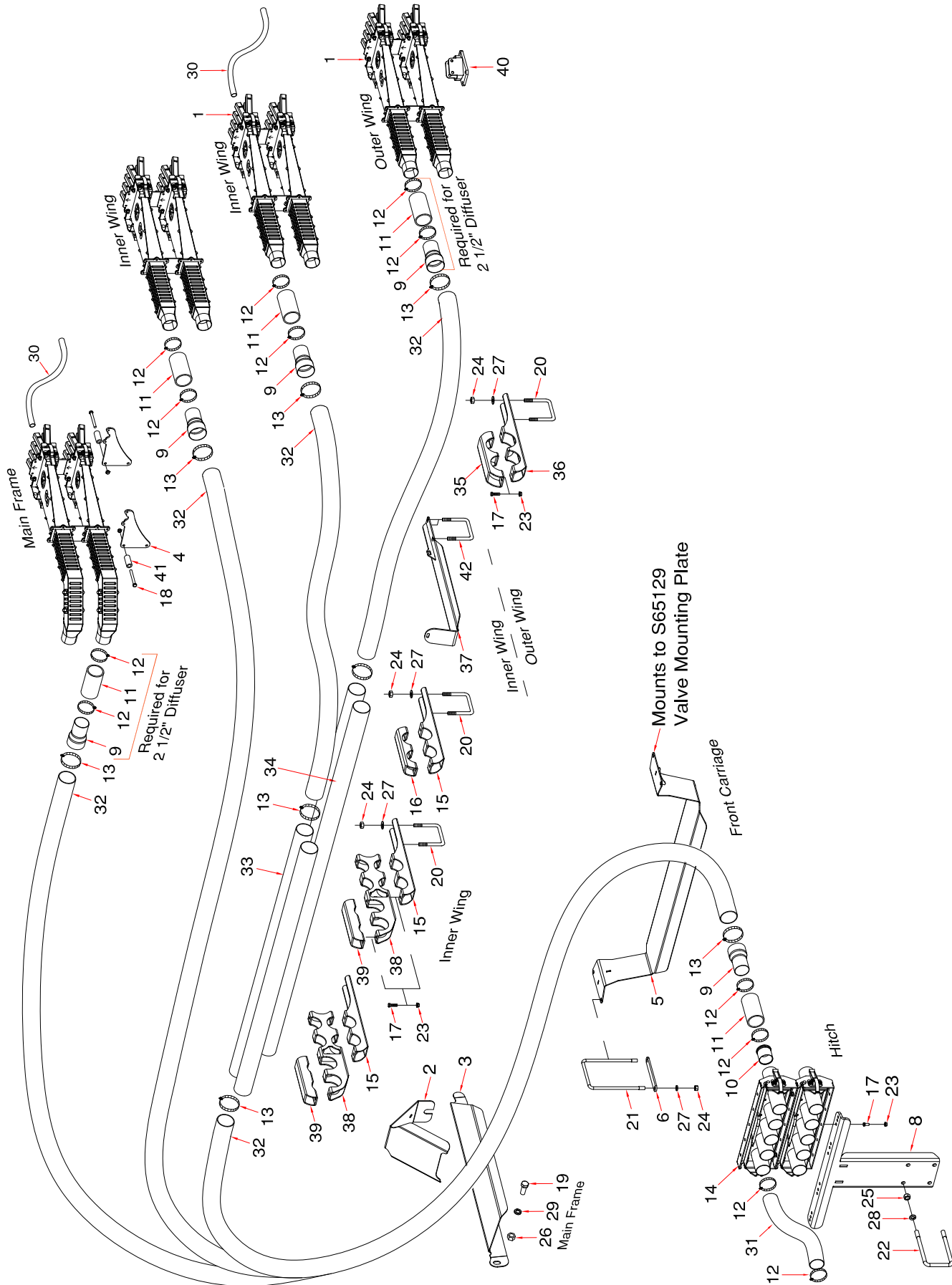
Dual Shoot - Stacked Heads - Tow Between - Prior to 2023
50 ft - 15m - 7 primaries - 10 and 12 inch (250 - 300mm) Spacing



Dual Shoot Stacked Heads Tow Between - 50 ft - 15m - 7 primaries - Prior to 2023

Item	Part No.	Description	Qty
1	*****	For 10 and 12 inch - 250mm and 300mm spacing Divider Head Assembly (Refer to Divider Head Assembly for details) 10" spacing uses: N66508 - Divider Head Assembly - 8 Outlet 6 N66509 - Divider Head Assembly - 9 Outlet 8 12" spacing uses: N66507 - Divider Head Assembly - 7 Outlet 12 N66508 - Divider Head Assembly - 8 Outlet 2	
2	S67250	Primary Hose Deflector 2	2
3	S66430	Primary Hose Hose Suport - Main - Left side (shown) 1	1
	S66435	Primary Hose Hose Suport - Main - Right side 1	1
4	S65390	Divider Head Pedestal - Main Frame 1	1
5	N67245	Primary Hose Hose Suport - Between 1	1
6	N67274	Spacer Plate 1	1
7	N67275	Kit - Primary Hose Hose Suport - Between (Includes items 5, 6, 21, 24 and 27)	
8	N66234	Coupler Tower - Between 1	1
9	N64095	Primary Hose Adapter 14	14
10	*****		
11	N19428	Hose - 2.54 ID x 2.79 OD x 5 Lg..... 14	14
12	N11905	Hose Clamp - 2 1/2 - HC5-44 (Air Cart side uses 28)..... 84	84
13	N64099	Hose Clamp - 3 - SSTCH5-400 44	44
14	*****	Quick Coupler - 5 Run (Refer to Quick Coupler Assembly for details) 4	4
15	N66339	Distribution Pipe Support Bracket - 2 pipe - Wing 4	4
16	N66359	Distribution Pipe Clamp - 2 pipe - Wing 4	4
17	W-187	Hex Bolt - 3/8 x 1 1/4 Lg..... 24	24
18	W-480	Hex Bolt - 3/8 x 2 1/2 Lg (Refer to Divider Head Assembly for details) 2	2
19	BW-10	Hex Bolt - 3/4 x 1 3/4 Lg..... 2	2
20	C-3932	U-Bolt - 1/2 x 4 x 7 1/4 UL..... 6	6
21	H25628	U-Bolt - 1/2 x 6 1/16 x 9 3/8 UL..... 1	1
22	S39649	U-Bolt - 5/8 x 4 x 7 3/4 UL..... 2	2
23	S27987	Locknut - 3/8 Center Lock..... 24	24
24	W-516	Nut - 1/2 14	14
25	W-517	Nut - 5/8 4	4
26	W-518	Nut - 3/4 2	2
27	W-525	Lockwasher - 1/2..... 14	14
28	W-526	Lockwasher - 5/8..... 4	4
29	W-527	Lockwasher - 3/4..... 2	2
30	R480034	Hose - .929 ID x 1.169 OD/ft (75 ft roll) 10"SP-1350 ft . . 12"SP-1125 ft . .	
31	R480055	Hose - 2 1/2 ID/ft Goodyear (100 ft rolls) (Air Cart side of couplers) 200	200
32	R480060	Hose - 3 ID/ft (100 ft rolls) 300	300
33	N66396	Primary Pipe SS - 3 x 48 Lg..... 4	4
34	N64094	Primary Pipe SS - 3 x 96 Lg..... 4	4
35	N66358	Distribution Pipe Spacer - 2 pipe - Wing 4	4
36	N67295	Primary Hose Guide Plate - Wing 2	2
37	N66374	Distribution Hose Clamp - Wing - 3 5/8 Dia 2	2
38	N66375	Distribution Hose Support Bracket - Wing - 3 5/8 Dia 2	2
39	N67202	Head Mounting Bracket - 30 Degree - Right (shown) 2	2
39A	N67200	Head Mounting Bracket - 30 Degree - Left..... 2	2

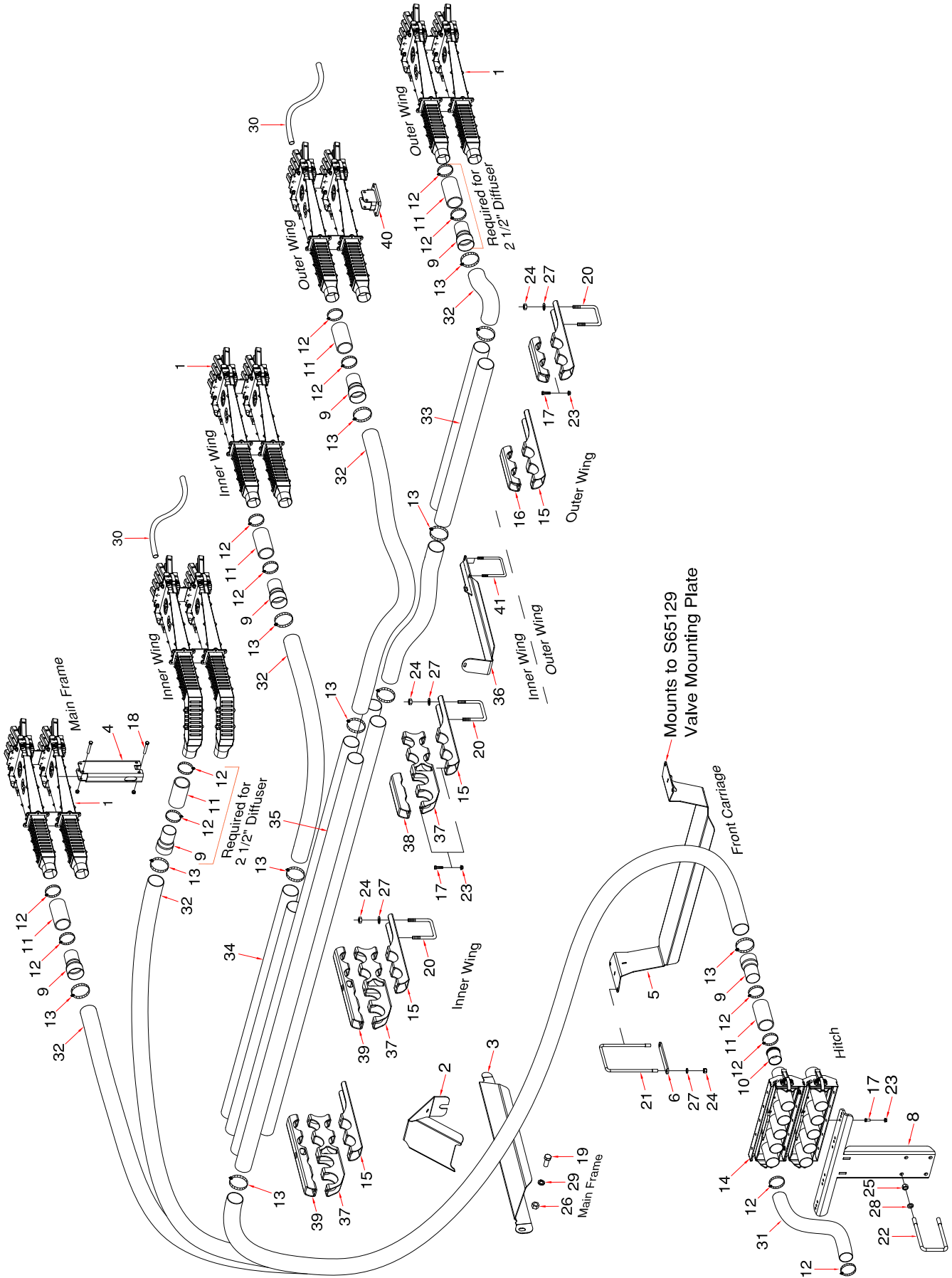
Dual Shoot - Stacked Heads - Tow Between - Prior to 2023
60 ft - 18m - 8 primaries - 10, 12 and 15 inch (250 - 300 - 380mm) Spacing



Dual Shoot Stacked Heads Tow Between - 60 ft - 18m - 8 primaries - Prior to 2023

Item	Part No.	Description	Qty
1	*****	For 10, 12 and 15 inch - 250mm, 300mm and 380mm spacing Divider Head Assembly (Refer to Divider Head Assembly for details) 10" spacing uses: N66509 - Divider Head Assembly - 9 Outlet 12" spacing uses: N66507 - Divider Head Assembly - 7 Outlet N66508 - Divider Head Assembly - 8 Outlet 15" spacing uses 8 # 6 heads N66506 - Divider Head Assembly - 6 Outlet	16 8 8 16
2	S67250	Primary Hose Deflector	2
3	S66430	Primary Hose Hose Suport - Main - Left side (shown)	1
	S66435	Primary Hose Hose Suport - Main - Right side	1
4	S65382	Head Mounting Plate - Main	4
5	N67245	Primary Hose Hose Suport - Between	1
6	N67274	Spacer Plate	1
7	N67275	Kit - Primary Hose Hose Suport - Between (Includes items 5, 6, 21, 24 and 27)	
8	N66234	Coupler Tower - Between	1
9	N64095	Primary Hose Adapter	16
10	N37920	Equalizer	0
11	N19428	Hose - 2.54 ID x 2.79 OD x 5 Lg.....	16
12	N11905	Hose Clamp - 2 1/2 - HC5-44 (Air Cart side uses 32).....	96
13	N64099	Hose Clamp - 3 - SSTCH5-400	48
14	*****	Quick Coupler - 5 Run (Refer to Quick Coupler Assembly for details)	4
15	N66339	Distribution Pipe Support Bracket - 2 pipe - Wing - Wing	6
16	N66359	Distribution Pipe Clamp - 2 pipe - Wing - Wing	2
17	W-187	Hex Bolt - 3/8 x 1 1/4 Lg.....	28
18	S-1299	Hex Bolt - 3/8 x 4 1/2 Lg (Refer to Divider Head Assembly for details)	8
19	BW-10	Hex Bolt - 3/4 x 1 3/4 Lg.....	2
20	C-3932	U-Bolt - 1/2 x 4 x 7 1/4 UL.....	8
21	H25628	U-Bolt - 1/2 x 6 1/16 x 9 3/8 UL.....	1
22	S39649	U-Bolt - 5/8 x 4 x 7 3/4 UL.....	2
23	S27987	Locknut - 3/8 Center Lock.....	28
24	W-516	Nut - 1/2	18
25	W-517	Nut - 5/8	4
26	W-518	Nut - 3/4	2
27	W-525	Lockwasher - 1/2.....	18
28	W-526	Lockwasher - 5/8.....	4
29	W-527	Lockwasher - 3/4.....	2
30	R480034	Hose - .929 ID x 1.169 OD/ft (75 ft roll) 10"SP-1650 ft . . 12"SP-1350 ft . . 15"SP-1125 ft .	
31	R480055	Hose - 2 1/2 ID/ft Goodyear (100 ft rolls) (Air Cart side of couplers)	225
32	R480060	Hose - 3 ID/ft (100 ft rolls)	325
33	N66092	Primary Pipe SS - 3 x 72 Lg.....	4
34	N64094	Primary Pipe SS - 3 x 96 Lg.....	4
35	N66374	Distribution Hose Clamp - Wing - 3 5/8 Dia	2
36	N66375	Distribution Hose Support Bracket - Wing - 3 5/8 Dia	2
37	N66395	Primary Hose Guide Plate - Wing	2
38	N66775	Distribution Pipe Spacer - 6 pipe - Wing	4
39	N66855	Distribution Pipe Clamp - 2 pipe - Wing	4
40	N67200	Head Mounting Bracket - 30 Degree - Left (shown).....	1
40A	N67202	Head Mounting Bracket - 30 Degree - Right	1
41	N50842	Bushings - .385 ID x 5/8 OD x 3 1/4 Lg	8
42	N19723	U-Bolt - 3/8 x 4 1/16 x 6 15/16 UL	8

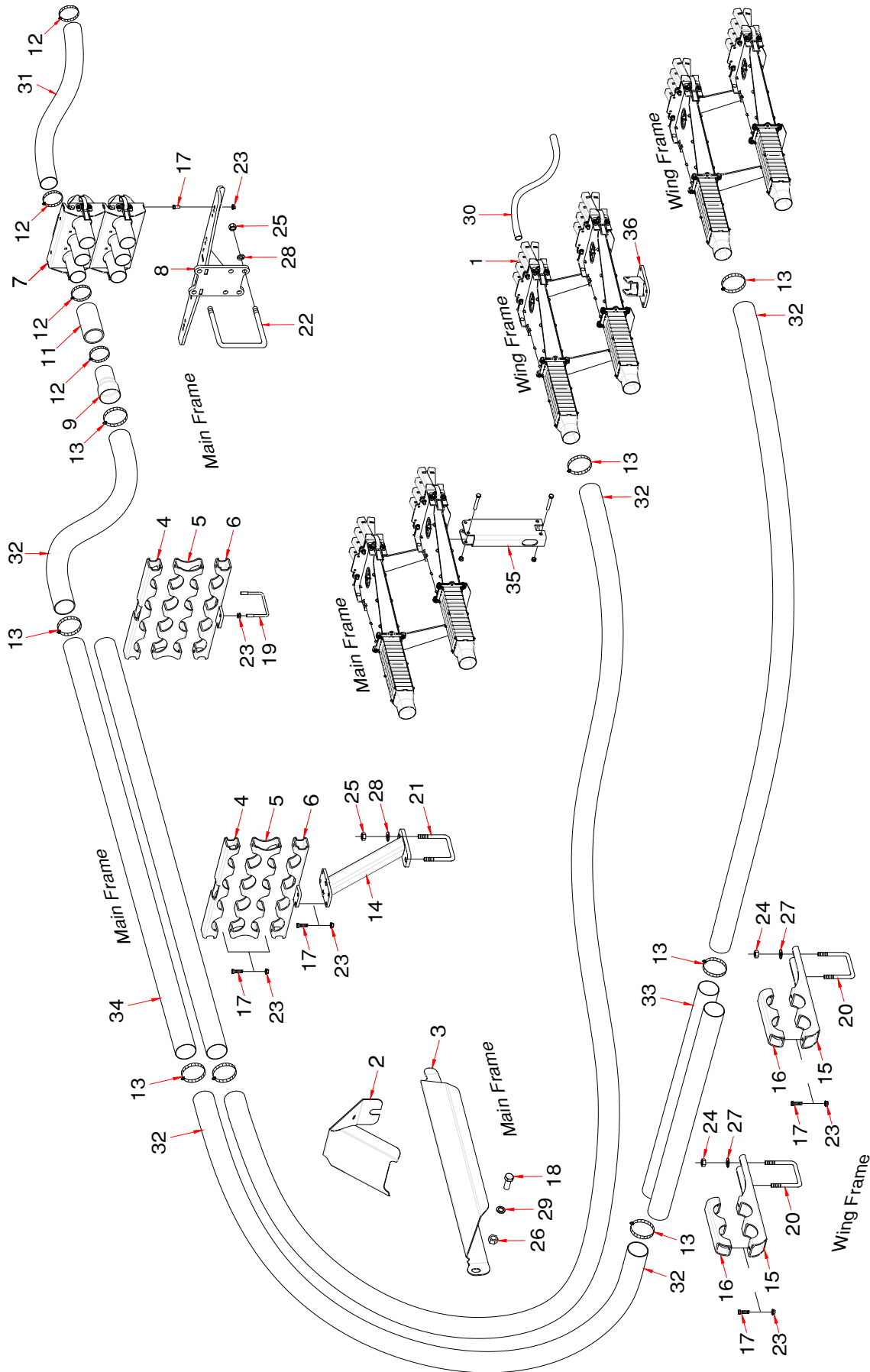
Dual Shoot - Stacked Heads - Tow Between - Prior to 2023
70 ft - 21m - 9 primaries - 10, 12 and 15 inch (250 - 300 - 380mm) Spacing



Dual Shoot Stacked Heads Tow Between - 70 ft - 21m - 9 primaries - Prior to 2023

Item	Part No.	Description	Qty
1	*****	For 10, 12 and 15 inch - 250mm, 300mm and 380mm spacing Divider Head Assembly (Refer to Divider Head Assembly for details) 10" spacing uses: N66509 - Divider Head Assembly - 9 Outlet N66510 - Divider Head Assembly - 10 Outlet..... 12" spacing uses: N66507 - Divider Head Assembly - 7 Outlet N66508 - Divider Head Assembly - 8 Outlet 15" spacing uses: N66506 - Divider Head Assembly - 6 Outlet N66507 - Divider Head Assembly - 7 Outlet	12 6 4 14 14 4
2	S67250	Primary Hose Deflector	2
3	S66430	Primary Hose Hose Suport - Main - Left side (shown)	1
	S66435	Primary Hose Hose Suport - Main - Right side	1
4	S65390	Divider Head Pedestal - Main Frame	1
5	N67245	Primary Hose Hose Suport - Between	1
6	N67274	Spacer Plate	1
7	N67275	Kit - Primary Hose Hose Suport - Between (Includes items 5, 6, 21, 24 and 27)	
8	N66234	Coupler Tower - Between	1
9	N64095	Primary Hose Adapter	18
10	N37920	Equalizer	0
11	N19428	Hose - 2.54 ID x 2.79 OD x 5 Lg.....	18
12	N11905	Hose Clamp - 2 1/2 - HC5-44 (Air Cart side uses 36).....	108
13	N64099	Hose Clamp - 3 - SSTCH5-400	68
14	*****	Quick Coupler - 5 Run (Refer to Quick Coupler Assembly for details)	4
15	N66339	Distribution Pipe Support Bracket - Wing	10
16	N66359	Distribution Pipe Clamp - Wing	4
17	W-187	Hex Bolt - 3/8 x 1 1/4 Lg.....	40
18	W-480	Hex Bolt - 3/8 x 2 1/2 Lg (Refer to Divider Head Assembly for details)	2
19	BW-10	Hex Bolt - 3/4 x 1 3/4 Lg.....	2
20	C-3932	U-Bolt - 1/2 x 4 x 7 1/4 UL.....	10
21	H25628	U-Bolt - 1/2 x 6 1/16 x 9 3/8 UL.....	1
22	S39649	U-Bolt - 5/8 x 4 x 7 3/4 UL.....	2
23	S27987	Locknut - 3/8 Center Lock.....	40
24	W-516	Hex Nut - 1/2.....	22
25	W-517	Hex Nut - 5/8.....	4
26	W-518	Hex Nut - 3/4.....	2
27	W-525	Lockwasher - 1/2.....	22
28	W-526	Lockwasher - 5/8.....	4
29	W-527	Lockwasher - 3/4.....	2
30	R480034	Hose - .929 ID x 1.169 OD/ft (75 ft roll) 10"SP-1875 ft . . 12"SP-1500 ft . . 15"SP-1275 ft.	
31	R480055	Hose - 2 1/2 ID/ft Goodyear (100 ft rolls) (Air Cart side of couplers)	250
32	R480060	Hose - 3 ID/ft (100 ft rolls)	400
33	N66396	Primary Pipe SS - 3 x 48 Lg.....	4
34	N64092	Primary Pipe SS - 3 x 72 Lg.....	4
35	N64096	Primary Pipe SS - 3 x 120 Lg.....	8
36	N66395	Primary Hose Guide Plate.....	2
37	N66775	Distribution Pipe Spacer - 6 pipe - Wing	6
38	N66855	Distribution Pipe Clamp - 2 pipe - Wing	2
39	N66860	Distribution Pipe Clamp - 4 pipe - Wing	4
40	N67640	Head Mounting Bracket - Straight	2
41	N19723	U-Bolt - 3/8 x 4 1/16 x 6 15/16 UL	8

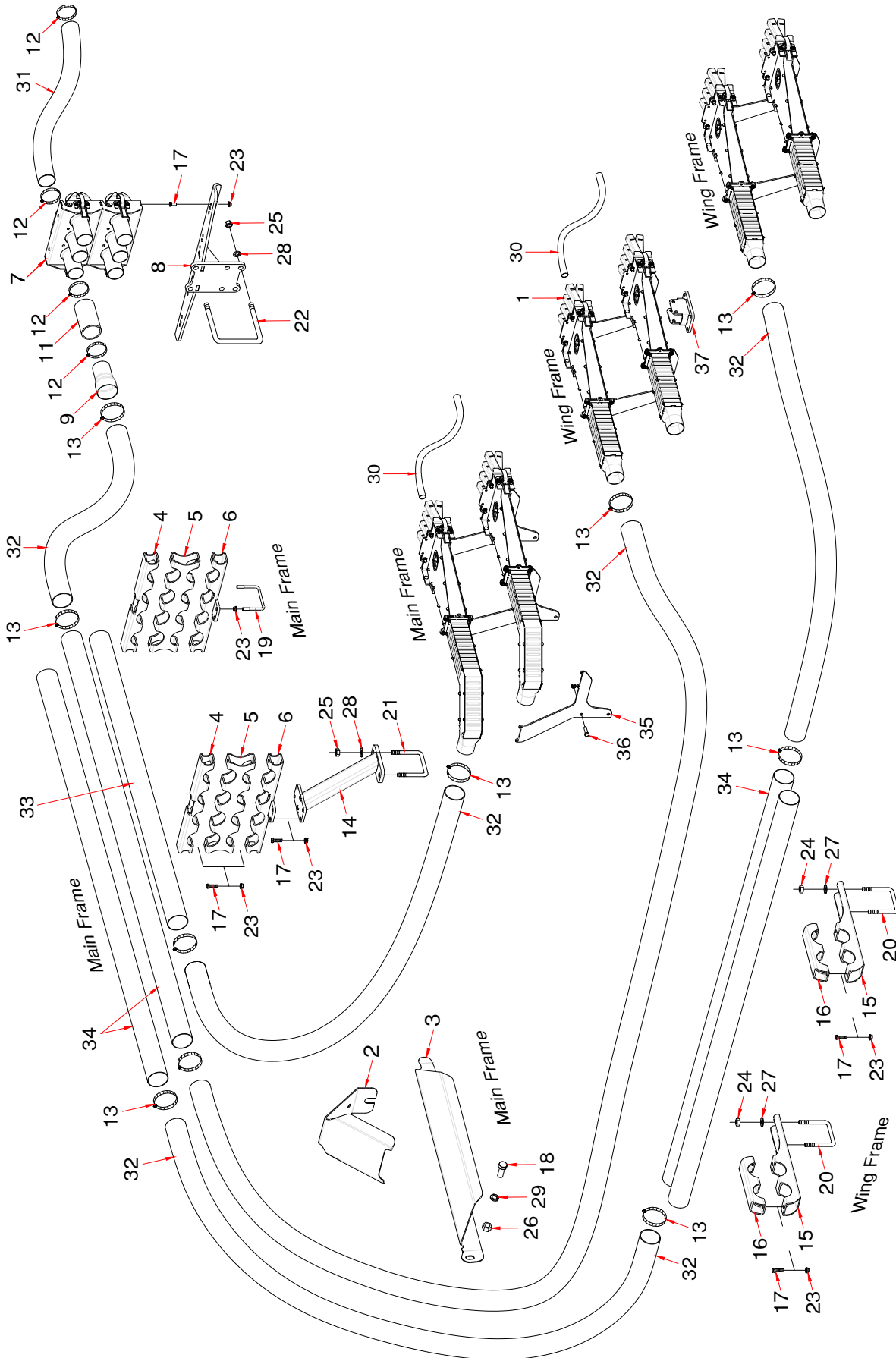
Dual Shot - Offset Heads - Tow Behind - 2023 to Present
40 ft - 12m - 5 primaries - 12 and 15 inch (300 - 380mm) Spacing



Dual Shoot Offset Heads Tow Behind - 40 ft - 12m - 5 primaries - 2023 to Present

Item	Part No.	Description	Qty
1	*****	For 12 and 15 inch - 300mm and 380mm spacing Divider Head Assembly (Refer to Divider Head Assembly for details) 12" spacing uses: N66508 - Divider Head Assembly - 8 Outlet 15" spacing uses: N66506 - Divider Head Assembly - 6 Outlet N66507 - Divider Head Assembly - 7 Outlet	10 6 4
2	S67250	Primary Hose Deflector	2
3	S66430	Primary Hose Hose Suport - Main - Left side (shown)	1
	S66435	Primary Hose Hose Suport - Main - Right side	1
4	N66321	Distribution Pipe Clamp - Main	4
5	N66322	Distribution Pipe Spacer - Main	4
6	N66335	Distribution Pipe Clamp Bracket - Main	4
7	*****	Quick Coupler - 3 Run (Refer to Quick Coupler Assembly for details)	4
8	N53203	Coupler Tower - Behind	1
9	N64095	Primary Hose Adapter	20
10	*****		
11	N19428	Hose - 2.54 ID x 2.79 OD x 5 Lg.....	20
12	N11905	Hose Clamp - 2 1/2 - HC5-44 (Air Cart side uses 20).....	60
13	N64099	Hose Clamp - 3 - SSTCH5-400 (Range 3 1/8 - 3 3/4)	44
14	N66325	Distribution Pipe Stand - Main	2
15	N66339	Distribution Pipe Support Bracket - 2 pipe - Wing	4
16	N66359	Distribution Pipe Clamp - 2 pipe - Wing	4
17	W-187	Hex Bolt - 3/8 x 1 1/4 Lg.....	40
18	BW-10	Hex Bolt - 3/4 x 1 3/4 Lg.....	2
19	D-4932	U-Bolt - 3/8 x 4 1/8 x 3 UL.....	4
20	C-3932	U-Bolt - 1/2 x 4 x 7 1/4 UL.....	4
21	S39649	U-Bolt - 5/8 x 4 x 7 3/4 UL.....	2
22	F-4642	U-Bolt - 5/8 x 6 x 5 1/2 UL.....	2
23	S27987	Locknut - 3/8 Center Lock.....	48
24	W-516	Nut - 1/2	8
25	W-517	Nut - 5/8	8
26	W-518	Nut - 3/4	2
27	W-525	Lockwasher - 1/2.....	8
28	W-526	Lockwasher - 5/8.....	8
29	W-527	Lockwasher - 3/4.....	2
30	R480034	Hose - .929 ID x 1.169 OD/ft (75 ft roll) . . .12"SP-900 ft . . .15"SP-750 ft	
	N73085	Hose - 1 ID x 1.250 OD (100 ft roll) - 2023 to 2025	
	N75770	Hose - 1 ID x 1.250 OD (100 ft roll) - RED (Fertilizer) - 2026 to Present	
	N75771	Hose - 1 ID x 1.250 OD (100 ft roll) - BLACK (Seed) - 2026 to Present	
31	N69294	Hose - 2 1/2 ID x 100 ft roll - Black (Air Cart side of couplers) (Seed)	200ft
	N72592	Hose - 2 1/2 ID x 100 ft roll - Red (Air Cart side of couplers) (Fertilizer)	
32	N75812	Hose - 3 ID x 100 ft roll - Black - (Seed).....	175ft
	N75813	Hose - 3 ID x 100 ft roll - Red - (Fertilizer)	
33	N66396	Primary Pipe SS - 3 x 48 Lg.....	4
34	N64094	Primary Pipe SS - 3 x 96 Lg.....	8
35	S65390	Divider Head Pedestal - Main Frame	1
36	N67202	Head Mounting Bracket - 30 Degree - Right (shown)	1
36A	N67200	Head Mounting Bracket - 30 Degree - Left.....	1

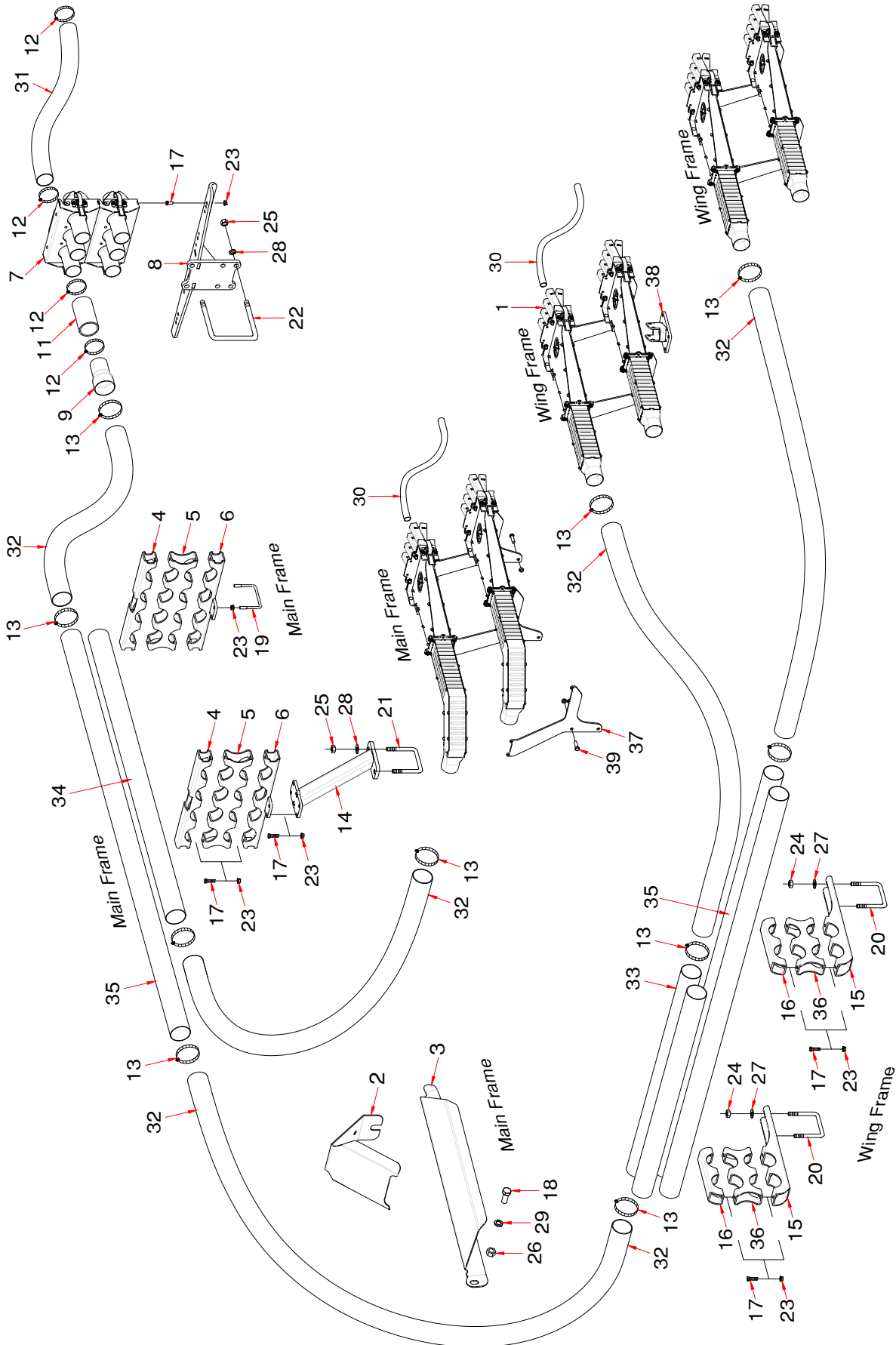
Dual Shot - Offset Heads - Tow Behind - 2023 to Present
40 ft - 12m - 6 primaries - 10 inch (250mm) Spacing



Dual Shoot Offset Heads Tow Behind - 40 ft -12m - 6 primaries - 2023 to Present

Item	Part No.	Description	Qty
1	*****	For 10 inch - 250mm spacing Divider Head Assembly (Refer to Divider Head Assembly for details) 10" spacing uses: N66508 - Divider Head Assembly - 8 Outlet	12
2	S67250	Primary Hose Deflector	2
3	S66430	Primary Hose Hose Suport - Main - Left side (shown)	1
	S66435	Primary Hose Hose Suport - Main - Right side	1
4	N66321	Distribution Pipe Clamp - Main	4
5	N66322	Distribution Pipe Spacer - Main	4
6	N66335	Distribution Pipe Clamp Bracket - Main	4
7	*****	Quick Coupler - 3 Run (Refer to Quick Coupler Assembly for details)	4
8	N53203	Coupler Tower - Behind	1
9	N64095	Primary Hose Adapter	24
10	*****		
11	N19428	Hose - 2.54 ID x 2.79 OD x 5 Lg.....	24
12	N11905	Hose Clamp - 2 1/2 - HC5-44 (Air Cart side uses 24).....	72
13	N64099	Hose Clamp - 3 - SSTCH5-400 (Range 3 1/8 - 3 3/4)	54
14	N66325	Distribution Pipe Stand - Main	2
15	N66339	Distribution Pipe Support Bracket - 2 pipe - Wing	4
16	N66359	Distribution Pipe Clamp - 2 pipe - Wing	4
17	W-187	Hex Bolt - 3/8 x 1 1/4 Lg.....	40
18	BW-10	Hex Bolt - 3/4 x 1 3/4 Lg.....	2
19	D-4932	U-Bolt - 3/8 x 4 1/8 x 3 UL.....	4
20	C-3932	U-Bolt - 1/2 x 4 x 7 1/4 UL.....	4
21	S39649	U-Bolt - 5/8 x 4 x 7 3/4 UL.....	2
22	F-4642	U-Bolt - 5/8 x 6 x 5 1/2 UL.....	2
23	S27987	Locknut - 3/8 Center Lock.....	48
24	W-516	Nut - 1/2	8
25	W-517	Nut - 5/8	8
26	W-518	Nut - 3/4	2
27	W-525	Lockwasher - 1/2.....	8
28	W-526	Lockwasher - 5/8.....	8
29	W-527	Lockwasher - 3/4.....	2
30	R480034	Hose - .929 ID x 1.169 OD/ft (75 ft roll)	1125
	N73085	Hose - 1 ID x 1.250 OD (100 ft roll) - 2023 to 2025	
	N75770	Hose - 1 ID x 1.250 OD (100 ft roll) - RED (Fertilizer) - 2026 to Present	
	N75771	Hose - 1 ID x 1.250 OD (100 ft roll) - BLACK (Seed) - 2026 to Present	
31	N69294	Hose - 2 1/2 ID x 100 ft roll - Black (Air Cart side of couplers) (Seed)	250ft
	N72592	Hose - 2 1/2 ID x 100 ft roll - Red (Air Cart side of couplers) (Fertilizer)	
32	N75812	Hose - 3 ID x 100 ft roll - Black - (Seed).....	175ft
	N75813	Hose - 3 ID x 100 ft roll - Red - (Fertilizer)	
33	N64092	Primary Pipe SS - 3 x 72 Lg.....	4
34	N64094	Primary Pipe SS - 3 x 96 Lg.....	12
35	N72719	Offset Head Mounting Plate - Main Frame	4
36	W-187	Hex Bolt - 3/8 x 1 1/4 Lg.....	8
37	N67640	Head Mounting Bracket - Straight	1

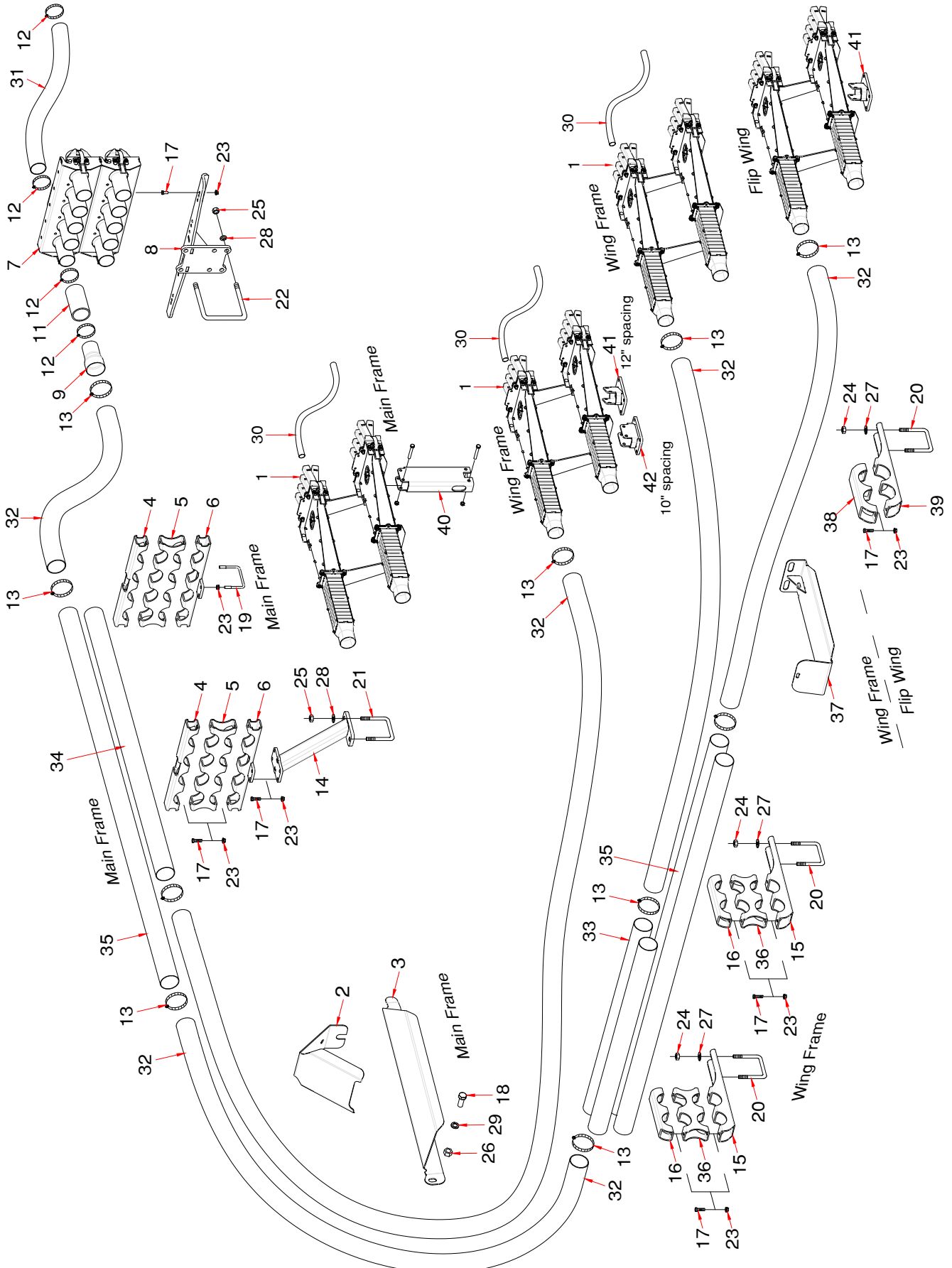
Dual Shot - Offset Heads - Tow Behind - 2023 to Present
50 ft - 15m - 6 primaries - 15 inch (380mm) Spacing



Dual Shoot Offset Heads Tow Behind - 50 ft - 15m - 6 primaries - 2023 to Present

Item	Part No.	Description	Qty
1	*****	For 15 inch - 380mm spacing Divider Head Assembly (Refer to Divider Head Assembly for details) 15" spacing uses: N66506 - Divider Head Assembly - 6 Outlet N66507 - Divider Head Assembly - 7 Outlet	4 8
2	S67250	Primary Hose Deflector	2
3	S66430	Primary Hose Hose Suport - Main - Left side (shown)	1
	S66435	Primary Hose Hose Suport - Main - Right side	1
4	N66321	Distribution Pipe Clamp - Main	4
5	N66322	Distribution Pipe Spacer - Main	4
6	N66335	Distribution Pipe Clamp Bracket - Main	4
7	*****	Quick Coupler - 3 Run (Refer to Quick Coupler Assembly for details)	4
8	N53203	Coupler Tower - Behind	1
9	N64095	Primary Hose Adapter	24
10	*****		
11	N19428	Hose - 2.54 ID x 2.79 OD x 5 Lg.....	24
12	N11905	Hose Clamp - 2 1/2 - HC5-44 (Air Cart side uses 24).....	72
13	N64099	Hose Clamp - 3 - SSTCH5-400 (Range 3 1/8 - 3 3/4)	64
14	N66325	Distribution Pipe Stand - Main	2
15	N66339	Distribution Pipe Support Bracket - 2 pipe - Wing	4
16	N66359	Distribution Pipe Clamp - 2 pipe - Wing	4
17	W-187	Hex Bolt - 3/8 x 1 1/4 Lg.....	44
18	BW-10	Hex Bolt - 3/4 x 1 3/4 Lg.....	2
19	D-4932	U-Bolt - 3/8 x 4 1/8 x 3 UL.....	4
20	C-3932	U-Bolt - 1/2 x 4 x 7 1/4 UL.....	4
21	S39649	U-Bolt - 5/8 x 4 x 7 3/4 UL.....	2
22	F-4642	U-Bolt - 5/8 x 6 x 5 1/2 UL.....	2
23	S27987	Locknut - 3/8 Center Lock.....	52
24	W-516	Nut - 1/2	8
25	W-517	Nut - 5/8	8
26	W-518	Nut - 3/4	2
27	W-525	Lockwasher - 1/2.....	8
28	W-526	Lockwasher - 5/8.....	8
29	W-527	Lockwasher - 3/4.....	2
30	R480034	Hose - .929 ID x 1.169 OD/ft (75 ft roll)	900
	N73085	Hose - 1 ID x 1.250 OD (100 ft roll) - 2023 to 2025	
	N75770	Hose - 1 ID x 1.250 OD (100 ft roll) - RED (Fertilizer) - 2026 to Present	
	N75771	Hose - 1 ID x 1.250 OD (100 ft roll) - BLACK (Seed) - 2026 to Present	
31	N69294	Hose - 2 1/2 ID x 100 ft roll - Black (Air Cart side of couplers) (Seed)	250ft
	N72592	Hose - 2 1/2 ID x 100 ft roll - Red (Air Cart side of couplers) (Fertilizer)	
32	N75812	Hose - 3 ID x 100 ft roll - Black - (Seed).....	300ft
	N75813	Hose - 3 ID x 100 ft roll - Red - (Fertilizer)	
33	N66396	Primary Pipe SS - 3 x 48 Lg.....	4
34	N64092	Primary Pipe SS - 3 x 72 Lg.....	4
35	N64094	Primary Pipe SS - 3 x 96 Lg.....	12
36	N66358	Distribution Pipe Spacer - 2 pipe - Wing	4
37	N72719	Offset Head Mounting Plate - Main Frame	4
38	N67202	Head Mounting Bracket - 30 Degree - Right (shown)	1
38A	N67200	Head Mounting Bracket - 30 Degree - Left.....	1
39	W-187	Hex Bolt - 3/8 x 1 1/4 Lg.....	8

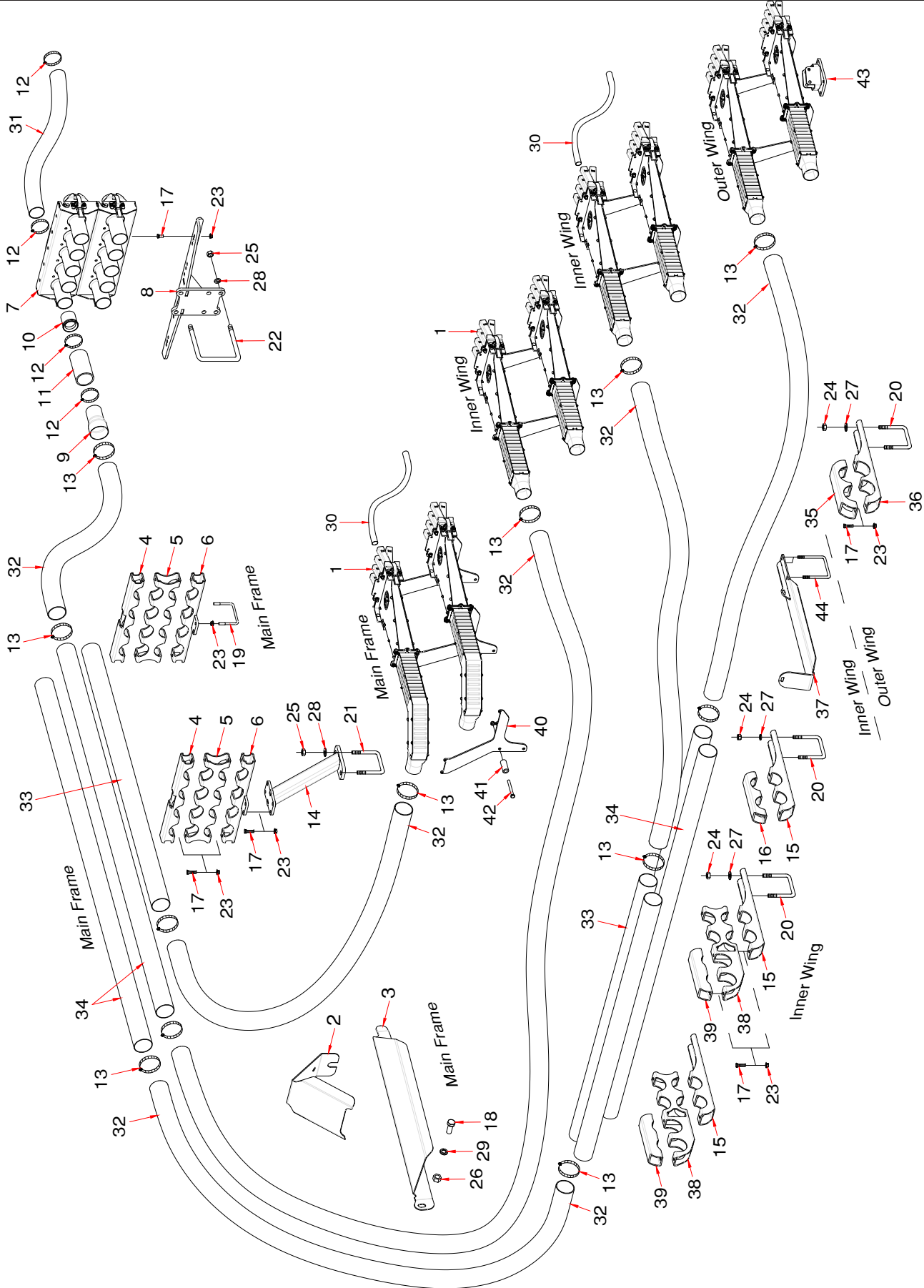
Dual Shot - Offset Heads - Tow Behind - 2023 to Present
50 ft - 15m - 7 primaries - 10 and 12 inch (250 - 300mm) Spacing



Dual Shoot Offset Heads Tow Behind - 50 ft - 15m - 7 primaries - 2023 to Present

Item	Part No.	Description	Qty
1	*****	For 10 and 12 inch - 250mm and 300mm spacing Divider Head Assembly (Refer to Divider Head Assembly for details) 10" spacing uses: N66508 - Divider Head Assembly - 8 Outlet 6 N66509 - Divider Head Assembly - 9 Outlet 8 12" spacing uses: N66507 - Divider Head Assembly - 7 Outlet 12 N66508 - Divider Head Assembly - 8 Outlet 2	
2	S67250	Primary Hose Deflector 2	2
3	S66430	Primary Hose Hose Suport - Main - Left side (shown) 1	1
	S66435	Primary Hose Hose Suport - Main - Right side 1	1
4	N66321	Distribution Pipe Clamp - Main 4	4
5	N66322	Distribution Pipe Spacer - Main 4	4
6	N66335	Distribution Pipe Clamp Bracket - Main 4	4
7	*****	Quick Coupler - 5 Run (Refer to Quick Coupler Assembly for details) 4	4
8	N53203	Coupler Tower - Behind 1	1
9	N64095	Primary Hose Adapter 28	28
10	*****		
11	N19428	Hose - 2.54 ID x 2.79 OD x 5 Lg..... 28	28
12	N11905	Hose Clamp - 2 1/2 - HC5-44 (Air Cart side uses 28) 84	84
13	N64099	Hose Clamp - 3 - SSTCH5-400 (Range 3 1/8 - 3 3/4) 68	68
14	N66325	Distribution Pipe Stand - Main 2	2
15	N66339	Distribution Pipe Support Bracket - 2 pipe - Wing 4	4
16	N66359	Distribution Pipe Clamp - 2 pipe - Wing 4	4
17	W-187	Hex Bolt - 3/8 x 1 1/4 Lg..... 48	48
18	BW-10	Hex Bolt - 3/4 x 1 3/4 Lg..... 2	2
19	D-4932	U-Bolt - 3/8 x 4 1/8 x 3 UL..... 4	4
20	C-3932	U-Bolt - 1/2 x 4 x 7 1/4 UL..... 12	12
21	S39649	U-Bolt - 5/8 x 4 x 7 3/4 UL..... 2	2
22	F-4642	U-Bolt - 5/8 x 6 x 5 1/2 UL..... 2	2
23	S27987	Locknut - 3/8 Center Lock..... 56	56
24	W-516	Nut - 1/2 24	24
25	W-517	Nut - 5/8 8	8
26	W-518	Nut - 3/4 2	2
27	W-525	Lockwasher - 1/2..... 24	24
28	W-526	Lockwasher - 5/8..... 8	8
29	W-527	Lockwasher - 3/4..... 2	2
30	R480034	Hose - .929 ID x 1.169 OD/ft (75 ft roll) . . . 10"SP-1350 ft . . . 12"SP-1125 ft	
	N73085	Hose - 1 ID x 1.250 OD (100 ft roll) - 2023 to 2025	
	N75770	Hose - 1 ID x 1.250 OD (100 ft roll) - RED (Fertilizer) - 2026 to Present	
	N75771	Hose - 1 ID x 1.250 OD (100 ft roll) - BLACK (Seed) - 2026 to Present	
31	N69294	Hose - 2 1/2 ID x 100 ft roll - Black (Air Cart side of couplers) (Seed) 300ft	300ft
	N72592	Hose - 2 1/2 ID x 100 ft roll - Red (Air Cart side of couplers) (Fertilizer)	
32	N75812	Hose - 3 ID x 100 ft roll - Black - (Seed)..... 300ft	300ft
	N75813	Hose - 3 ID x 100 ft roll - Red - (Fertilizer)	
33	N66396	Primary Pipe SS - 3 x 48 Lg..... 4	4
34	N64092	Primary Pipe SS - 3 x 72 Lg..... 4	4
35	N64094	Primary Pipe SS - 3 x 96 Lg..... 12	12
36	N66358	Distribution Pipe Spacer - 2 pipe - Wing 4	4
37	N67295	Primary Hose Guide Plate - Wing 2	2
38	N66374	Distribution Hose Clamp - Wing - 3 5/8 Dia 2	2
39	N66375	Distribution Hose Support Bracket - Wing - 3 5/8 Dia 2	2
40	S65390	Divider Head Pedestal - Main Frame 1	1
41	N67202	Head Mounting Bracket - 30 Degree - Right (shown) 1	1
41A	N67200	Head Mounting Bracket - 30 Degree - Left..... 1	1
42	N67640	Head Mounting Bracket - Straight (10 inch spacing) 2	2

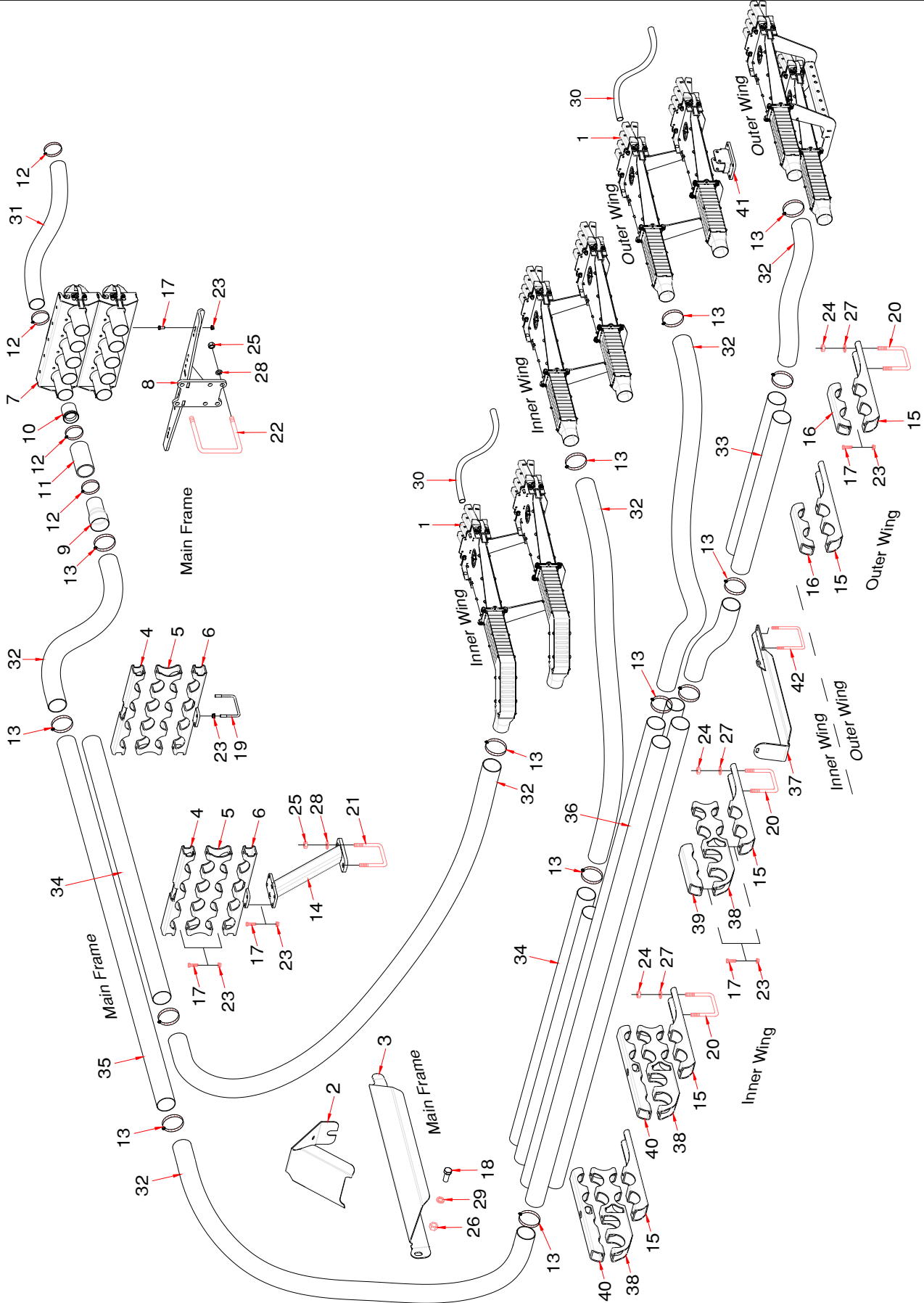
Dual Shot - Offset Heads - Tow Behind - 2023 to Present
60 ft - 18m - 8 primaries - 10, 12 and 15 inch (250 - 300 - 380mm) Spacing



Dual Shoot Offset Heads Tow Behind - 60 ft - 18m - 8 primaries

Item	Part No.	Description	Qty
1	*****	For 10, 12 and 15 inch - 250mm, 300mm and 380mm spacing Divider Head Assembly (Refer to Divider Head Assembly for details) 10" spacing uses: N66509 - Divider Head Assembly - 9 Outlet 16 12" spacing uses: N66507 - Divider Head Assembly - 7 Outlet 8 N66508 - Divider Head Assembly - 8 Outlet 8 15" spacing uses 8 # 6 heads N66506 - Divider Head Assembly - 6 Outlet 16	
2	S67250	Primary Hose Deflector 2	2
3	S66430	Primary Hose Hose Suport - Main - Left side (shown) 1	1
	S66435	Primary Hose Hose Suport - Main - Right side 1	1
4	N66321	Distribution Pipe Clamp - Main 4	4
5	N66322	Distribution Pipe Spacer - Main 4	4
6	N66335	Distribution Pipe Clamp Bracket - Main 4	4
7	*****	Quick Coupler - 5 Run (Refer to Quick Coupler Assembly for details) 4	4
8	N53203	Coupler Tower - Behind 1	1
9	N64095	Primary Hose Adapter 32	32
10	N37920	Equalizer 0	0
11	N19428	Hose - 2.54 ID x 2.79 OD x 5 Lg..... 32	32
12	N11905	Hose Clamp - 2 1/2 - HC5-44 (Air Cart side uses 32)..... 96	96
13	N64099	Hose Clamp - 3 - SSTCH5-400 (Range 3 1/8 - 3 3/4) 80	80
14	N66325	Distribution Pipe Stand - Main 2	2
15	N66339	Distribution Pipe Support Bracket - 2 pipe - Wing - Wing 6	6
16	N66359	Distribution Pipe Clamp - 2 pipe - Wing - Wing 2	2
17	W-187	Hex Bolt - 3/8 x 1 1/4 Lg..... 52	52
18	BW-10	Hex Bolt - 3/4 x 1 3/4 Lg..... 2	2
19	D-4932	U-Bolt - 3/8 x 4 1/8 x 3 UL..... 4	4
20	C-3932	U-Bolt - 1/2 x 4 x 7 1/4 UL..... 8	8
21	S39649	U-Bolt - 5/8 x 4 x 7 3/4 UL..... 2	2
22	F-4642	U-Bolt - 5/8 x 6 x 5 1/2 UL..... 2	2
23	S27987	Locknut - 3/8 Center Lock..... 60	60
24	W-516	Nut - 1/2 16	16
25	W-517	Nut - 5/8 8	8
26	W-518	Nut - 3/4 2	2
27	W-525	Lockwasher - 1/2..... 16	16
28	W-526	Lockwasher - 5/8..... 8	8
29	W-527	Lockwasher - 3/4..... 2	2
30	R480034	Hose - .929 ID x 1.169 OD/ft (75 ft roll) 10"SP-1650 ft . . 12"SP-1350 ft . . 15"SP-1125 ft.	
	N73085	Hose - 1 ID x 1.250 OD (100 ft roll) - 2023 to 2025	
	N75770	Hose - 1 ID x 1.250 OD (100 ft roll) - RED (Fertilizer) - 2026 to Present	
	N75771	Hose - 1 ID x 1.250 OD (100 ft roll) - BLACK (Seed) - 2026 to Present	
31	N69294	Hose - 2 1/2 ID x 100 ft roll - Black (Air Cart side of couplers) (Seed) 325ft	325ft
	N72592	Hose - 2 1/2 ID x 100 ft roll - Red (Air Cart side of couplers) (Fertilizer)	
32	N75812	Hose - 3 ID x 100 ft roll - Black - (Seed) 275ft	275ft
	N75813	Hose - 3 ID x 100 ft roll - Red - (Fertilizer)	
33	N64092	Primary Pipe SS - 3 x 72 Lg..... 8	8
34	N64094	Primary Pipe SS - 3 x 96 Lg..... 16	16
35	N66374	Distribution Hose Clamp - Wing - 3 5/8 Dia 2	2
36	N66375	Distribution Hose Support Bracket - Wing - 3 5/8 Dia 2	2
37	N66395	Primary Hose Guide Plate - Wing 2	2
38	N66775	Distribution Pipe Spacer - 6 pipe - Wing 4	4
39	N66855	Distribution Pipe Clamp - 2 pipe - Wing 4	4
40	N72719	Offset Head Mounting Plate - Main Frame 4	4
41	N50842	Bushings - .385 ID x 5/8 OD x 3 1/4 Lg 8	8
42	S-1299	Hex Bolt - 3/8 x 4 1/2 Lg..... 8	8
43	N67200	Head Mounting Bracket - 30 Degree - Left (shown)..... 1	1
43A	N67202	Head Mounting Bracket - 30 Degree - Right..... 1	1
44	N19723	U-Bolt - 3/8 x 4 1/16 x 6 15/16 UL..... 8	8

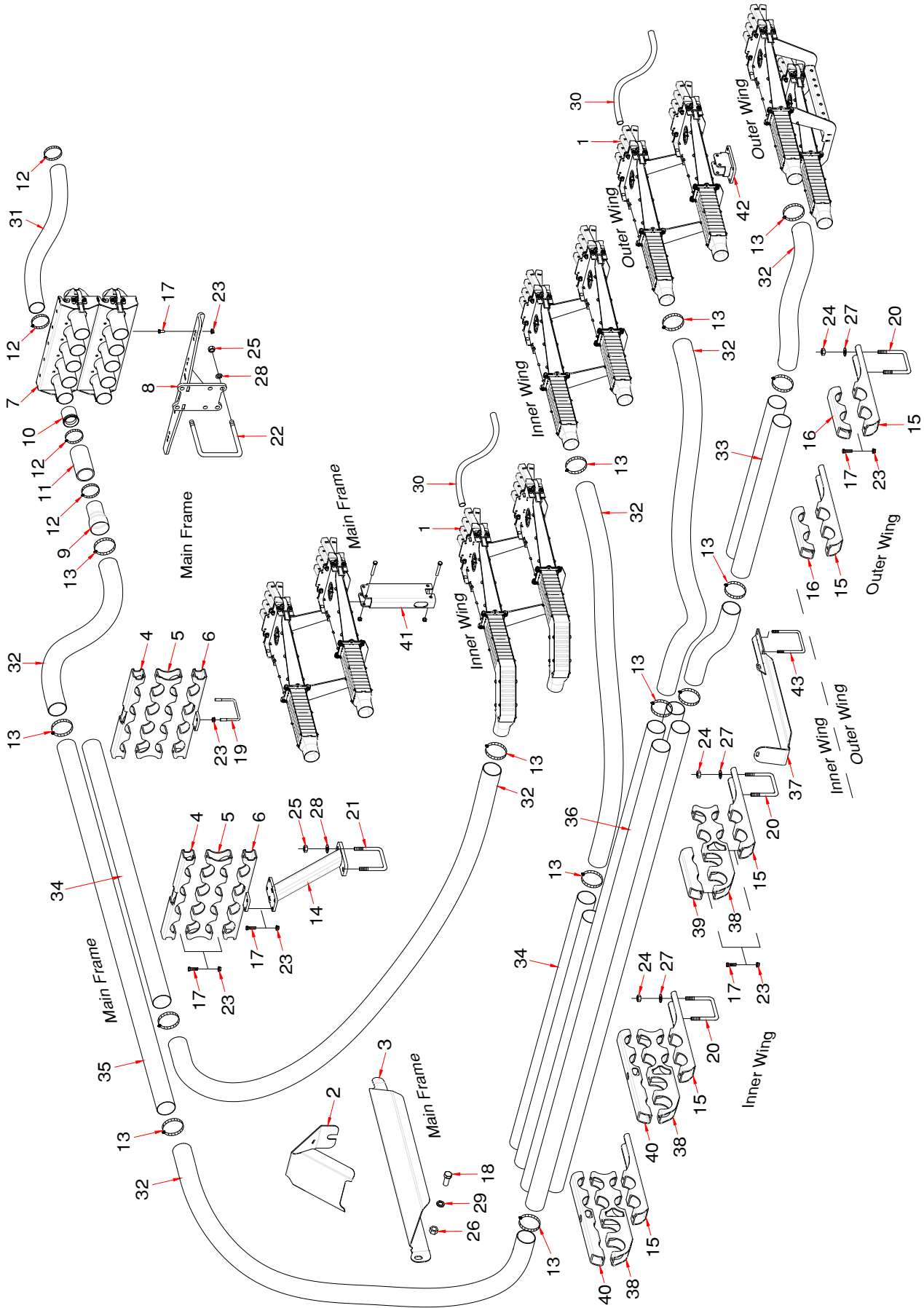
Dual Shot - Offset Heads - Tow Behind - 2023 to Present
70 ft - 21m - 8 primaries - 10, 12 and 15 inch (250 - 300 - 380mm) Spacing



Dual Shoot Offset Heads Tow Behind - 70 ft - 21m - 8 primaries

Item	Part No.	Description	Qty
1	*****	For 10, 12 and 15 inch - 250mm, 300mm and 380mm spacing Divider Head Assembly (Refer to Divider Head Assembly for details) 10" spacing uses: N/A N66510 - Divider Head Assembly - 10 Outlet..... 8 * N/A * - Divider Head Assembly - 11 Outlet 8 12" spacing uses: N66508 - Divider Head Assembly - 8 Outlet 4 N66509 - Divider Head Assembly - 9 Outlet 12 15" spacing uses: N66507 - Divider Head Assembly - 7 Outlet 16	
2	S67250	Primary Hose Deflector	2
3	S66430	Primary Hose Hose Suport - Main - Left side (shown)	1
	S66435	Primary Hose Hose Suport - Main - Right side	1
4	N66321	Distribution Pipe Clamp - Main	4
5	N66322	Distribution Pipe Spacer - Main	4
6	N66335	Distribution Pipe Clamp Bracket - Main	4
7	*****	Quick Coupler - 5 Run (Refer to Quick Coupler Assembly for details)	4
8	N53203	Coupler Tower - Behind	1
9	N64095	Primary Hose Adapter	16
10	N37920	Equalizer	0
11	N19428	Hose - 2.54 ID x 2.79 OD x 5 Lg.....	16
12	N11905	Hose Clamp - 2 1/2 - HC5-44 (Air Cart side uses 36).....	104
13	N64099	Hose Clamp - 3 - SSTCH5-400 (Range 3 1/8 - 3 3/4)	66
14	N66325	Distribution Pipe Stand - Main	2
15	N66339	Distribution Pipe Support Bracket - Wing	10
16	N66359	Distribution Pipe Clamp - Wing	4
17	W-187	Hex Bolt - 3/8 x 1 1/4 Lg.....	64
18	BW-10	Hex Bolt - 3/4 x 1 3/4 Lg.....	2
19	D-4932	U-Bolt - 3/8 x 4 1/8 x 3 UL.....	4
20	C-3932	U-Bolt - 1/2 x 4 x 7 1/4 UL.....	10
21	S39649	U-Bolt - 5/8 x 4 x 7 3/4 UL.....	2
22	F-4642	U-Bolt - 5/8 x 6 x 5 1/2 UL.....	2
23	S27987	Locknut - 3/8 Center Lock.....	72
24	W-516	Nut - 1/2	20
25	W-517	Nut - 5/8	8
26	W-518	Nut - 3/4	2
27	W-525	Lockwasher - 1/2.....	20
28	W-526	Lockwasher - 5/8.....	8
29	W-527	Lockwasher - 3/4.....	2
30	R480034	Hose - .929 ID x 1.169 OD/ft (75 ft roll) 10"SP-1875 ft . . 12"SP-1500 ft . . 15"SP-1275 ft.	
	N73085	Hose - 1 ID x 1.250 OD (100 ft roll) - 2023 to 2025	
	N75770	Hose - 1 ID x 1.250 OD (100 ft roll) - RED (Fertilizer) - 2026 to Present	
	N75771	Hose - 1 ID x 1.250 OD (100 ft roll) - BLACK (Seed) - 2026 to Present	
31	N69294	Hose - 2 1/2 ID x 100 ft roll - Black (Air Cart side of couplers) (Seed)	375ft
	N72592	Hose - 2 1/2 ID x 100 ft roll - Red (Air Cart side of couplers) (Fertilizer)	
32	N75812	Hose - 3 ID x 100 ft roll - Black - (Seed)	350ft
	N75813	Hose - 3 ID x 100 ft roll - Red - (Fertilizer)	
33	N66396	Primary Pipe SS - 3 x 48 Lg.....	4
34	N64092	Primary Pipe SS - 3 x 72 Lg.....	8
35	N64094	Primary Pipe SS - 3 x 96 Lg.....	12
36	N64096	Primary Pipe SS - 3 x 120 Lg.....	8
37	N66395	Primary Hose Guide Plate.....	2
38	N66775	Distribution Pipe Spacer - 6 pipe - Wing	6
39	N66855	Distribution Pipe Clamp - 2 pipe - Wing	2
40	N66860	Distribution Pipe Clamp - 4 pipe - Wing	4
41	N67640	Head Mounting Bracket - Straight.....	2
42	N19723	U-Bolt - 3/8 x 4 1/16 x 6 15/16 UL.....	8

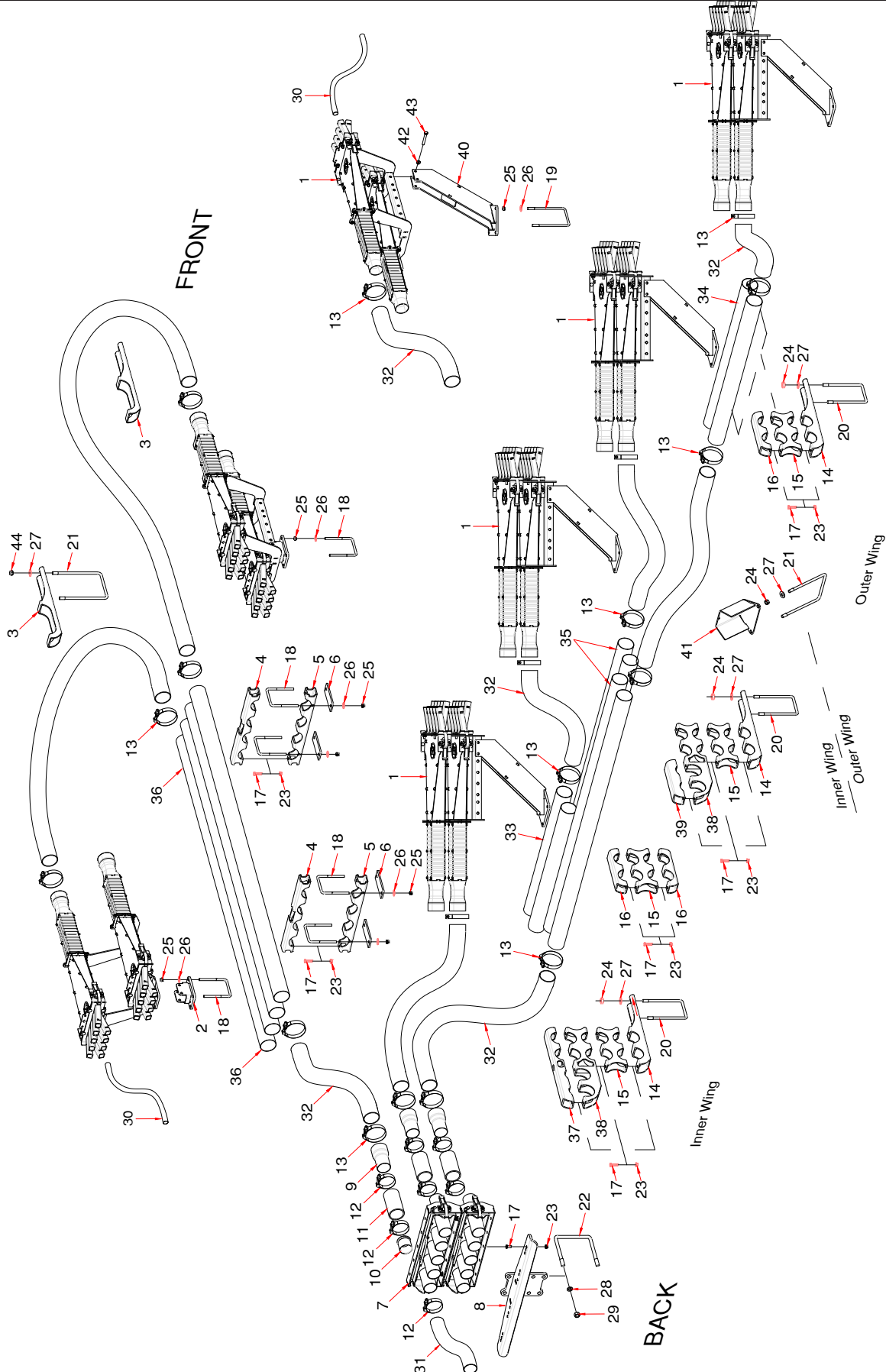
Dual Shot - Offset Heads - Tow Behind - 2023 to Present
70 ft - 21m - 9 primaries - 10, 12 and 15 inch (250 - 300 - 380mm) Spacing



Dual Shoot Offset Heads Tow Behind - 70 ft - 21m - 9 primaries

Item	Part No.	Description	Qty
1	*****	For 10, 12 and 15 inch - 250mm, 300mm and 380mm spacing Divider Head Assembly (Refer to Divider Head Assembly for details) 10" spacing uses: N66509 - Divider Head Assembly - 9 Outlet N66510 - Divider Head Assembly - 10 Outlet..... 12" spacing uses: N66507 - Divider Head Assembly - 7 Outlet N66508 - Divider Head Assembly - 8 Outlet 15" spacing uses: N66506 - Divider Head Assembly - 6 Outlet N66507 - Divider Head Assembly - 7 Outlet	12 6 4 14 14 4
2	S67250	Primary Hose Deflector	2
3	S66430	Primary Hose Hose Suport - Main - Left side (shown)	1
	S66435	Primary Hose Hose Suport - Main - Right side	1
4	N66321	Distribution Pipe Clamp - Main	4
5	N66322	Distribution Pipe Spacer - Main	4
6	N66335	Distribution Pipe Clamp Bracket - Main	4
7	*****	Quick Coupler - 5 Run (Refer to Quick Coupler Assembly for details)	4
8	N53203	Coupler Tower - Behind	1
9	N64095	Primary Hose Adapter	36
10	N37920	Equalizer	0
11	N19428	Hose - 2.54 ID x 2.79 OD x 5 Lg.....	36
12	N11905	Hose Clamp - 2 1/2 - HC5-44 (Air Cart side uses 36).....	108
13	N64099	Hose Clamp - 3 - SSTCH5-400 (Range 3 1/8 - 3 3/4)	112
14	N66325	Distribution Pipe Stand - Main	2
15	N66339	Distribution Pipe Support Bracket - Wing	10
16	N66359	Distribution Pipe Clamp - Wing	4
17	W-187	Hex Bolt - 3/8 x 1 1/4 Lg.....	64
18	BW-10	Hex Bolt - 3/4 x 1 3/4 Lg.....	2
19	D-4932	U-Bolt - 3/8 x 4 1/8 x 3 UL.....	4
20	C-3932	U-Bolt - 1/2 x 4 x 7 1/4 UL.....	10
21	S39649	U-Bolt - 5/8 x 4 x 7 3/4 UL.....	2
22	F-4642	U-Bolt - 5/8 x 6 x 5 1/2 UL.....	2
23	S27987	Locknut - 3/8 Center Lock.....	72
24	W-516	Nut - 1/2	20
25	W-517	Nut - 5/8	8
26	W-518	Nut - 3/4	2
27	W-525	Lockwasher - 1/2.....	20
28	W-526	Lockwasher - 5/8.....	8
29	W-527	Lockwasher - 3/4.....	2
30	R480034	Hose - .929 ID x 1.169 OD/ft (75 ft roll) 10"SP-1875 ft . . 12"SP-1500 ft . . 15"SP-1275 ft.	
	N73085	Hose - 1 ID x 1.250 OD (100 ft roll) - 2023 to 2025	
	N75770	Hose - 1 ID x 1.250 OD (100 ft roll) - RED (Fertilizer) - 2026 to Present	
	N75771	Hose - 1 ID x 1.250 OD (100 ft roll) - BLACK (Seed) - 2026 to Present	
31	N69294	Hose - 2 1/2 ID x 100 ft roll - Black (Air Cart side of couplers) (Seed)	375ft
	N72592	Hose - 2 1/2 ID x 100 ft roll - Red (Air Cart side of couplers) (Fertilizer)	
32	N75812	Hose - 3 ID x 100 ft roll - Black - (Seed)	350ft
	N75813	Hose - 3 ID x 100 ft roll - Red - (Fertilizer)	
33	N66396	Primary Pipe SS - 3 x 48 Lg.....	4
34	N64092	Primary Pipe SS - 3 x 72 Lg.....	8
35	N64094	Primary Pipe SS - 3 x 96 Lg.....	12
36	N64096	Primary Pipe SS - 3 x 120 Lg.....	8
37	N66395	Primary Hose Guide Plate.....	2
38	N66775	Distribution Pipe Spacer - 6 pipe - Wing	6
39	N66855	Distribution Pipe Clamp - 2 pipe - Wing	2
40	N66860	Distribution Pipe Clamp - 4 pipe - Wing	4
41	S65390	Divider Head Pedestal - Main Frame	1
42	N67640	Head Mounting Bracket - Straight	2
43	N19723	U-Bolt - 3/8 x 4 1/16 x 6 15/16 UL.....	8

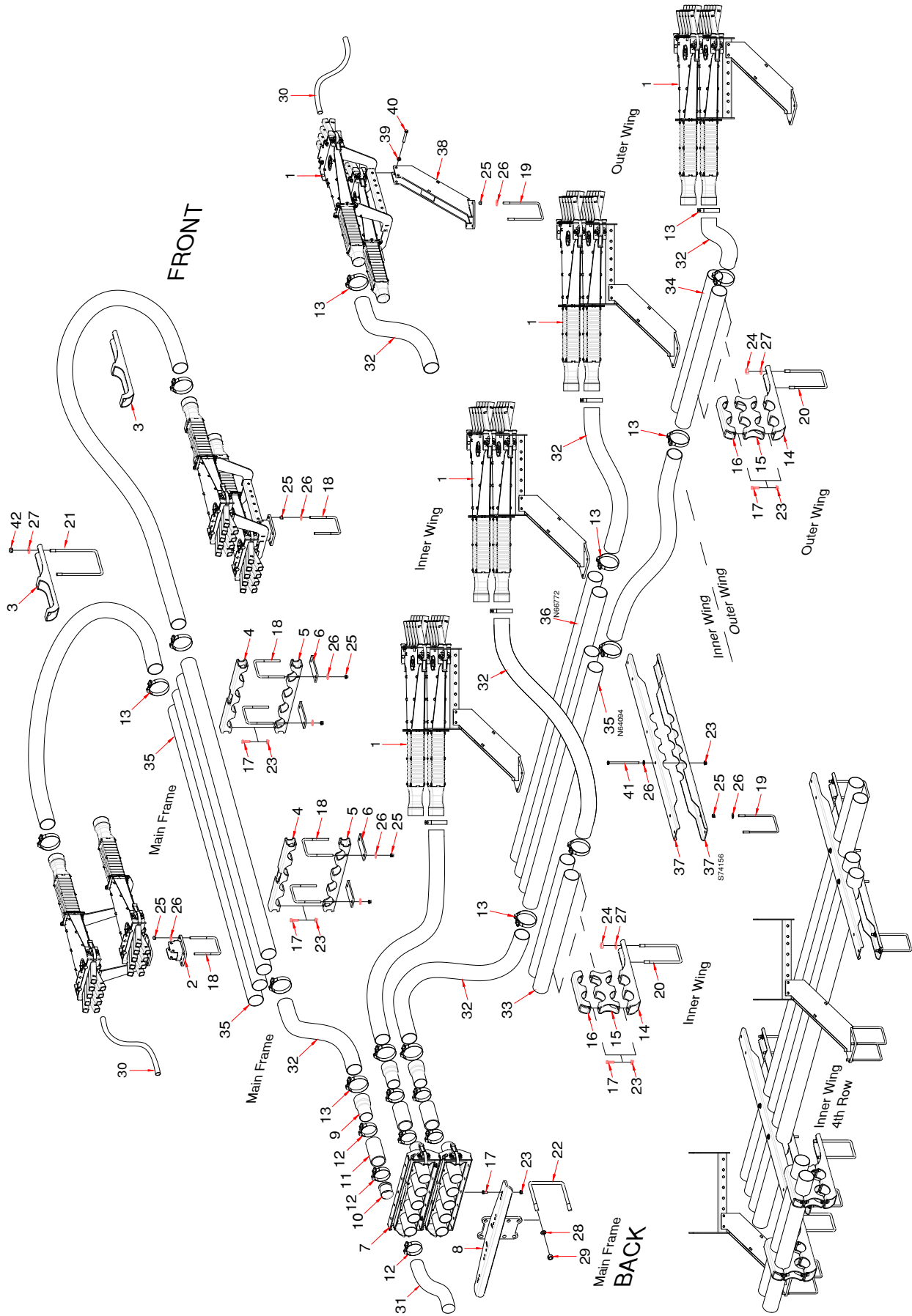
Dual Shoot - Offset Heads - Tow Behind - 2023 to 2024
80 ft - 24m - 10 primaries - 10 and 12 inch (250 - 300) Spacing



Dual Shoot Offset Heads Tow Behind - 80 ft - 24m - 10 primaries - 2023 to 2024

Item	Part No.	Description	Qty
1	***** 80ft	For 10 and 12 inch - 250mm and 300mm spacing	
		Divider Head Assembly (Refer to Divider Head Assembly for details)	
		10" spacing uses: 97 runs	
		N66509 - Divider Head Assembly - 9 Outlet	6
		N66510 - Divider Head Assembly - 10 Outlet.....	14
		80ft	
		12" (3spacing uses: 82 runs	
		N66508 - Divider Head Assembly - 8 Outlet	16
		N66509 - Divider Head Assembly - 9 Outlet	4
2	N67640	Head Mounting Bracket - Straight	2
3	N72832	Distribution Pipe Support	2
4	N66321	Distribution Pipe Clamp - Main	2
5	N72833	Distribution Pipe Clamp - Front Carriage	2
6	N72834	Clamp Plat - Main	4
7	*****	Quick Coupler - 5 Run (Refer to Quick Coupler Assembly for details).....	4
8	N53203	Coupler Tower - Behind	1
9	N64095	Primary Hose Adapter	20
10	N37920	Equalizer	0
11	N19428	Hose - 2.54 ID x 2.79 OD x 5 Lg.....	20
12	N73068	Hose Clamp - T-Bolt - 2 9/16 - 2 7/8	60
13	N64099	Hose Clamp - 3 - SSTCH5-400 (Range 3 1/8 - 3 3/4)	80
14	N66339	Distribution Pipe Support Bracket - Wing	8
15	N66358	Distribution Pipe Spacer - 2 pipe - Wing	12
16	N66359	Distribution Pipe Clamp - Wing	8
17	W-187	Hex Bolt - 3/8 x 1 1/4 Lg.....	54
18	N15098	U-Bolt - 3/8 x 4 x 5 UL.....	8
19	N19723	U-Bolt - 3/8 x 4 1/16 x 6 15/16 UL	16
20	C-3932	U-Bolt - 1/2 x 4 x 7 1/4 UL.....	8
21	H21437	U-Bolt - 1/2 x 6 x 9 UL.....	4
22	F-4642	U-Bolt - 5/8 x 6 x 5 1/2 UL.....	2
23	S27987	Locknut - 3/8 Center Lock.....	54
24	S47110	Lock Nut - 1/2 Center Lock	20
25	10229	Locknut - 3/8 Nylock	48
26	W-538	Flat Washer - 7/16.....	48
27	S-766	Flat Washer - 1/2.....	24
28	W-526	Lockwasher - 5/8.....	4
29	W-517	Nut - 5/8	4
30	N73085	Hose - 1 ID x 1.250 OD (100 ft roll) - 2023 to 2025	21
	N75770	Hose - 1 ID x 1.250 OD (100 ft roll) - RED (Fertilizer) - 2026 to Present	
	N75771	Hose - 1 ID x 1.250 OD (100 ft roll) - BLACK (Seed) - 2026 to Present	
31	N69294	Hose - 2 1/2 ID x 100 ft roll - Black (Air Cart side of couplers) (Seed)	425ft
	N72592	Hose - 2 1/2 ID x 100 ft roll - Red (Air Cart side of couplers) (Fertilizer)	
32	N75812	Hose - 3 ID x 100 ft roll - Black - (Seed).....	2
	N75813	Hose - 3 ID x 100 ft roll - Red - (Fertilizer)	2
33	S72398	Primary Pipe SS - 3 x 36 Lg.....	4
34	N66396	Primary Pipe SS - 3 x 48 Lg.....	4
35	N64092	Primary Pipe SS - 3 x 72 Lg.....	8
36	N64094	Primary Pipe SS - 3 x 96 Lg.....	4
37	N66860	Distribution Pipe Clamp - 4 pipe - Wing	2
38	N66775	Distribution Pipe Spacer - 6 pipe - Wing	4
39	N66855	Distribution Pipe Clamp - 2 pipe - Wing	2
40	S72391	Mount Bracket	8
41	S72979	Hose Guard.....	2
42	M-3388	Locknut - 3/8 Unitorque.....	20
43	W-480	Hex Bolt - 3/8 x 2 1/2 Lg.....	20
44	C26701	Locknut - 1/2 Nylock	4

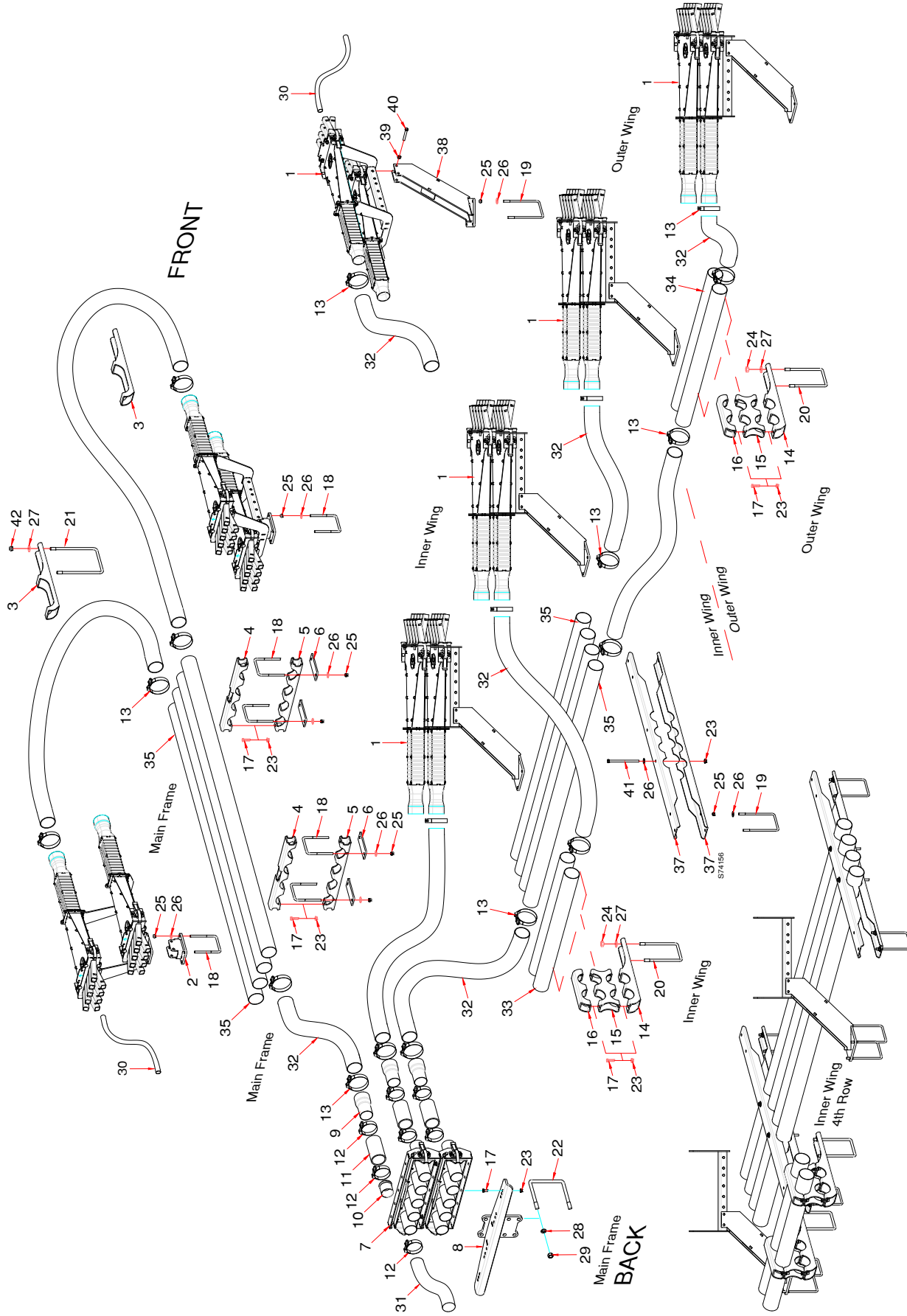
Dual Shoot - Offset Heads - Tow Behind - 2025
80 ft - 24m - 10 primaries - 10 and 12 inch (250 - 300) Spacing



Dual Shoot Offset Heads Tow Behind - 80 ft - 24m - 10 primaries - 2025

Item	Part No.	Description	Qty		
1	***** 80ft	For 10 and 12 inch - 250mm and 300mm spacing			
		Divider Head Assembly (Refer to Divider Head Assembly for details)			
		10" spacing uses: 97 runs			
		N66509 - Divider Head Assembly - 9 Outlet	6		
		N66510 - Divider Head Assembly - 10 Outlet.....	14		
		80ft			
1	*****	12" (3spacing uses: 82 runs			
		N66508 - Divider Head Assembly - 8 Outlet	16		
		N66509 - Divider Head Assembly - 9 Outlet	4		
		2	N67640	Head Mounting Bracket - Straight	2
		3	N72832	Distribution Pipe Support	2
		4	N66321	Distribution Pipe Clamp - Main	2
5	N72833	Distribution Pipe Clamp - Front Carriage	2		
6	N72834	Clamp Plat - Main	4		
7	*****	Quick Coupler - 5 Run (Refer to Quick Coupler Assembly for details)	4		
8	N53203	Coupler Tower - Behind	1		
9	N64095	Primary Hose Adapter	20		
10	N37920	Equalizer	0		
11	N19428	Hose - 2.54 ID x 2.79 OD x 5 Lg.....	20		
12	N73068	Hose Clamp - T-Bolt - 2 9/16 - 2 7/8	60		
13	N64099	Hose Clamp - 3 - SSTCH5-400 (Range 3 1/8 - 3 3/4)	80		
14	N66339	Distribution Pipe Support Bracket - Wing	8		
15	N66358	Distribution Pipe Spacer - 2 pipe - Wing	8		
16	N66359	Distribution Pipe Clamp - Wing	8		
17	W-187	Hex Bolt - 3/8 x 1 1/4 Lg.....	36		
18	N15098	U-Bolt - 3/8 x 4 x 5 UL.....	8		
19	N19723	U-Bolt - 3/8 x 4 1/16 x 6 15/16 UL	24		
20	C-3932	U-Bolt - 1/2 x 4 x 7 1/4 UL.....	8		
21	H21437	U-Bolt - 1/2 x 6 x 9 UL.....	2		
22	C-219	U-Bolt - 5/8 x 4 x 5 9/16 UL.....	2		
23	S27987	Locknut - 3/8 Center Lock.....	44		
24	S47110	Lock Nut - 1/2 Center Lock	16		
25	10229	Locknut - 3/8 Nylock	60		
26	W-538	Flat Washer - 7/16.....	60		
27	S-766	Flat Washer - 1/2.....	20		
28	W-526	Lockwasher - 5/8.....	4		
29	W-517	Nut - 5/8	4		
30	N73085	Hose - 1 ID x 1.250 OD (100 ft roll) - 2023 to 2025	21		
31	N75770	Hose - 1 ID x 1.250 OD (100 ft roll) - RED (Fertilizer) - 2026 to Present	425ft		
	N75771	Hose - 1 ID x 1.250 OD (100 ft roll) - BLACK (Seed) - 2026 to Present			
31	N69294	Hose - 2 1/2 ID x 100 ft roll - Black (Air Cart side of couplers) (Seed)	425ft		
	N72592	Hose - 2 1/2 ID x 100 ft roll - Red (Air Cart side of couplers) (Fertilizer)			
32	N75812	Hose - 3 ID x 100 ft roll - Black - (Seed).....	2		
	N75813	Hose - 3 ID x 100 ft roll - Red - (Fertilizer)	2		
33	S72398	Primary Pipe SS - 3 x 36 Lg.....	4		
34	N66396	Primary Pipe SS - 3 x 48 Lg.....	4		
35	N64094	Primary Pipe SS - 3 x 96 Lg.....	8		
36	N66772	Primary Pipe SS - 3 x 108 Lg	4		
37	S74156	Mount Bracket.....	8		
38	S72391	Mount Bracket	8		
39	M-3388	Locknut - 3/8 Unitorque.....	20		
40	W-480	Hex Bolt - 3/8 x 2 1/2 Lg.....	20		
41	C-3918	Hex Bolt - 3/8 x 5 Lg.....	8		
42	C26701	Locknut - 1/2 Nylock	4		

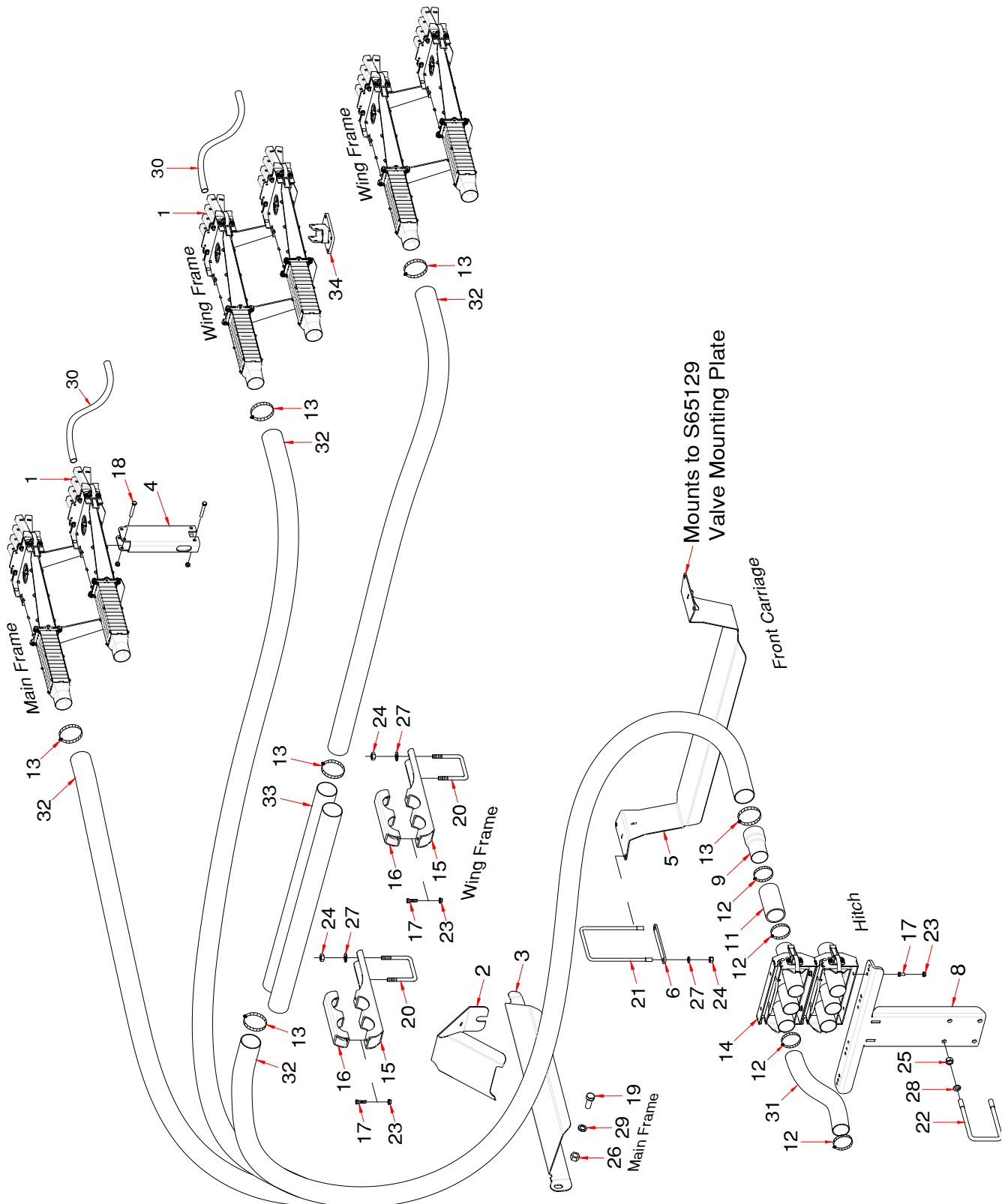
Dual Shot - Offset Heads - Tow Behind - 2026 to Present
80 ft - 24m - 10 primaries - 10 and 12 inch (250 - 300) Spacing



Dual Shoot Offset Heads Tow Behind - 80 ft - 24m - 10 primaries - 2026 to Present

Item	Part No.	Description	Qty
1	***** 80ft	For 10 and 12 inch - 250mm and 300mm spacing	
		Divider Head Assembly (Refer to Divider Head Assembly for details)	
		10" spacing uses: 97 runs	
		N66509 - Divider Head Assembly - 9 Outlet	6
		N66510 - Divider Head Assembly - 10 Outlet.....	14
		80ft	
	80ft	12" (3spacing uses: 82 runs	
		N66508 - Divider Head Assembly - 8 Outlet	16
		N66509 - Divider Head Assembly - 9 Outlet	4
2	N67640	Head Mounting Bracket - Straight	2
3	N72832	Distribution Pipe Support	2
4	N66321	Distribution Pipe Clamp - Main	2
5	N72833	Distribution Pipe Clamp - Front Carriage	2
6	N72834	Clamp Plat - Main	4
7	*****	Quick Coupler - 5 Run (Refer to Quick Coupler Assembly for details)	4
8	N53203	Coupler Tower - Behind	1
9	N64095	Primary Hose Adapter	20
10	N37920	Equalizer	0
11	N19428	Hose - 2.54 ID x 2.79 OD x 5 Lg.....	20
12	N73068	Hose Clamp - T-Bolt - 2 9/16 - 2 7/8	60
13	N64099	Hose Clamp - 3 - SSTCH5-400 (Range 3 1/8 - 3 3/4)	80
14	N66339	Distribution Pipe Support Bracket - Wing	8
15	N66358	Distribution Pipe Spacer - 2 pipe - Wing	8
16	N66359	Distribution Pipe Clamp - Wing	8
17	W-187	Hex Bolt - 3/8 x 1 1/4 Lg.....	36
18	N15098	U-Bolt - 3/8 x 4 x 5 UL.....	8
19	N19723	U-Bolt - 3/8 x 4 1/16 x 6 15/16 UL	24
20	C-3932	U-Bolt - 1/2 x 4 x 7 1/4 UL.....	8
21	H21437	U-Bolt - 1/2 x 6 x 9 UL.....	2
22	C-219	U-Bolt - 5/8 x 4 x 5 9/16 UL.....	2
23	S27987	Locknut - 3/8 Center Lock.....	44
24	S47110	Lock Nut - 1/2 Center Lock	16
25	10229	Locknut - 3/8 Nylock	60
26	W-538	Flat Washer - 7/16.....	60
27	S-766	Flat Washer - 1/2.....	20
28	W-526	Lockwasher - 5/8.....	4
29	W-517	Nut - 5/8	4
30	N73085	Hose - 1 ID x 1.250 OD (100 ft roll) - 2023 to 2025	21
	N75770	Hose - 1 ID x 1.250 OD (100 ft roll) - RED (Fertilizer) - 2026 to Present	
	N75771	Hose - 1 ID x 1.250 OD (100 ft roll) - BLACK (Seed) - 2026 to Present	
31	N69294	Hose - 2 1/2 ID x 100 ft roll - Black (Air Cart side of couplers) (Seed)	425ft
	N72592	Hose - 2 1/2 ID x 100 ft roll - Red (Air Cart side of couplers) (Fertilizer)	
32	N75812	Hose - 3 ID x 100 ft roll - Black - (Seed).....	2
	N75813	Hose - 3 ID x 100 ft roll - Red - (Fertilizer)	2
33	S72398	Primary Pipe SS - 3 x 36 Lg.....	4
34	N66396	Primary Pipe SS - 3 x 48 Lg.....	4
35	N64094	Primary Pipe SS - 3 x 96 Lg.....	12
36	*****		
37	S74156	Mount Bracket.....	8
38	S72391	Mount Bracket	8
39	M-3388	Locknut - 3/8 Unitorque.....	20
40	W-480	Hex Bolt - 3/8 x 2 1/2 Lg.....	20
41	C-3918	Hex Bolt - 3/8 x 5 Lg.....	8
42	C26701	Locknut - 1/2 Nylock	4

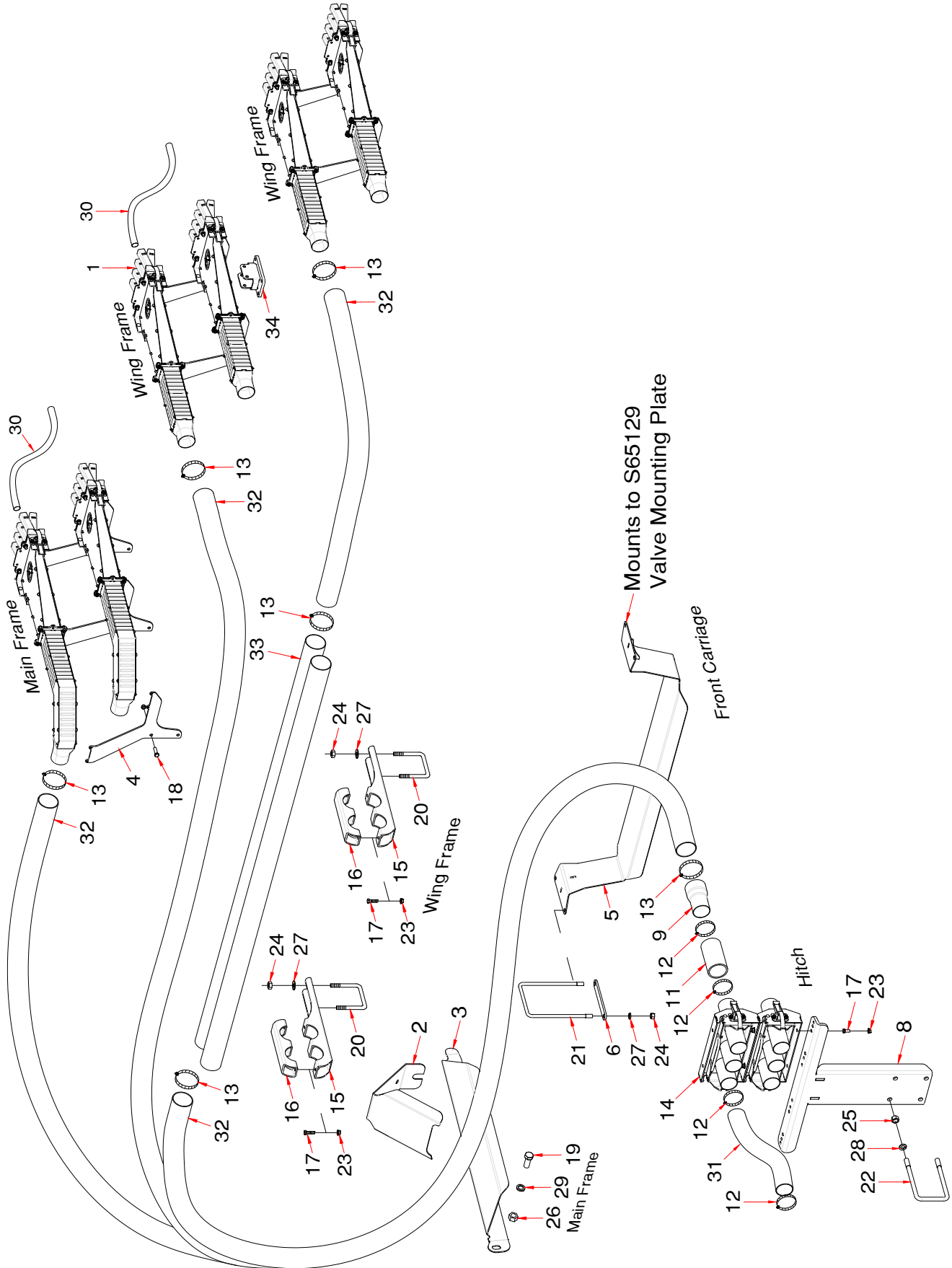
Dual Shoot - Offset Heads - Tow Between - 2023 to Present
40 ft - 12m - 5 primaries - 12 and 15 inch (300 - 380mm) Spacing



Dual Shoot Offset Heads Tow Between - 40 ft - 12m - 5 primaries - 2023 to Present

Item	Part No.	Description	Qty
1	*****	For 12 and 15 inch - 300mm and 380mm spacing Divider Head Assembly (Refer to Divider Head Assembly for details) 12" spacing uses: N66508 - Divider Head Assembly - 8 Outlet 10 15" spacing uses: N66506 - Divider Head Assembly - 6 Outlet 6 N66507 - Divider Head Assembly - 7 Outlet 4	
2	S67250	Primary Hose Deflector 2	2
3	S66430	Primary Hose Hose Suport - Main - Left side (shown) 1	1
	S66435	Primary Hose Hose Suport - Main - Right side 1	1
4	S65390	Divider Head Pedestal - Main Frame 1	1
5	N67245	Primary Hose Hose Suport - Between 1	1
6	N67274	Spacer Plate 1	1
7	N67275	Kit - Primary Hose Hose Suport - Between (Includes items 5, 6, 21, 24 and 27)	
8	N51962	Coupler Tower - Between 1	1
9	N64095	Primary Hose Adapter 20	20
10	*****		
11	N19428	Hose - 2.54 ID x 2.79 OD x 5 Lg..... 20	20
12	N11905	Hose Clamp - 2 1/2 - HC5-44 (Air Cart side uses 20)..... 60	60
13	N64099	Hose Clamp - 3 - SSTCH5-400 (Range 3 1/8 - 3 3/4) 28	28
14	*****	Quick Coupler - 5 Run (Refer to Quick Coupler Assembly for details) 2	2
15	N66339	Distribution Pipe Support Bracket - 2 pipe - Wing 4	4
16	N66359	Distribution Pipe Clamp - 2 pipe - Wing 4	4
17	W-187	Hex Bolt - 3/8 x 1 1/4 Lg..... 12	12
18	W-480	Hex Bolt - 3/8 x 2 1/2 Lg (Refer to Divider Head Assembly for details) 2	2
19	BW-10	Hex Bolt - 3/4 x 1 3/4 Lg..... 2	2
20	C-3932	U-Bolt - 1/2 x 4 x 7 1/4 UL..... 4	4
21	H25628	U-Bolt - 1/2 x 6 1/16 x 9 3/8 UL..... 1	1
22	S39649	U-Bolt - 5/8 x 4 x 7 3/4 UL..... 2	2
23	S27987	Locknut - 3/8 Center Lock..... 12	12
24	W-516	Nut - 1/2 6	6
25	W-517	Nut - 5/8 4	4
26	W-518	Nut - 3/4 2	2
27	W-525	Lockwasher - 1/2..... 6	6
28	W-526	Lockwasher - 5/8..... 4	4
29	W-527	Lockwasher - 3/4..... 2	2
30	R480034	Hose - .929 ID x 1.169 OD/ft (75 ft roll) . . 12"SP-900 ft . . 15"SP-750 ft	
	N73085	Hose - 1 ID x 1.250 OD (100 ft roll) - 2023 to 2025	
	N75770	Hose - 1 ID x 1.250 OD (100 ft roll) - RED (Fertilizer) - 2026 to Present	
	N75771	Hose - 1 ID x 1.250 OD (100 ft roll) - BLACK (Seed) - 2026 to Present	
31	N69294	Hose - 2 1/2 ID x 100 ft roll - Black (Air Cart side of couplers) (Seed) 140ft	140ft
	N72592	Hose - 2 1/2 ID x 100 ft roll - Red (Air Cart side of couplers) (Fertilizer)	
32	N75812	Hose - 3 ID x 100 ft roll - Black - (Seed)..... 200ft	200ft
	N75813	Hose - 3 ID x 100 ft roll - Red - (Fertilizer)	
33	N66396	Primary Pipe SS - 3 x 48 Lg..... 4	4
34	N67202	Head Mounting Bracket - 30 Degree - Right (shown) 1	1
34A	N67200	Head Mounting Bracket - 30 Degree - Left..... 1	1
35	N66141	Dual Head Mounting Plate High Profile - 5 2	2

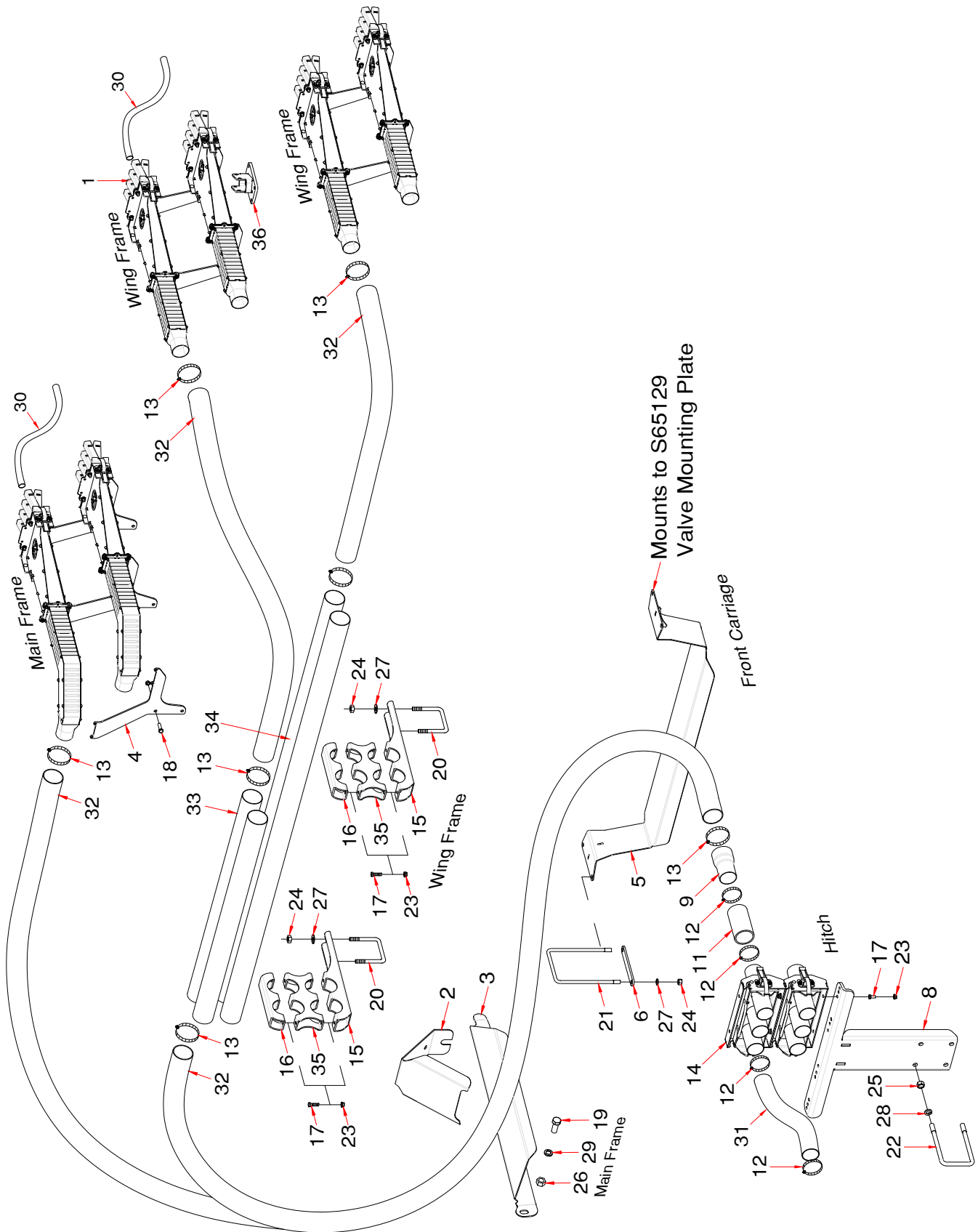
Dual Shoot - Offset Heads - Tow Between - 2023 to Present
40 ft - 12m - 6 primaries - 10 inch (250mm) Spacing



Dual Shoot Offset Heads Tow Between - 40 ft - 12m - 6 primaries - 2023 to Present

Item	Part No.	Description	Qty
1	*****	For 10 - 250mm spacing Divider Head Assembly (Refer to Divider Head Assembly for details) 10" spacing uses: N66508 - Divider Head Assembly - 8 Outlet	12
2	S67250	Primary Hose Deflector	2
3	S66430	Primary Hose Hose Suport - Main - Left side (shown)	1
	S66435	Primary Hose Hose Suport - Main - Right side	1
4	N72719	Offset Head Mounting Plate - Main Frame	4
5	N67245	Primary Hose Hose Suport - Between	1
6	N67274	Spacer Plate	1
7	N67275	Kit - Primary Hose Hose Suport - Between (Includes items 5, 6, 21, 24 and 27)	
8	N51962	Coupler Tower - Between	1
9	N64095	Primary Hose Adapter	12
10	*****		
11	N19428	Hose - 2.54 ID x 2.79 OD x 5 Lg.....	12
12	N11905	Hose Clamp - 2 1/2 - HC5-44 (Air Cart side uses 24).....	72
13	N64099	Hose Clamp - 3 - SSTCH5-400 (Range 3 1/8 - 3 3/4)	32
14	*****	Quick Coupler - 3 Run (Refer to Quick Coupler Assembly for details).....	4
15	N66339	Distribution Pipe Support Bracket - 2 pipe - Wing	4
16	N66359	Distribution Pipe Clamp - 2 pipe - Wing	4
17	W-187	Hex Bolt - 3/8 x 1 1/4 Lg.....	12
18	W-187	Hex Bolt - 3/8 x 1 1/4 Lg (Refer to Divider Head Assembly for details).....	8
19	BW-10	Hex Bolt - 3/4 x 1 3/4 Lg.....	2
20	C-3932	U-Bolt - 1/2 x 4 x 7 1/4 UL.....	4
21	H25628	U-Bolt - 1/2 x 6 1/16 x 9 3/8 UL.....	1
22	S39649	U-Bolt - 5/8 x 4 x 7 3/4 UL.....	2
23	S27987	Locknut - 3/8 Center Lock.....	12
24	W-516	Nut - 1/2	6
25	W-517	Nut - 5/8	4
26	W-518	Nut - 3/4	2
27	W-525	Lockwasher - 1/2.....	6
28	W-526	Lockwasher - 5/8.....	4
29	W-527	Lockwasher - 3/4.....	2
30	R480034	Hose - .929 ID x 1.169 OD/ft (75 ft roll) . . 10"SP-1125 ft.....	1125
	N73085	Hose - 1 ID x 1.250 OD (100 ft roll) - 2023 to 2025	
	N75770	Hose - 1 ID x 1.250 OD (100 ft roll) - RED (Fertilizer) - 2026 to Present	
	N75771	Hose - 1 ID x 1.250 OD (100 ft roll) - BLACK (Seed) - 2026 to Present	
31	N69294	Hose - 2 1/2 ID x 100 ft roll - Black (Air Cart side of couplers) (Seed)	175ft
	N72592	Hose - 2 1/2 ID x 100 ft roll - Red (Air Cart side of couplers) (Fertilizer)	
32	N75812	Hose - 3 ID x 100 ft roll - Black - (Seed).....	225ft
	N75813	Hose - 3 ID x 100 ft roll - Red - (Fertilizer)	
33	N64094	Primary Pipe SS - 3 x 96 Lg.....	4
34	N67640	Head Mounting Bracket - Straight	1

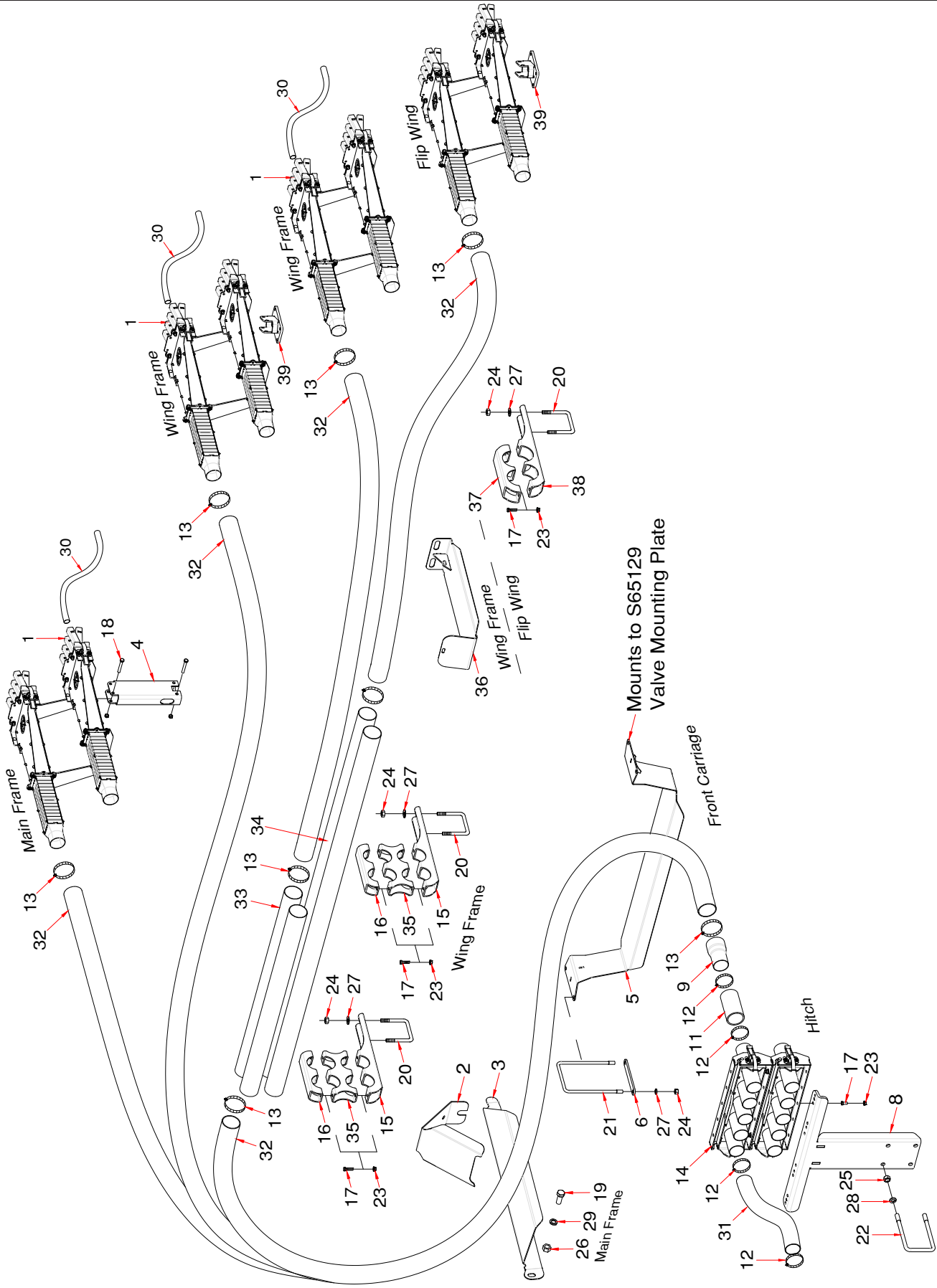
Dual Shoot - Offset Heads - Tow Between - 2023 to Present
50 ft - 15m - 6 primaries - 15 inch (380mm) Spacing



Dual Shoot Offset Heads Tow Between - 50 ft - 15m - 6 primaries - 2023 to Present

Item	Part No.	Description	Qty
1	*****	For 15 inch - 380mm spacing Divider Head Assembly (Refer to Divider Head Assembly for details) 15" spacing uses: N66506 - Divider Head Assembly - 6 Outlet N66507 - Divider Head Assembly - 7 Outlet	4 8
2	S67250	Primary Hose Deflector	2
3	S66430	Primary Hose Hose Suport - Main - Left side (shown)	1
	S66435	Primary Hose Hose Suport - Main - Right side	1
4	N72719	Offset Head Mounting Plate - Main Frame	4
5	N67245	Primary Hose Hose Suport - Between	1
6	N67274	Spacer Plate	1
7	N67275	Kit - Primary Hose Hose Suport - Between (Includes items 5, 6, 21, 24 and 27)	
8	N51962	Coupler Tower - Between	1
9	N64095	Primary Hose Adapter	12
10	*****		
11	N19428	Hose - 2.54 ID x 2.79 OD x 5 Lg.....	12
12	N11905	Hose Clamp - 2 1/2 - HC5-44 (Air Cart side uses 24).....	72
13	N64099	Hose Clamp - 3 - SSTCH5-400 (Range 3 1/8 - 3 3/4)	40
14	*****	Quick Coupler - 3 Run (Refer to Quick Coupler Assembly for details).....	4
15	N66339	Distribution Pipe Support Bracket - 2 pipe - Wing	4
16	N66359	Distribution Pipe Clamp - 2 pipe - Wing	4
17	W-187	Hex Bolt - 3/8 x 1 1/4 Lg.....	20
18	W-187	Hex Bolt - 3/8 x 1 1/4 Lg (Refer to Divider Head Assembly for details)	8
19	BW-10	Hex Bolt - 3/4 x 1 3/4 Lg.....	2
20	C-3932	U-Bolt - 1/2 x 4 x 7 1/4 UL.....	4
21	H25628	U-Bolt - 1/2 x 6 1/16 x 9 3/8 UL.....	1
22	S39649	U-Bolt - 5/8 x 4 x 7 3/4 UL.....	2
23	S27987	Locknut - 3/8 Center Lock.....	20
24	W-516	Nut - 1/2	6
25	W-517	Nut - 5/8	4
26	W-518	Nut - 3/4	2
27	W-525	Lockwasher - 1/2.....	6
28	W-526	Lockwasher - 5/8.....	4
29	W-527	Lockwasher - 3/4.....	2
30	R480034	Hose - .929 ID x 1.169 OD/ft (75 ft roll)	900
	N73085	Hose - 1 ID x 1.250 OD (100 ft roll) - 2023 to 2025	
	N75770	Hose - 1 ID x 1.250 OD (100 ft roll) - RED (Fertilizer) - 2026 to Present	
	N75771	Hose - 1 ID x 1.250 OD (100 ft roll) - BLACK (Seed) - 2026 to Present	
31	N69294	Hose - 2 1/2 ID x 100 ft roll - Black (Air Cart side of couplers) (Seed)	175ft
	N72592	Hose - 2 1/2 ID x 100 ft roll - Red (Air Cart side of couplers) (Fertilizer)	
32	N75812	Hose - 3 ID x 100 ft roll - Black - (Seed).....	225ft
	N75813	Hose - 3 ID x 100 ft roll - Red - (Fertilizer)	
33	N66396	Primary Pipe SS - 3 x 48 Lg.....	4
34	N64094	Primary Pipe SS - 3 x 96 Lg.....	4
35	N66358	Distribution Pipe Spacer - 2 pipe - Wing	4
36	N67202	Head Mounting Bracket - 30 Degree - Right (shown)	1
36A	N67200	Head Mounting Bracket - 30 Degree - Left.....	1

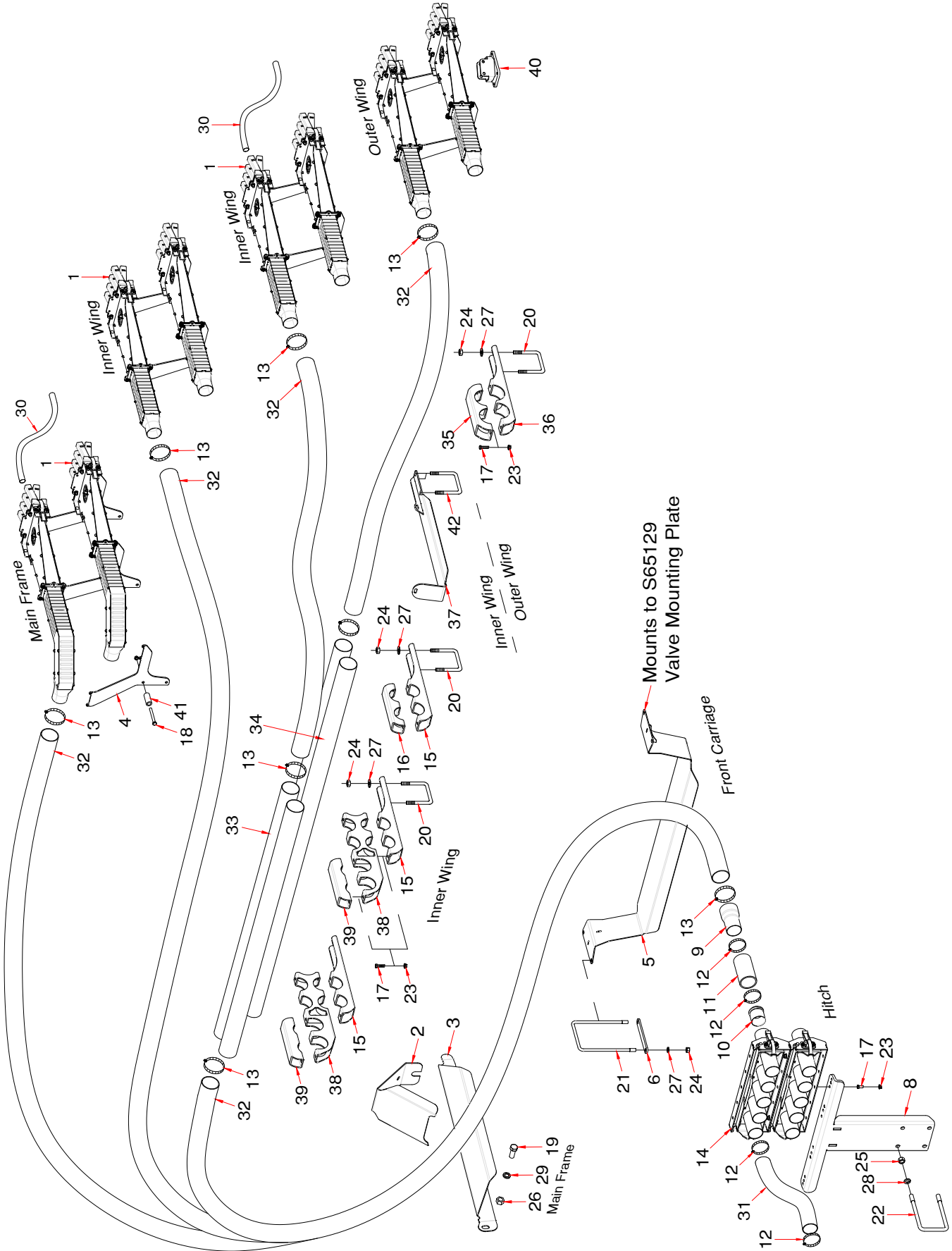
Dual Shoot - Offset Heads - Tow Between - 2023 to Present
50 ft - 15m - 7 primaries - 10 and 12 inch (250 - 300mm) Spacing



Dual Shoot Offset Heads Tow Between - 50 ft - 15m - 7 primaries - 2023 to Present

Item	Part No.	Description	Qty
1	*****	For 10 and 12 inch - 250mm and 300mm spacing Divider Head Assembly (Refer to Divider Head Assembly for details) 10" spacing uses: N66508 - Divider Head Assembly - 8 Outlet 6 N66509 - Divider Head Assembly - 9 Outlet 8 12" spacing uses: N66507 - Divider Head Assembly - 7 Outlet 12 N66508 - Divider Head Assembly - 8 Outlet 2	
2	S67250	Primary Hose Deflector 2	2
3	S66430	Primary Hose Hose Suport - Main - Left side (shown) 1	1
	S66435	Primary Hose Hose Suport - Main - Right side 1	1
4	S65390	Divider Head Pedestal - Main Frame 1	1
5	N67245	Primary Hose Hose Suport - Between 1	1
6	N67274	Spacer Plate 1	1
7	N67275	Kit - Primary Hose Hose Suport - Between (Includes items 5, 6, 21, 24 and 27)	
8	N51962	Coupler Tower - Between 1	1
9	N64095	Primary Hose Adapter 14	14
10	*****		
11	N19428	Hose - 2.54 ID x 2.79 OD x 5 Lg..... 14	14
12	N11905	Hose Clamp - 2 1/2 - HC5-44 (Air Cart side uses 28)..... 84	84
13	N64099	Hose Clamp - 3 - SSTCH5-400 (Range 3 1/8 - 3 3/4) 44	44
14	*****	Quick Coupler - 5 Run (Refer to Quick Coupler Assembly for details)..... 4	4
15	N66339	Distribution Pipe Support Bracket - 2 pipe - Wing 4	4
16	N66359	Distribution Pipe Clamp - 2 pipe - Wing 4	4
17	W-187	Hex Bolt - 3/8 x 1 1/4 Lg..... 24	24
18	W-480	Hex Bolt - 3/8 x 2 1/2 Lg (Refer to Divider Head Assembly for details)..... 2	2
19	BW-10	Hex Bolt - 3/4 x 1 3/4 Lg..... 2	2
20	C-3932	U-Bolt - 1/2 x 4 x 7 1/4 UL..... 6	6
21	H25628	U-Bolt - 1/2 x 6 1/16 x 9 3/8 UL..... 1	1
22	S39649	U-Bolt - 5/8 x 4 x 7 3/4 UL..... 2	2
23	S27987	Locknut - 3/8 Center Lock..... 24	24
24	W-516	Nut - 1/2 14	14
25	W-517	Nut - 5/8 4	4
26	W-518	Nut - 3/4 2	2
27	W-525	Lockwasher - 1/2..... 14	14
28	W-526	Lockwasher - 5/8..... 4	4
29	W-527	Lockwasher - 3/4..... 2	2
30	R480034	Hose - .929 ID x 1.169 OD/ft (75 ft roll) 10"SP-1350 ft . . 12"SP-1125 ft . .	
	N73085	Hose - 1 ID x 1.250 OD (100 ft roll) - 2023 to 2025	
	N75770	Hose - 1 ID x 1.250 OD (100 ft roll) - RED (Fertilizer) - 2026 to Present	
	N75771	Hose - 1 ID x 1.250 OD (100 ft roll) - BLACK (Seed) - 2026 to Present	
31	N69294	Hose - 2 1/2 ID x 100 ft roll - Black (Air Cart side of couplers) (Seed) 200ft	200ft
	N72592	Hose - 2 1/2 ID x 100 ft roll - Red (Air Cart side of couplers) (Fertilizer)	
32	N75812	Hose - 3 ID x 100 ft roll - Black - (Seed)..... 300ft	300ft
	N75813	Hose - 3 ID x 100 ft roll - Red - (Fertilizer)	
33	N66396	Primary Pipe SS - 3 x 48 Lg..... 4	4
34	N64094	Primary Pipe SS - 3 x 96 Lg..... 4	4
35	N66358	Distribution Pipe Spacer - 2 pipe - Wing 4	4
36	N67295	Primary Hose Guide Plate - Wing 2	2
37	N66374	Distribution Hose Clamp - Wing - 3 5/8 Dia 2	2
38	N66375	Distribution Hose Support Bracket - Wing - 3 5/8 Dia 2	2
39	N67202	Head Mounting Bracket - 30 Degree - Right (shown) 2	2
39A	N67200	Head Mounting Bracket - 30 Degree - Left..... 2	2

Dual Shoot - Offset Heads - Tow Between - 2023 to Present
60 ft - 18m - 8 primaries - 10, 12 and 15 inch (250 - 300 - 380mm) Spacing



Dual Shoot Offset Heads Tow Between - 60 ft - 18m - 8 primaries - 2023 to Present

Item	Part No.	Description	Qty
1	*****	For 10, 12 and 15 inch - 250mm, 300mm and 380mm spacing Divider Head Assembly (Refer to Divider Head Assembly for details) 10" spacing uses: N66509 - Divider Head Assembly - 9 Outlet 12" spacing uses: N66507 - Divider Head Assembly - 7 Outlet N66508 - Divider Head Assembly - 8 Outlet 15" spacing uses 8 # 6 heads N66506 - Divider Head Assembly - 6 Outlet	16 8 8 16
2	S67250	Primary Hose Deflector	2
3	S66430	Primary Hose Hose Suport - Main - Left side (shown)	1
	S66435	Primary Hose Suport - Main - Right side	1
4	N72719	Offset Head Mounting Plate - Main Frame	4
5	N67245	Primary Hose Hose Suport - Between	1
6	N67274	Spacer Plate	1
7	N67275	Kit - Primary Hose Hose Suport - Between (Includes items 5, 6, 21, 24 and 27)	
8	N51962	Coupler Tower - Between	1
9	N64095	Primary Hose Adapter	16
10	N37920	Equalizer	0
11	N19428	Hose - 2.54 ID x 2.79 OD x 5 Lg.....	16
12	N11905	Hose Clamp - 2 1/2 - HC5-44 (Air Cart side uses 32).....	96
13	N64099	Hose Clamp - 3 - SSTCH5-400 (Range 3 1/8 - 3 3/4)	48
14	*****	Quick Coupler - 5 Run (Refer to Quick Coupler Assembly for details).....	4
15	N66339	Distribution Pipe Support Bracket - 2 pipe - Wing.....	6
16	N66359	Distribution Pipe Clamp - 2 pipe - Wing - Wing	2
17	W-187	Hex Bolt - 3/8 x 1 1/4 Lg.....	28
18	S-1299	Hex Bolt - 3/8 x 4 1/2 Lg (Refer to Divider Head Assembly for details).....	8
19	BW-10	Hex Bolt - 3/4 x 1 3/4 Lg.....	2
20	C-3932	U-Bolt - 1/2 x 4 x 7 1/4 UL.....	8
21	H25628	U-Bolt - 1/2 x 6 1/16 x 9 3/8 UL.....	1
22	S39649	U-Bolt - 5/8 x 4 x 7 3/4 UL.....	2
23	S27987	Locknut - 3/8 Center Lock.....	28
24	W-516	Nut - 1/2	18
25	W-517	Nut - 5/8	4
26	W-518	Nut - 3/4	2
27	W-525	Lockwasher - 1/2.....	18
28	W-526	Lockwasher - 5/8.....	4
29	W-527	Lockwasher - 3/4.....	2
30	R480034	Hose - .929 ID x 1.169 OD/ft (75 ft roll) 10"SP-1650 ft . . 12"SP-1350 ft . . 15"SP-1125 ft.	
	N73085	Hose - 1 ID x 1.250 OD (100 ft roll) - 2023 to 2025	
	N75770	Hose - 1 ID x 1.250 OD (100 ft roll) - RED (Fertilizer) - 2026 to Present	
	N75771	Hose - 1 ID x 1.250 OD (100 ft roll) - BLACK (Seed) - 2026 to Present	
31	N69294	Hose - 2 1/2 ID x 100 ft roll - Black (Air Cart side of couplers) (Seed)	225ft
	N72592	Hose - 2 1/2 ID x 100 ft roll - Red (Air Cart side of couplers) (Fertilizer)	
32	N75812	Hose - 3 ID x 100 ft roll - Black - (Seed).....	325ft
	N75813	Hose - 3 ID x 100 ft roll - Red - (Fertilizer)	
33	N66092	Primary Pipe SS - 3 x 72 Lg.....	4
34	N64094	Primary Pipe SS - 3 x 96 Lg.....	4
35	N66374	Distribution Hose Clamp - Wing - 3 5/8 Dia	2
36	N66375	Distribution Hose Support Bracket - Wing - 3 5/8 Dia	2
37	N66395	Primary Hose Guide Plate - Wing	2
38	N66775	Distribution Pipe Spacer - 6 pipe - Wing	4
39	N66855	Distribution Pipe Clamp - 2 pipe - Wing	4
40	N67200	Head Mounting Bracket - 30 Degree - Left (shown).....	1
40A	N67202	Head Mounting Bracket - 30 Degree - Right.....	1
41	N50842	Bushings - .385 ID x 5/8 OD x 3 1/4 Lg	8
42	N19723	U-Bolt - 3/8 x 4 1/16 x 6 15/16 UL.....	8

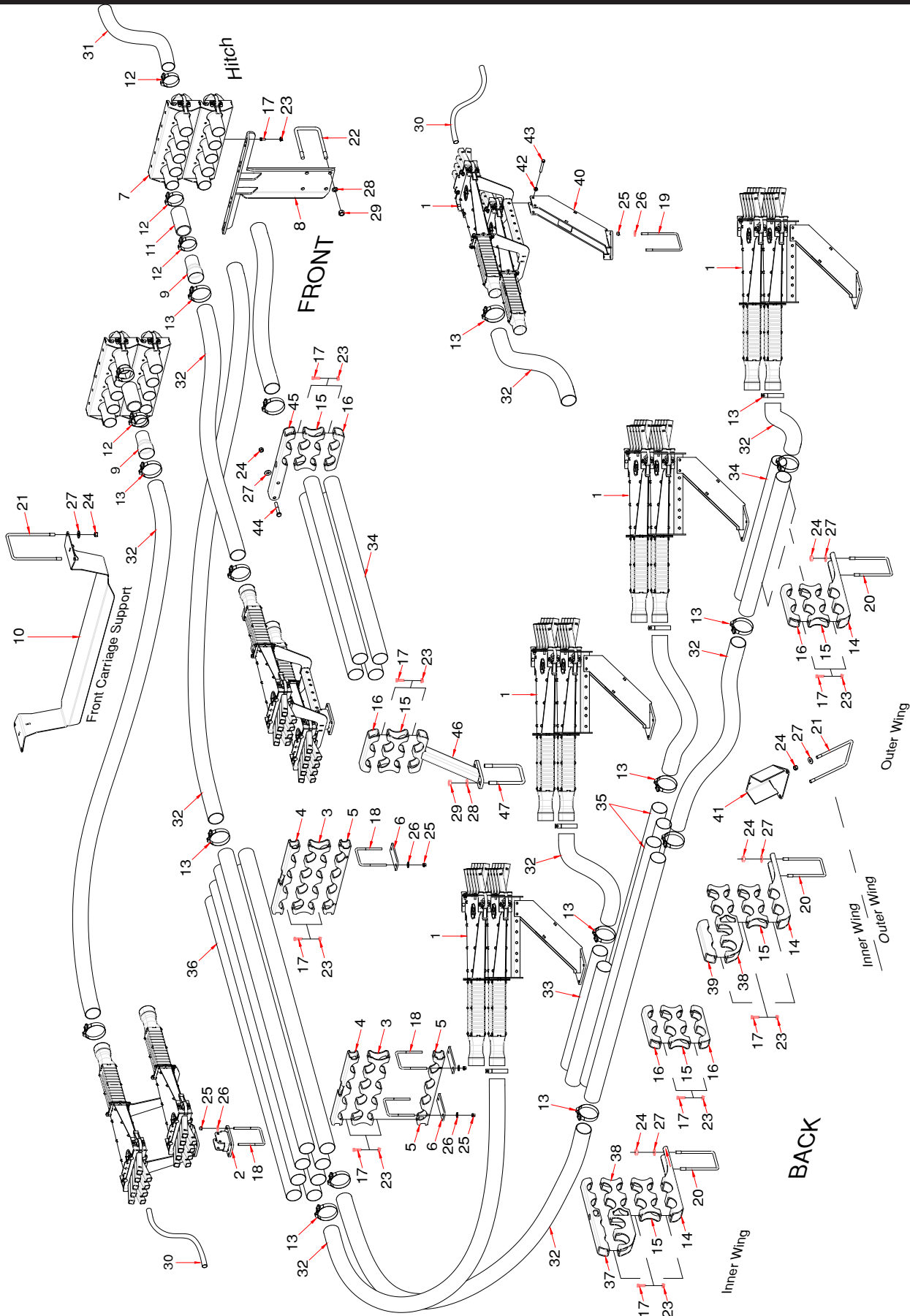
Dual Shoot Offset Heads Tow Between - 70 ft - 21m - 8 primaries - 2023 to Present

Item	Part No.	Description	Qty
1	*****	For 10, 12 and 15 inch - 250mm, 300mm and 380mm spacing Divider Head Assembly (Refer to Divider Head Assembly for details) 10" spacing uses: N/A N66510 - Divider Head Assembly - 10 Outlet..... 8 * N/A * - Divider Head Assembly - 11 Outlet 8 12" spacing uses: N66508 - Divider Head Assembly - 8 Outlet 4 N66509 - Divider Head Assembly - 9 Outlet 12 15" spacing uses: N66507 - Divider Head Assembly - 7 Outlet 16	
2	S67250	Primary Hose Deflector 2	2
3	S66430	Primary Hose Hose Suport - Main - Left side (shown) 1	1
	S66435	Primary Hose Hose Suport - Main - Right side 1	1
4	*****		
5	N67245	Primary Hose Hose Suport - Between 1	1
6	N67274	Spacer Plate 1	1
7	N67275	Kit - Primary Hose Hose Suport - Between (Includes items 5, 6, 21, 24 and 27)	
8	N51962	Coupler Tower - Between 1	1
9	N64095	Primary Hose Adapter 16	16
10	N37920	Equalizer 0	0
11	N19428	Hose - 2.54 ID x 2.79 OD x 5 Lg..... 16	16
12	N11905	Hose Clamp - 2 1/2 - HC5-44 (Air Cart side uses 36)..... 104	104
13	N64099	Hose Clamp - 3 - SSTCH5-400 (Range 3 1/8 - 3 3/4) 66	66
14	*****	Quick Coupler - 5 Run (Refer to Quick Coupler Assembly for details)..... 4	4
15	N66339	Distribution Pipe Support Bracket - Wing 10	10
16	N66359	Distribution Pipe Clamp - Wing 4	4
17	W-187	Hex Bolt - 3/8 x 1 1/4 Lg..... 40	40
18	W-480	Hex Bolt - 3/8 x 2 1/2 Lg (Refer to Divider Head Assembly for details)..... 2	2
19	BW-10	Hex Bolt - 3/4 x 1 3/4 Lg..... 2	2
20	C-3932	U-Bolt - 1/2 x 4 x 7 1/4 UL..... 10	10
21	H25628	U-Bolt - 1/2 x 6 1/16 x 9 3/8 UL..... 1	1
22	S39649	U-Bolt - 5/8 x 4 x 7 3/4 UL..... 2	2
23	S27987	Locknut - 3/8 Center Lock..... 40	40
24	W-516	Hex Nut - 1/2 22	22
25	W-517	Hex Nut - 5/8 4	4
26	W-518	Hex Nut - 3/4 2	2
27	W-525	Lockwasher - 1/2..... 22	22
28	W-526	Lockwasher - 5/8..... 4	4
29	W-527	Lockwasher - 3/4..... 2	2
30	R480034	Hose - .929 ID x 1.169 OD/ft (75 ft roll) 10"SP-1875 ft . . 12"SP-1500 ft . . 15"SP-1275 ft.	
	N73085	Hose - 1 ID x 1.250 OD (100 ft roll) - 2023 to 2025	
	N75770	Hose - 1 ID x 1.250 OD (100 ft roll) - RED (Fertilizer) - 2026 to Present	
	N75771	Hose - 1 ID x 1.250 OD (100 ft roll) - BLACK (Seed) - 2026 to Present	
31	N69294	Hose - 2 1/2 ID x 100 ft roll - Black (Air Cart side of couplers) (Seed) 250ft	250ft
	N72592	Hose - 2 1/2 ID x 100 ft roll - Red (Air Cart side of couplers) (Fertilizer)	
32	N75812	Hose - 3 ID x 100 ft roll - Black - (Seed)..... 400ft	400ft
	N75813	Hose - 3 ID x 100 ft roll - Red - (Fertilizer)	
33	N66396	Primary Pipe SS - 3 x 48 Lg..... 4	4
34	N64092	Primary Pipe SS - 3 x 72 Lg..... 4	4
35	N64096	Primary Pipe SS - 3 x 120 Lg..... 8	8
36	N66395	Primary Hose Guide Plate..... 2	2
37	N66775	Distribution Pipe Spacer - 6 pipe - Wing 6	6
38	N66855	Distribution Pipe Clamp - 2 pipe - Wing 2	2
39	N66860	Distribution Pipe Clamp - 4 pipe - Wing 4	4
40	N67640	Head Mounting Bracket - Straight..... 2	2
41	N19723	U-Bolt - 3/8 x 4 1/16 x 6 15/16 UL..... 8	8

Dual Shoot Offset Heads Tow Between - 70 ft - 21m - 9 primaries - 2023 to Present

Item	Part No.	Description	Qty
1	*****	For 10, 12 and 15 inch - 250mm, 300mm and 380mm spacing Divider Head Assembly (Refer to Divider Head Assembly for details) 10" spacing uses: N66509 - Divider Head Assembly - 9 Outlet 12 N66510 - Divider Head Assembly - 10 Outlet..... 6 12" spacing uses: N66507 - Divider Head Assembly - 7 Outlet 4 N66508 - Divider Head Assembly - 8 Outlet 14 15" spacing uses: N66506 - Divider Head Assembly - 6 Outlet 14 N66507 - Divider Head Assembly - 7 Outlet 4	
2	S67250	Primary Hose Deflector	2
3	S66430	Primary Hose Hose Suport - Main - Left side (shown)	1
	S66435	Primary Hose Hose Suport - Main - Right side	1
4	S65390	Divider Head Pedestal - Main Frame	1
5	N67245	Primary Hose Hose Suport - Between	1
6	N67274	Spacer Plate	1
7	N67275	Kit - Primary Hose Hose Suport - Between (Includes items 5, 6, 21, 24 and 27)	
8	N51962	Coupler Tower - Between	1
9	N64095	Primary Hose Adapter	18
10	N37920	Equalizer	0
11	N19428	Hose - 2.54 ID x 2.79 OD x 5 Lg.....	18
12	N11905	Hose Clamp - 2 1/2 - HC5-44 (Air Cart side uses 36).....	108
13	N64099	Hose Clamp - 3 - SSTCH5-400 (Range 3 1/8 - 3 3/4)	68
14	*****	Quick Coupler - 5 Run (Refer to Quick Coupler Assembly for details).....	4
15	N66339	Distribution Pipe Support Bracket - Wing	10
16	N66359	Distribution Pipe Clamp - Wing	4
17	W-187	Hex Bolt - 3/8 x 1 1/4 Lg.....	40
18	W-480	Hex Bolt - 3/8 x 2 1/2 Lg (Refer to Divider Head Assembly for details)	2
19	BW-10	Hex Bolt - 3/4 x 1 3/4 Lg.....	2
20	C-3932	U-Bolt - 1/2 x 4 x 7 1/4 UL.....	10
21	H25628	U-Bolt - 1/2 x 6 1/16 x 9 3/8 UL.....	1
22	S39649	U-Bolt - 5/8 x 4 x 7 3/4 UL.....	2
23	S27987	Locknut - 3/8 Center Lock.....	40
24	W-516	Hex Nut - 1/2	22
25	W-517	Hex Nut - 5/8	4
26	W-518	Hex Nut - 3/4	2
27	W-525	Lockwasher - 1/2.....	22
28	W-526	Lockwasher - 5/8.....	4
29	W-527	Lockwasher - 3/4.....	2
30	R480034	Hose - .929 ID x 1.169 OD/ft (75 ft roll) 10"SP-1875 ft . . 12"SP-1500 ft . . 15"SP-1275 ft.	
	N73085	Hose - 1 ID x 1.250 OD (100 ft roll) - 2023 to 2025	
	N75770	Hose - 1 ID x 1.250 OD (100 ft roll) - RED (Fertilizer) - 2026 to Present	
	N75771	Hose - 1 ID x 1.250 OD (100 ft roll) - BLACK (Seed) - 2026 to Present	
31	N69294	Hose - 2 1/2 ID x 100 ft roll - Black (Air Cart side of couplers) (Seed)	250ft
	N72592	Hose - 2 1/2 ID x 100 ft roll - Red (Air Cart side of couplers) (Fertilizer)	
32	N75812	Hose - 3 ID x 100 ft roll - Black - (Seed)	400ft
	N75813	Hose - 3 ID x 100 ft roll - Red - (Fertilizer)	
33	N66396	Primary Pipe SS - 3 x 48 Lg.....	4
34	N64092	Primary Pipe SS - 3 x 72 Lg.....	4
35	N64096	Primary Pipe SS - 3 x 120 Lg.....	8
36	N66395	Primary Hose Guide Plate.....	2
37	N66775	Distribution Pipe Spacer - 6 pipe - Wing	6
38	N66855	Distribution Pipe Clamp - 2 pipe - Wing	2
39	N66860	Distribution Pipe Clamp - 4 pipe - Wing	4
40	N67640	Head Mounting Bracket - Straight	2
41	N19723	U-Bolt - 3/8 x 4 1/16 x 6 15/16 UL	8

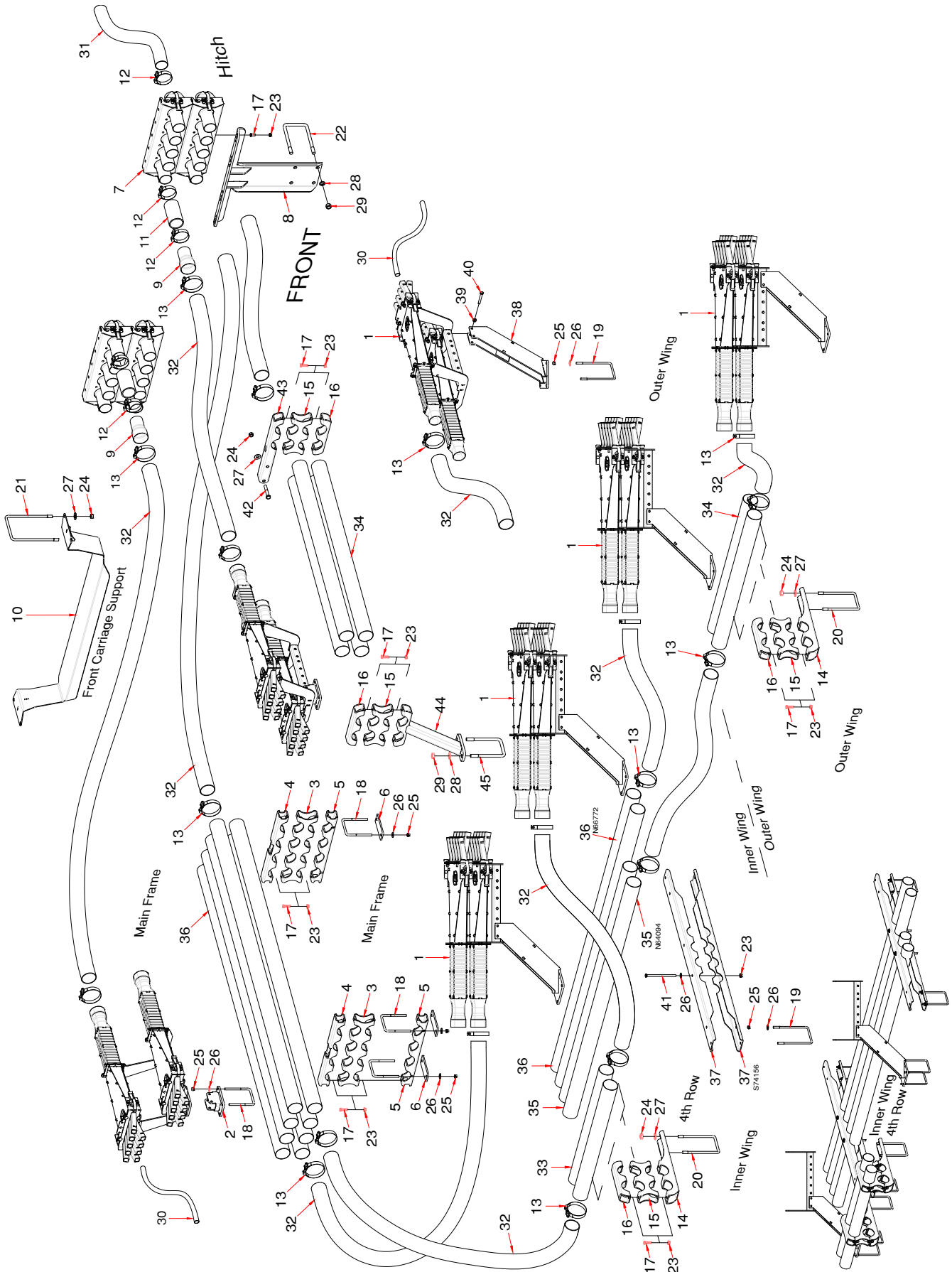
Dual Shot - Offset Heads - Tow Between - 2023 to 2024
80 ft - 24m - 10 primaries - 10 and 12 inch (250 - 300) Spacing



Dual Shoot Offset Heads Tow Between - 80 ft - 24m - 10 primaries - 2023 to 2024

Item	Part No.	Description	Qty
1	*****	For 10 and 12 inch - 250mm and 300mm spacing Divider Head Assembly (Refer to Divider Head Assembly for details) 10" spacing uses: 97 runs N66509 - Divider Head Assembly - 9 Outlet 6 N66510 - Divider Head Assembly - 10 Outlet..... 14 12" spacing uses: 82 runs N66508 - Divider Head Assembly - 8 Outlet 16 N66509 - Divider Head Assembly - 9 Outlet 4	
2	N67640	Head Mounting Bracket - Straight.....	2
3	N66322	Distribution Pipe Spacer - Main.....	2
4	N66321	Distribution Pipe Clamp - Main.....	2
5	N72833	Distribution Pipe Clamp - Front Carriage.....	2
6	N72834	Clamp Plat - Main.....	4
7	*****	Quick Coupler - 5 Run (Refer to Quick Coupler Assembly for details).....	4
8	N51962	Coupler Tower - Between.....	1
9	N64095	Primary Hose Adapter.....	20
10	N67245	Primary Hose Hose Suport - Between.....	1
11	N19428	Hose - 2.54 ID x 2.79 OD x 5 Lg.....	20
12	N73068	Hose Clamp -T-Bolt - 2 9/16 - 2 7/8.....	40
13	N64099	Hose Clamp - 3 - SSTCH5-400 (Range 3 1/8 - 3 3/4).....	104
14	N66339	Distribution Pipe Support Bracket - Wing.....	8
15	N66358	Distribution Pipe Spacer - 2 pipe - Wing.....	14
16	N66359	Distribution Pipe Clamp - Wing.....	12
17	W-187	Hex Bolt - 3/8 x 1 1/4 Lg.....	74
18	N15098	U-Bolt - 3/8 x 4 x 5 UL.....	8
19	N19723	U-Bolt - 3/8 x 4 1/16 x 6 15/16 UL.....	16
20	C-3932	U-Bolt - 1/2 x 4 x 7 1/4 UL.....	8
21	H21437	U-Bolt - 1/2 x 6 x 9 UL.....	4
22	F-4642	U-Bolt - 5/8 x 6 x 5 1/2 UL.....	2
23	S27987	Locknut - 3/8 Center Lock.....	74
24	S47110	Lock Nut - 1/2 Center Lock.....	28
25	10229	Locknut - 3/8 Nylock.....	48
26	W-538	Flat Washer - 7/16.....	48
27	S-766	Flat Washer - 1/2.....	28
28	W-526	Lockwasher - 5/8.....	8
29	W-517	Nut - 5/8.....	8
30	N73085	Hose - 1 ID x 1.250 OD (100 ft roll).....	21
	N75770	Hose - 1 ID x 1.250 OD (100 ft roll) - RED (Fertilizer) - 2026 to Present	
	N75771	Hose - 1 ID x 1.250 OD (100 ft roll) - BLACK (Seed) - 2026 to Present	
31	N69294	Hose - 2 1/2 ID x 100 ft roll - Black (Air Cart side of couplers) (Seed).....	275ft
	N72592	Hose - 2 1/2 ID x 100 ft roll - Red (Air Cart side of couplers) (Fertilizer).....	
32	N75812	Hose - 3 ID x 100 ft roll - Black - (Seed).....	2
	N75813	Hose - 3 ID x 100 ft roll - Red - (Fertilizer).....	2
33	S72398	Primary Pipe SS - 3 x 36 Lg.....	4
34	N66396	Primary Pipe SS - 3 x 48 Lg.....	12
35	N64092	Primary Pipe SS - 3 x 72 Lg.....	8
36	N64094	Primary Pipe SS - 3 x 96 Lg.....	8
37	N66860	Distribution Pipe Clamp - 4 pipe - Wing.....	2
38	N66775	Distribution Pipe Spacer - 6 pipe - Wing.....	4
39	N66855	Distribution Pipe Clamp - 2 pipe - Wing.....	2
40	S72391	Mount Bracket.....	8
41	S72979	Hose Guard.....	2
42	M-3388	Locknut - 3/8 Uitorque.....	20
43	W-480	Hex Bolt - 3/8 x 2 1/2 Lg.....	20
44	W-492	Hex Bolt - 1/2 x 3 Lg.....	4
45	N73189	Distribution Pipe Clamp - 2 pipe.....	2
46	N73186	Distribution Pipe Stand - 2 pipe.....	2
47	S39649	U-Bolt - 5/8 x 4 x 7 3/4 UL.....	4

Dual Shot - Offset Heads - Tow Between - 2025
80 ft - 24m - 10 primaries - 10 and 12 inch (250 - 300) Spacing



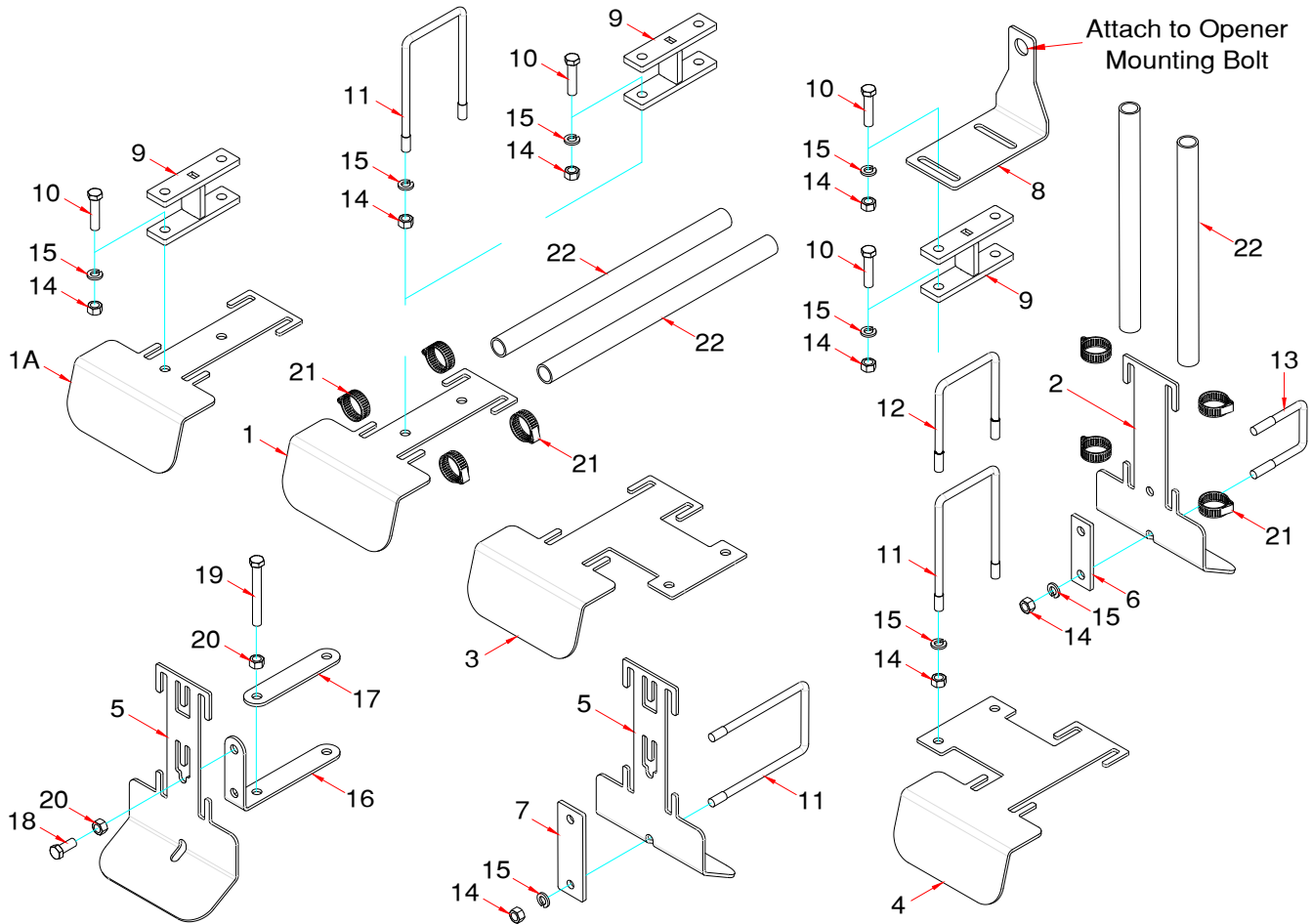
Dual Shoot Offset Heads Tow Between - 80 ft - 24m - 10 primaries - 2025

Item	Part No.	Description	Qty
1	*****	For 10 and 12 inch - 250mm and 300mm spacing Divider Head Assembly (Refer to Divider Head Assembly for details) 10" spacing uses: 97 runs N66509 - Divider Head Assembly - 9 Outlet 6 N66510 - Divider Head Assembly - 10 Outlet..... 14 12" spacing uses: 82 runs N66508 - Divider Head Assembly - 8 Outlet 16 N66509 - Divider Head Assembly - 9 Outlet 4	
2	N67640	Head Mounting Bracket - Straight.....	2
3	N66322	Distribution Pipe Spacer - Main.....	2
4	N66321	Distribution Pipe Clamp - Main.....	2
5	N72833	Distribution Pipe Clamp - Front Carriage.....	2
6	N72834	Clamp Plat - Main.....	4
7	*****	Quick Coupler - 5 Run (Refer to Quick Coupler Assembly for details).....	4
8	N51962	Coupler Tower - Between.....	1
9	N64095	Primary Hose Adapter.....	20
10	N67245	Primary Hose Hose Suport - Between.....	1
11	N19428	Hose - 2.54 ID x 2.79 OD x 5 Lg.....	20
12	N73068	Hose Clamp -T-Bolt - 2 9/16 - 2 7/8.....	40
13	N64099	Hose Clamp - 3 - SSTCH5-400 (Range 3 1/8 - 3 3/4).....	104
14	N66339	Distribution Pipe Support Bracket - Wing.....	8
15	N66358	Distribution Pipe Spacer - 2 pipe - Wing.....	16
16	N66359	Distribution Pipe Clamp - Wing.....	12
17	W-187	Hex Bolt - 3/8 x 1 1/4 Lg.....	56
18	N15098	U-Bolt - 3/8 x 4 x 5 UL.....	8
19	N19723	U-Bolt - 3/8 x 4 1/16 x 6 15/16 UL.....	16
20	C-3932	U-Bolt - 1/2 x 4 x 7 1/4 UL.....	8
21	H21437	U-Bolt - 1/2 x 6 x 9 UL.....	4
22	F-4642	U-Bolt - 5/8 x 6 x 5 1/2 UL.....	2
23	S27987	Locknut - 3/8 Center Lock.....	64
24	S47110	Lock Nut - 1/2 Center Lock.....	28
25	10229	Locknut - 3/8 Nylock.....	60
26	W-538	Flat Washer - 7/16.....	60
27	S-766	Flat Washer - 1/2.....	28
28	W-526	Lockwasher - 5/8.....	8
29	W-517	Nut - 5/8.....	8
30	N73085	Hose - 1 ID x 1.250 OD (100 ft roll) - 2023 to 2025.....	21
	N75770	Hose - 1 ID x 1.250 OD (100 ft roll) - RED (Fertilizer) - 2026 to Present	
	N75771	Hose - 1 ID x 1.250 OD (100 ft roll) - BLACK (Seed) - 2026 to Present	
31	N69294	Hose - 2 1/2 ID x 100 ft roll - Black (Air Cart side of couplers) (Seed).....	275ft
	N72592	Hose - 2 1/2 ID x 100 ft roll - Red (Air Cart side of couplers) (Fertilizer)	
32	N75812	Hose - 3 ID x 100 ft roll - Black - (Seed).....	2
	N75813	Hose - 3 ID x 100 ft roll - Red - (Fertilizer).....	2
33	S72398	Primary Pipe SS - 3 x 36 Lg.....	4
34	N66396	Primary Pipe SS - 3 x 48 Lg.....	12
35	N64094	Primary Pipe SS - 3 x 96 Lg.....	8
36	N66772	Primary Pipe SS - 3 x 108 Lg.....	4
37	S74156	Mount Bracket.....	8
38	S72391	Mount Bracket.....	8
39	M-3388	Locknut - 3/8 Unitorque.....	20
40	W-480	Hex Bolt - 3/8 x 2 1/2 Lg.....	20
41	C-3918	Hex Bolt - 3/8 x 5 Lg.....	8
42	W-492	Hex Bolt - 1/2 x 3 Lg.....	4
43	N73189	Distribution Pipe Clamp - 2 pipe.....	2
44	N73186	Distribution Pipe Stand - 2 pipe.....	2
45	S39649	U-Bolt - 5/8 x 4 x 7 3/4 UL.....	4

Dual Shoot Offset Heads Tow Between - 80 ft - 24m - 10 primaries - 2026 to Present

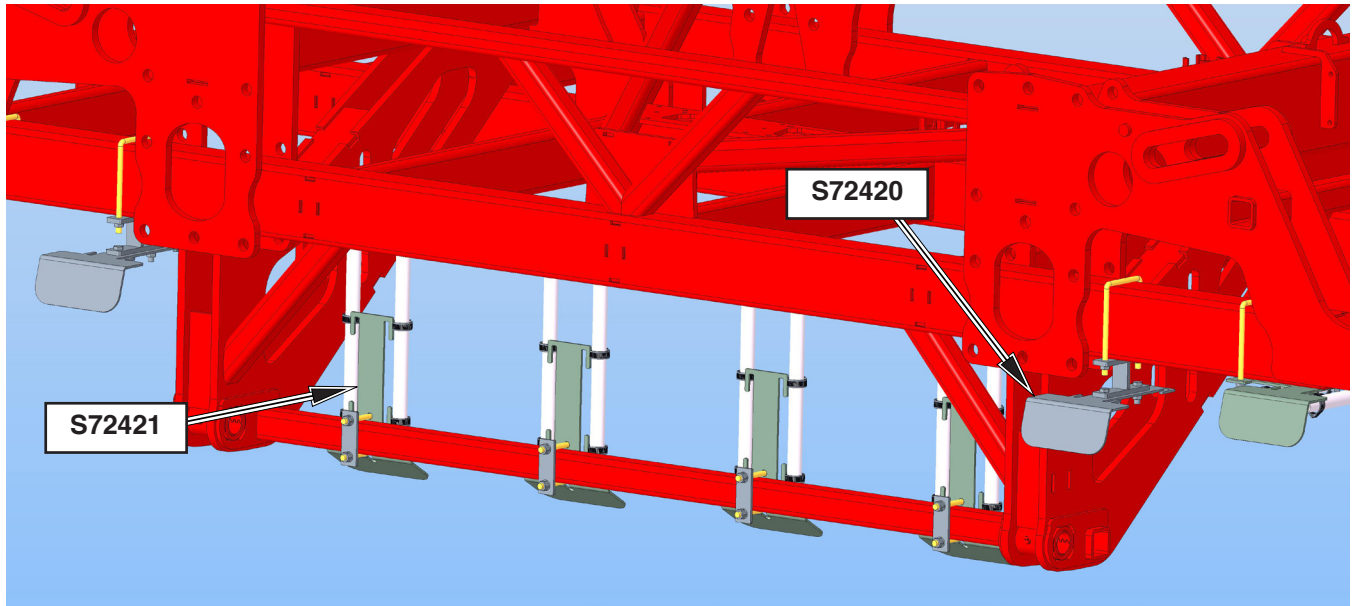
Item	Part No.	Description	Qty
1	*****	For 10 and 12 inch - 250mm and 300mm spacing Divider Head Assembly (Refer to Divider Head Assembly for details) 10" spacing uses: 97 runs N66509 - Divider Head Assembly - 9 Outlet 6 N66510 - Divider Head Assembly - 10 Outlet..... 14 12" spacing uses: 82 runs N66508 - Divider Head Assembly - 8 Outlet 16 N66509 - Divider Head Assembly - 9 Outlet 4	
2	N67640	Head Mounting Bracket - Straight.....	2
3	N66322	Distribution Pipe Spacer - Main.....	2
4	N66321	Distribution Pipe Clamp - Main.....	2
5	N72833	Distribution Pipe Clamp - Front Carriage.....	2
6	N72834	Clamp Plat - Main.....	4
7	*****	Quick Coupler - 5 Run (Refer to Quick Coupler Assembly for details).....	4
8	N51962	Coupler Tower - Between.....	1
9	N64095	Primary Hose Adapter.....	20
10	N67245	Primary Hose Hose Suport - Between.....	1
11	N19428	Hose - 2.54 ID x 2.79 OD x 5 Lg.....	20
12	N73068	Hose Clamp -T-Bolt - 2 9/16 - 2 7/8.....	40
13	N64099	Hose Clamp - 3 - SSTCH5-400 (Range 3 1/8 - 3 3/4).....	104
14	N66339	Distribution Pipe Support Bracket - Wing.....	8
15	N66358	Distribution Pipe Spacer - 2 pipe - Wing.....	16
16	N66359	Distribution Pipe Clamp - Wing.....	12
17	W-187	Hex Bolt - 3/8 x 1 1/4 Lg.....	56
18	N15098	U-Bolt - 3/8 x 4 x 5 UL.....	8
19	N19723	U-Bolt - 3/8 x 4 1/16 x 6 15/16 UL.....	16
20	C-3932	U-Bolt - 1/2 x 4 x 7 1/4 UL.....	8
21	H21437	U-Bolt - 1/2 x 6 x 9 UL.....	4
22	F-4642	U-Bolt - 5/8 x 6 x 5 1/2 UL.....	2
23	S27987	Locknut - 3/8 Center Lock.....	64
24	S47110	Lock Nut - 1/2 Center Lock.....	28
25	10229	Locknut - 3/8 Nylock.....	60
26	W-538	Flat Washer - 7/16.....	60
27	S-766	Flat Washer - 1/2.....	28
28	W-526	Lockwasher - 5/8.....	8
29	W-517	Nut - 5/8.....	8
30	N73085	Hose - 1 ID x 1.250 OD (100 ft roll) - 2023 to 2025.....	21
	N75770	Hose - 1 ID x 1.250 OD (100 ft roll) - RED (Fertilizer) - 2026 to Present	
	N75771	Hose - 1 ID x 1.250 OD (100 ft roll) - BLACK (Seed) - 2026 to Present	
31	N69294	Hose - 2 1/2 ID x 100 ft roll - Black (Air Cart side of couplers) (Seed).....	275ft
	N72592	Hose - 2 1/2 ID x 100 ft roll - Red (Air Cart side of couplers) (Fertilizer)	
32	N75812	Hose - 3 ID x 100 ft roll - Black - (Seed).....	2
	N75813	Hose - 3 ID x 100 ft roll - Red - (Fertilizer).....	2
33	S72398	Primary Pipe SS - 3 x 36 Lg.....	4
34	N66396	Primary Pipe SS - 3 x 48 Lg.....	12
35	N64094	Primary Pipe SS - 3 x 96 Lg.....	12
36	*****		
37	S74156	Mount Bracket.....	8
38	S72391	Mount Bracket.....	8
39	M-3388	Locknut - 3/8 Unitorque.....	20
40	W-480	Hex Bolt - 3/8 x 2 1/2 Lg.....	20
41	C-3918	Hex Bolt - 3/8 x 5 Lg.....	8
42	W-492	Hex Bolt - 1/2 x 3 Lg.....	4
43	N73189	Distribution Pipe Clamp - 2 pipe.....	2
44	N73186	Distribution Pipe Stand - 2 pipe.....	2
45	S39649	U-Bolt - 5/8 x 4 x 7 3/4 UL.....	4

Broadcast Kit 10 and 12 inch (250 - 300mm) Spacing

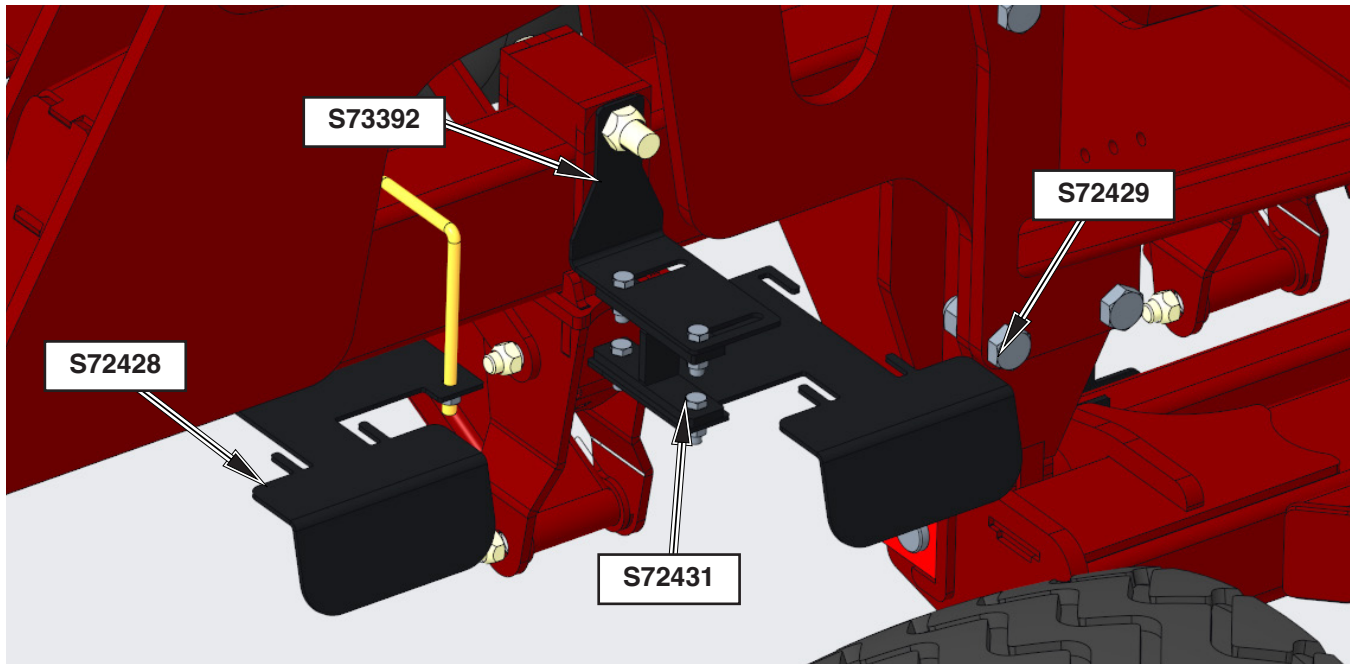


Item	Part No.	Description	Qty
1	S72420	Deflector - Wing.....	AsReq
1A	S76546	Deflector - 80ft Flip Wing - 10 inch spacing.....	2
2	S72421	Deflector - Main.....	AsReq
3	S72428	Deflector - Right.....	AsReq
4	S72429	Deflector - Left.....	AsReq
5	S73224	Deflector - Main - 80 ft.....	1
Quantities below are per Deflector Assembly			
6	S72422	Clamp.....	1
7	S72395	Clamp - 80 ft - Prior to 2026.....	1
8	S73392	Bracket - 80 ft.....	1
9	S72431	Shank Mount Spacer.....	1
10	S-776	Hex Bolt - 1/2 x 1 1/2 Lg.....	2
11	C-3932	U-Bolt - 1/2 x 4 x 7 1/4 UL.....	1
12	S-1934	U-Bolt - 1/2 x 4 x 5 9/16 UL (Only used on 80ft Flip Wing 2 per Drill).....	1
13	D-4825	U-Bolt - 1/2 x 2 1/2 x 3 3/4 UL.....	1
14	W-516	Hex Nut - 1/2.....	2
15	W-525	Lockwasher - 1/2.....	2
16	S76544	Tube Clamp Bracket - 80 ft - 2026 to Present.....	1
17	S76545	Tube Clamp Strap - 80 ft - 2026 to Present.....	1
18	W-484	Hex Bolt - 1/2 x 1 Lg.....	2
19	W-492	Hex Bolt - 1/2 x 3 Lg.....	2
20	S47110	Lock Nut - 1/2 Center.....	4
21	N11470	Hose Clamp - 1 - HC5-20.....	4
22	R480034	Hose - .929 ID x 1.169 OD/ft (75 ft roll).....	AsReq
	N73085	Hose - 1 ID x 1.250 OD (100 ft roll) - 2023 to Present	

Broadcast Kit



Main Frame - 60 ft 10 inch spacing shown



Main Frame - 80 ft 10 inch spacing shown

Notes

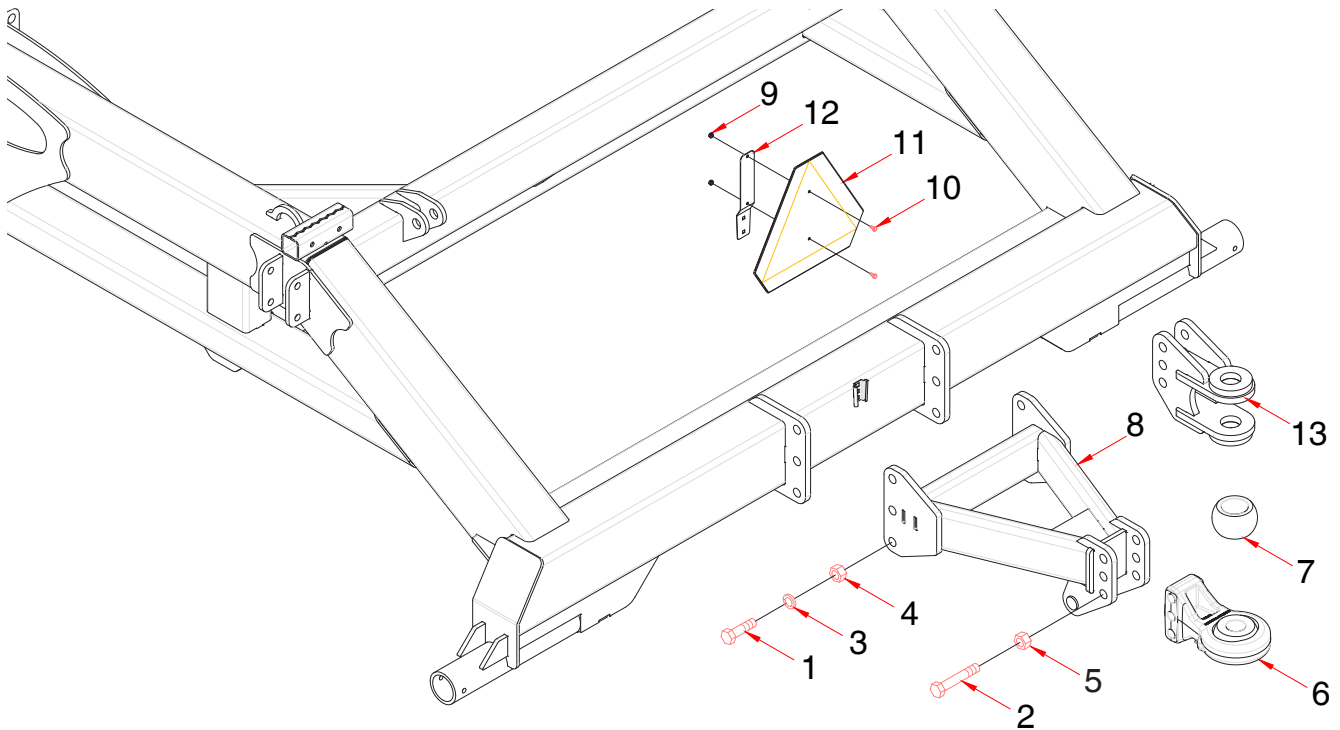
Section 6: Options

Section Contents

Rear Tow Hitch	6-2
Remote Clutch Switch	6-3
4th Row Kit	6-4
40 ft - 12m	6-4
50 ft - 15m	6-6
60 ft - 18m	6-8
70 ft - 21m	6-10
Weight Kit	6-12

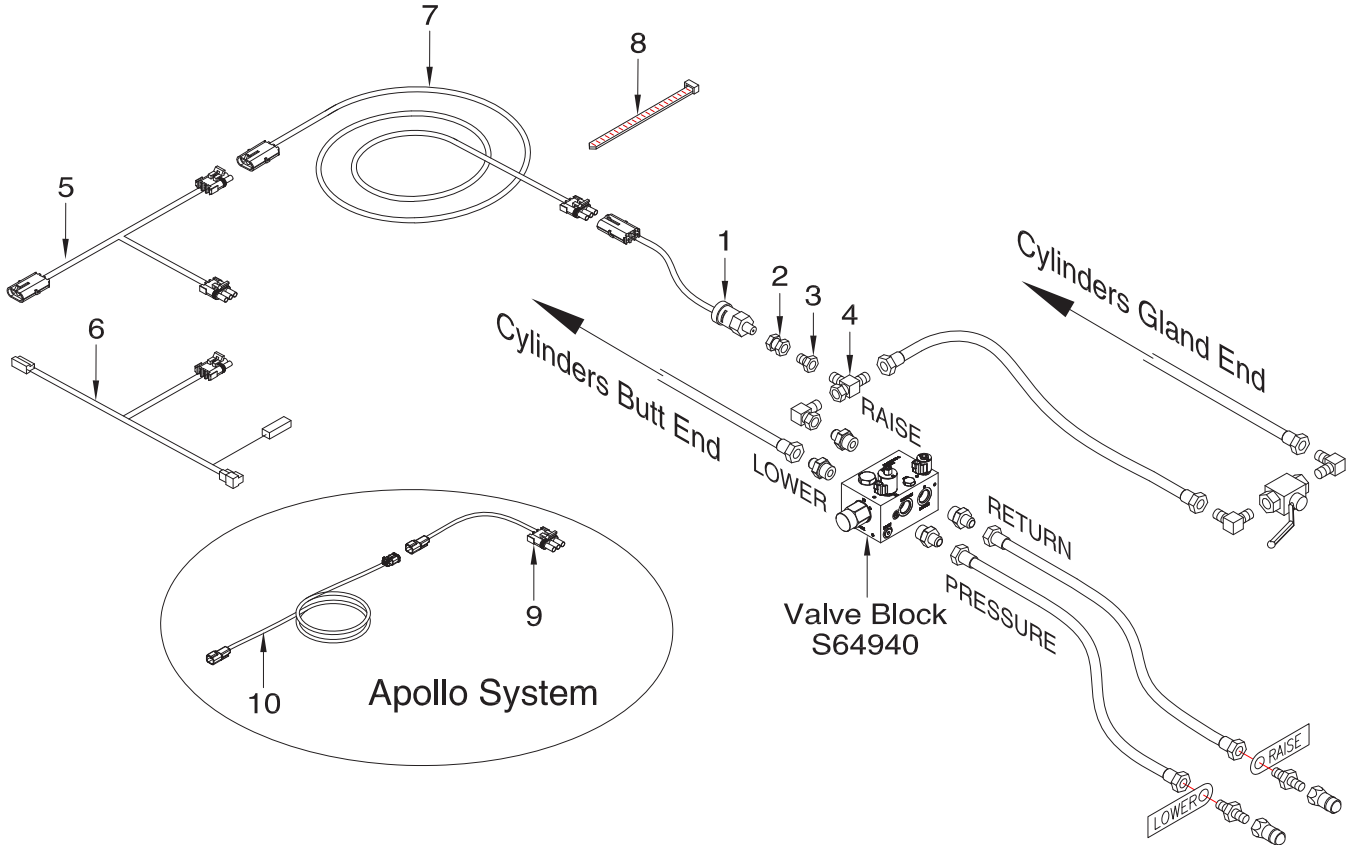
Options

Rear Tow Hitch



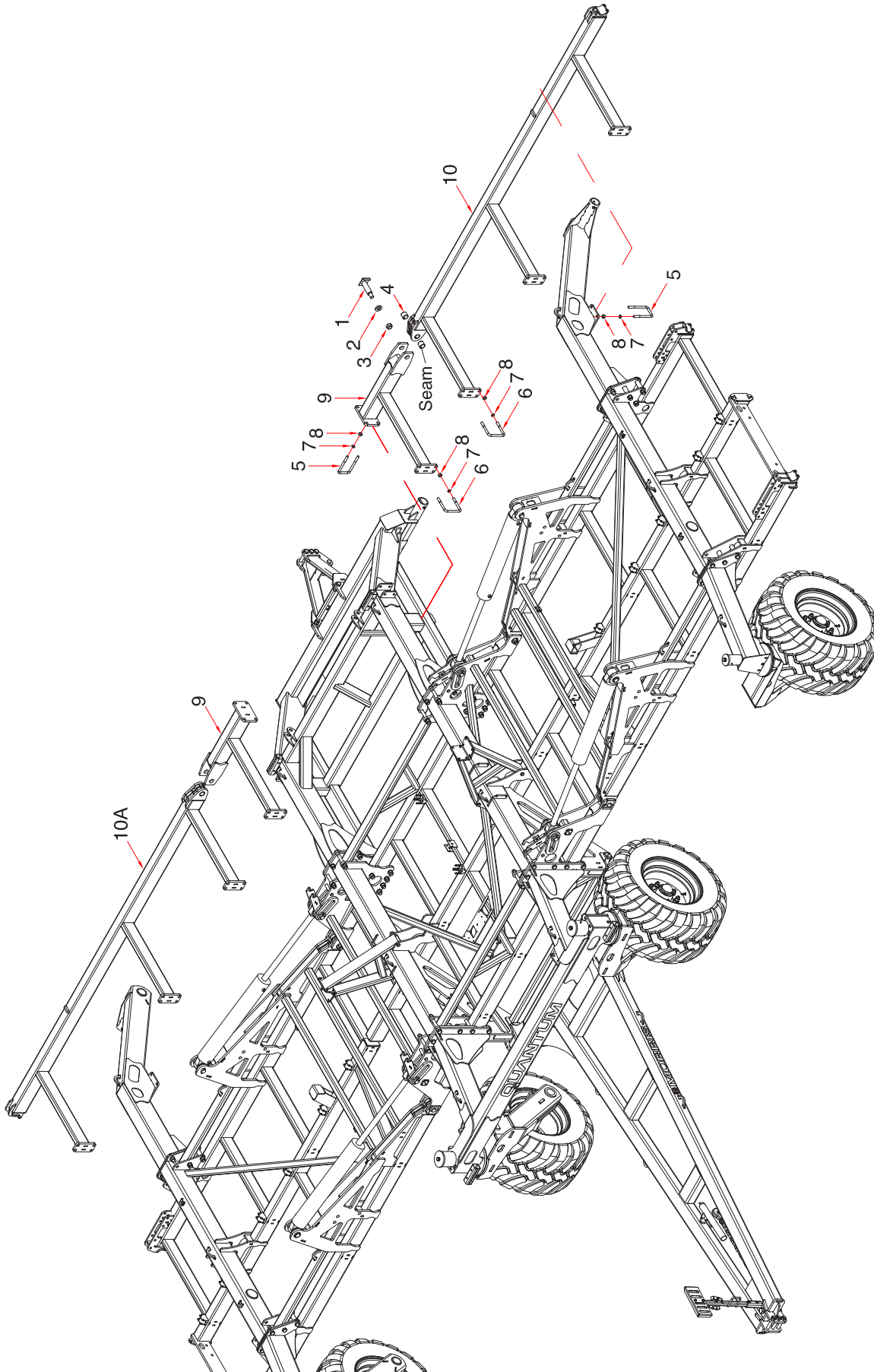
Item	Part No.	Description	Qty
1	J12344	Hex Bolt - 1 x 3 Lg.....	3
2	S42952	Hex Bolt - 1 x 6 5/8 Lg.....	3
3	C-705	Lockwasher - 1.....	3
4	W-520	Hex Nut - 1.....	3
5	D-5274	Lock Nut - 1 Unitorque.....	3
6	S64300	Clevis - CAT 5 (2 Diameter Draw Pin) (Includes item 7).....	1
6A	S66236	Clevis - CAT 4 (1 1/2 Pin Diameter Draw Pin) (Includes item 7A)	
6B	K62145	Clevis - CAT 4 (2 Pin Diameter Draw Pin) (Includes item 7B)	
7	S65738	Clevis Insert - CAT 5 - (2 Diameter Draw Pin).....	1
7A	S65740	Clevis Insert - CAT 4 - (1 1/2 Diameter Draw Pin)	
7B	S67388	Clevis Insert - CAT 4 - (2 Diameter Draw Pin)	
8	S64355	Rear Tow Hitch.....	1
9	N22778	Locknut - 1/4 Nylon Insert.....	2
10	K-3830	Hex Bolt - 1/4 x 1/2 Lg.....	2
11	N34475	SMV Sign.....	1
12	N34643	Spade Mount Bracket.....	1
13	N68790	Optional Clevis - (2 Diameter Draw Pin)	
<p>Used to attach a Tow Behind Quad Steer Cart as follows:</p> <p>S66236 Clevis CAT 4 - 1 1/2 Pin Diameter Draw Pin</p> <ul style="list-style-type: none"> - 9365, 9450 and 9535 Tow Behind Carts - 9445, 9550 and 9650 Tow Behind Carts - Prior to 2018 - 9800 and 91000 Tow Behind Carts - Prior to 2018 <p>S64300 Clevis CAT 5 - 2 Pin Diameter Draw Pin</p> <p>or K62145 Clevis CAT 4 - 2 Diameter Draw Pin could be used.</p> <ul style="list-style-type: none"> - 9445, 9550 and 9650 Tow Behind Carts - 2018 to Present - 9800 and 91000 Tow Behind Carts - 2018 to Present 			

Remote Clutch Switch



Item	Part No.	Description	Qty
Ground Drive and Base X20 and X30 Systems			
1	S56558	Pressure Switch	1
2	S42998	Connector - 1/4 FNPT x 9/16-18 FJIC	1
3	F10384	Connector - 9/16-18 MJIC x 7/8-14 FJIC	1
4	H18746	Tee - Swivel - (2) 7/8-14 MJIC x (1) 7/8-14 FJIC	1
5	N32482	Connector - 'Y' Wire - Tow Behind ONLY - Weather Pak Ends	1
6	N32483	Connector - 'Y' Wire - Tow Between ONLY - Weather Pak Ends	1
7	N32457	Wire - Clutch Extension (Main) - 37 1/2 ft - Weather Pak Ends.....	1
8	S13336	Tie Strap.....	4
	S54297	Tow Between - Work Switch Kit (Includes Items 1, 2, 3, 4, 6, 7, and 8)	
	S54298	Tow Behind - Work Switch Kit (Includes Items 1, 2, 3, 4, 5, 7, and 8)	
Apollo System - 2016			
1	S56558	Pressure Switch	1
2	S42998	Connector - 1/4 FNPT x 9/16-18 FJIC	1
3	F10384	Connector - 9/16-18 MJIC x 7/8-14 FJIC	1
4	H18746	Tee - Swivel - (2) 7/8-14 MJIC x (1) 7/8-14 FJIC	1
9	N60323	Harness Adaptor - Pressure Work Switch.....	1
10	N59010	Harness - Work Switch - 5 m.....	1

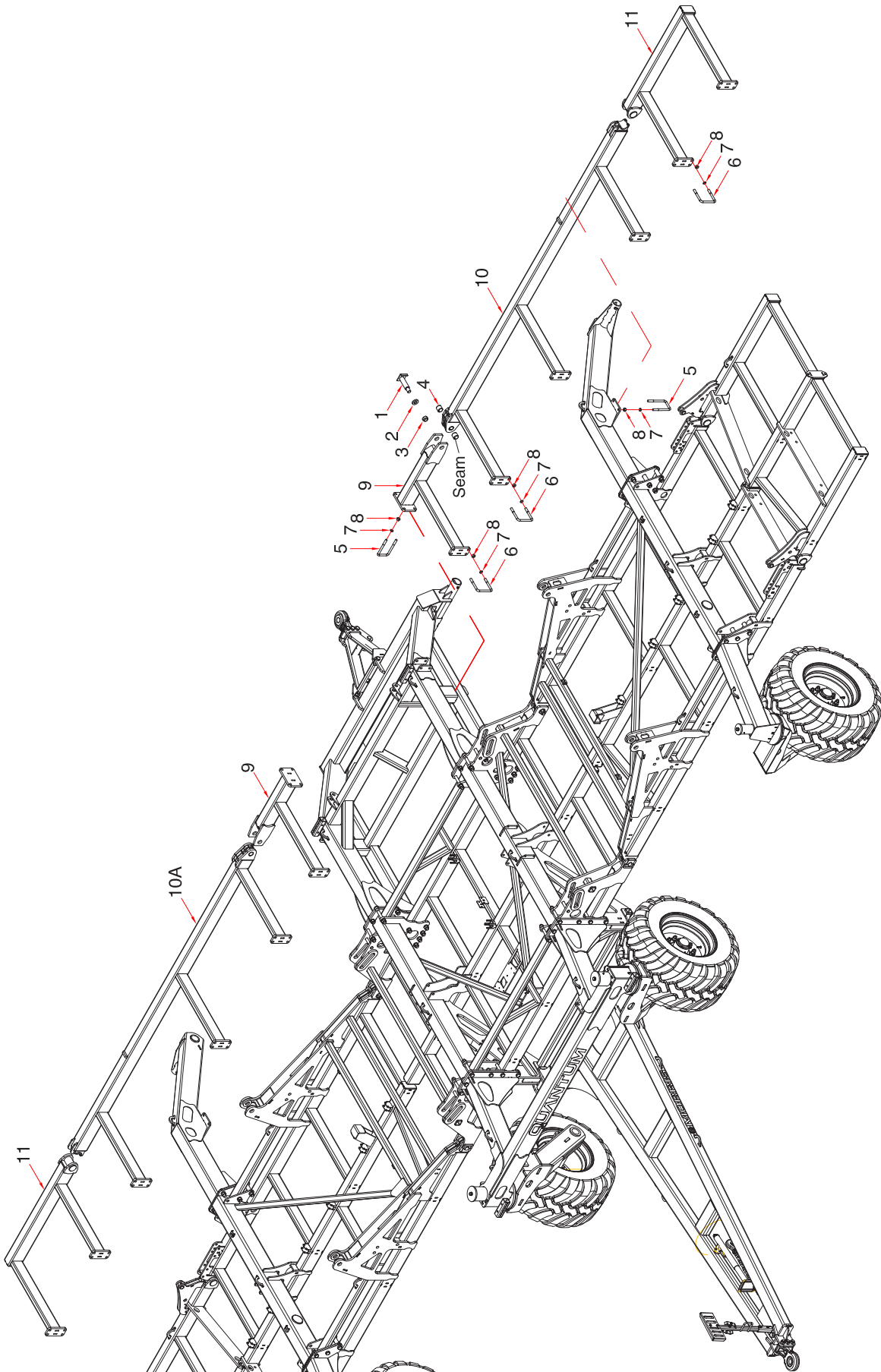
4th Row Kit 40 ft - 12m



4th Row Kit - 40 ft - 12m

Item	Part No.	Description	Qty
1	S64305	Pin - 1 3/4 x 5 1/2 Lg.....	2
2	S26462	Washer - 1 1/4 ID x 2 1/2 OD x 3/8 Thick.....	2
3	S39780	Lock Nut - 1 1/4 Unitorque	2
4	S64325	Bushing - Spring - 1.75 x 2.00 x 1.75 Lg Nominal Size.....	4
5	C26955	U-Bolt - 3/4 x 4 x 8 UL.....	8
6	S64958	U-Bolt - 3/4 x 6 1/16 x 6 1/4 UL.....	16
7	W-527	Lockwasher - 3/4.....	48
8	W-518	Hex Nut - 3/4.....	48
9	S65765	Draft Beam - Main	2
10	S65787	Draft Beam - Inner Left.....	1
10A	S65789	Draft Beam - Inner Right	1
	S65884	4th Row Kit - 40 ft (Includes all above items) Order through Whole Goods	

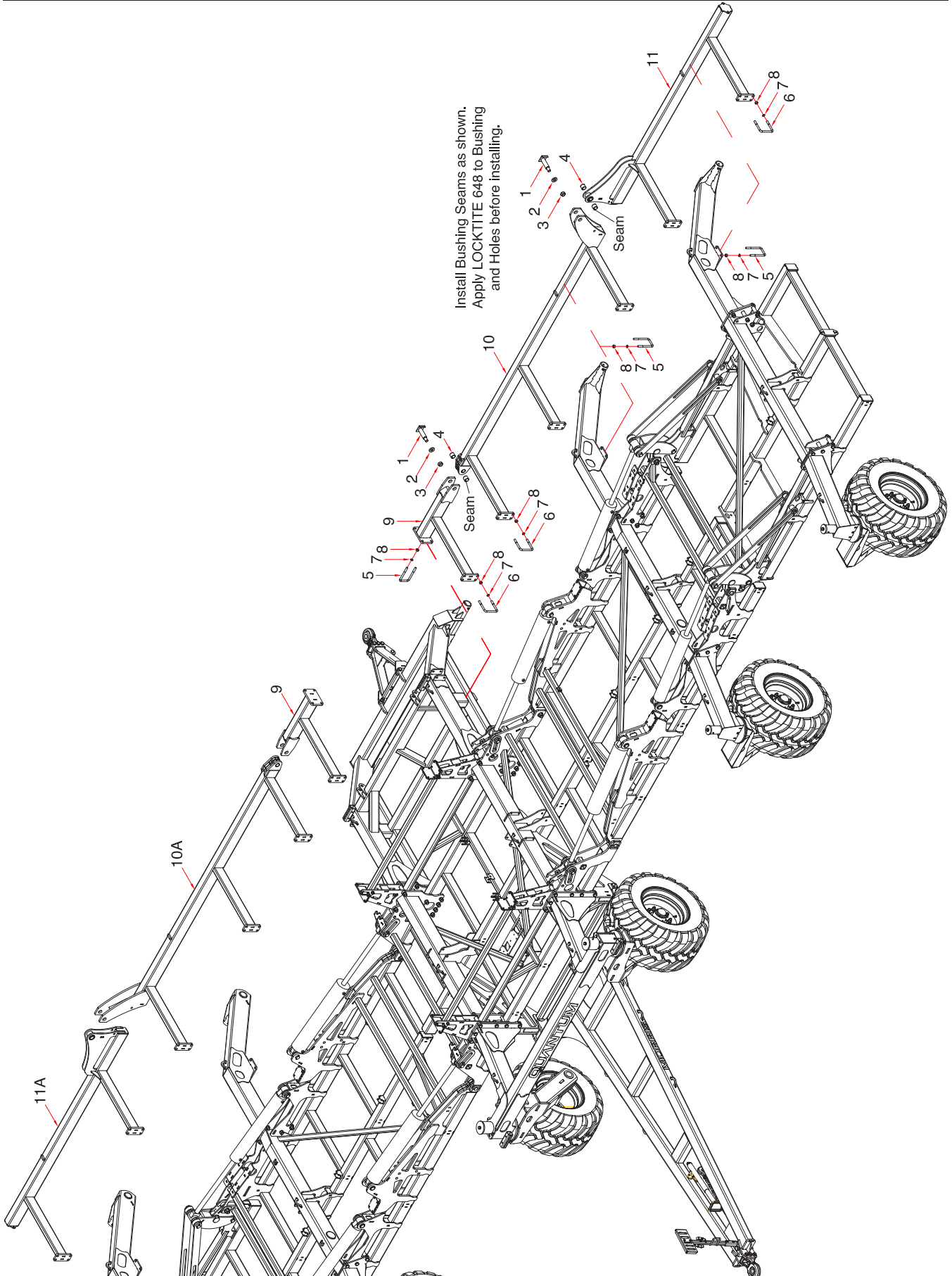
4th Row Kit
50 ft - 15m



4th Row Kit - 50 ft - 15m

Item	Part No.	Description	Qty
1	S64305	Pin - 1 3/4 x 5 1/2 Lg.....	2
2	S26462	Washer - 1 1/4 ID x 2 1/2 OD x 3/8 Thick.....	2
3	S39780	Lock Nut - 1 1/4 Uunitorque	2
4	S64325	Bushing - Spring - 1.75 x 2.00 x 1.75 Lg Nominal Size.....	4
5	C26955	U-Bolt - 3/4 x 4 x 8 UL.....	8
6	S64958	U-Bolt - 3/4 x 6 1/16 x 6 1/4 UL.....	24
7	W-527	Lockwasher - 3/4.....	64
8	W-518	Hex Nut - 3/4.....	64
9	S65765	Draft Beam - Main	2
10	S65787	Draft Beam - Inner Left.....	1
10A	S65789	Draft Beam - Inner Right	1
11	S65791	Draft Beam - Flip Wing	2
	S65883	4th Row Kit - 50 ft (Includes all above items) Order through Whole Goods	

4th Row Kit 60 ft - 18m



4th Row Kit - 60 ft - 18m

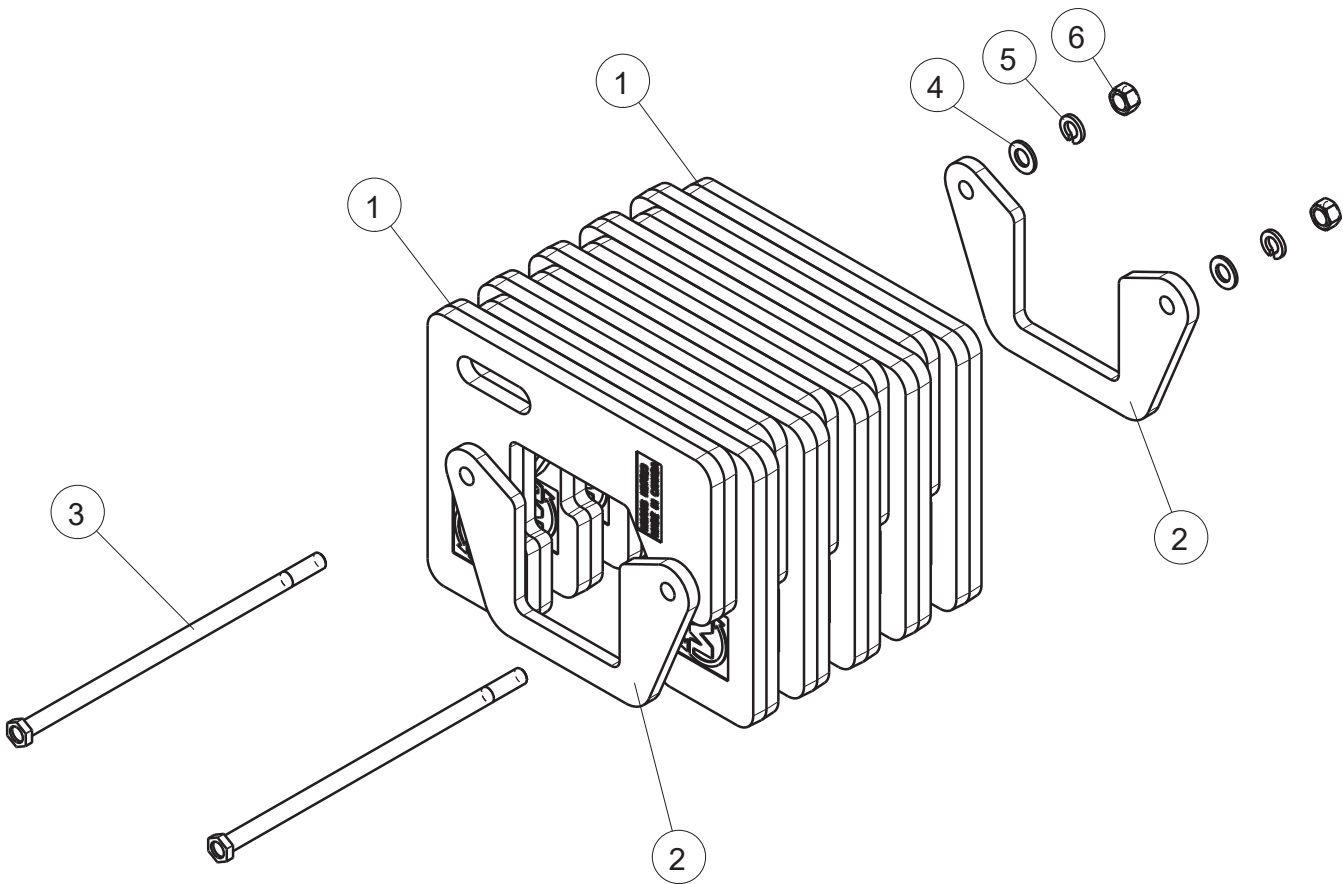
Item	Part No.	Description	Qty
1	S64305	Pin - 1 3/4 x 5 1/2 Lg.....	4
2	S26462	Washer - 1 1/4 ID x 2 1/2 OD x 3/8 Thick.....	4
3	S39780	Lock Nut - 1 1/4 Uunitorque	4
4	S64325	Bushing - Spring - 1.75 x 2.00 x 1.75 Lg Nominal Size.....	8
5	C26955	U-Bolt - 3/4 x 4 x 8 UL.....	12
6	S64958	U-Bolt - 3/4 x 6 1/16 x 6 1/4 UL.....	24
7	W-527	Lockwasher - 3/4.....	72
8	W-518	Hex Nut - 3/4.....	72
9	S65765	Draft Beam - Main	2
10	S65778	Draft Beam - Inner Left.....	1
10A	S65780	Draft Beam - Inner Right	1
11	S65782	Draft Beam - Outer Left	1
11A	S65784	Draft Beam - Outer Right.....	1
	S65882	4th Row Kit - 60 ft (Includes all above items) Order through Whole Goods	

4th Row Kit - 70 ft - 21m

Item	Part No.	Description	Qty
1	S64305	Pin - 1 3/4 x 5 1/2 Lg.....	4
2	S26462	Washer - 1 1/4 ID x 2 1/2 OD x 3/8 Thick.....	4
3	S39780	Lock Nut - 1 1/4 Uunitorque	4
4	S64325	Bushing - Spring - 1.75 x 2.00 x 1.75 Lg Nominal Size.....	8
5	C26955	U-Bolt - 3/4 x 4 x 8 UL.....	12
6	S64958	U-Bolt - 3/4 x 6 1/16 x 6 1/4 UL.....	28
7	W-527	Lockwasher - 3/4.....	80
8	W-518	Hex Nut - 3/4.....	80
9	S65765	Draft Beam - Main	2
10	S65767	Draft Beam - Inner Left.....	1
10A	S65769	Draft Beam - Inner Right	1
11	S65771	Draft Beam - Outer Left	1
11A	S65773	Draft Beam - Outer Right.....	1
	S65881	4th Row Kit - 70 ft (Includes all above items) Order through Whole Goods	

Options

Weight Kit



**Note: Wrap Weights (1) around beam alternating left to right.
Mount on Inner Wing.**

Item	Part No.	Description	Qty
1	N37523	Weight - 50lb	10
2	S65692	Weight Retainer Bracket.....	2
3	S65750	Rod - 3/4 Dia x 17 3/4 Lg	2
4	W-476	Flat Washer - 3/4.....	2
5	W-527	Lockwasher - 3/4.....	2
6	W-518	Hex Nut - 3/4.....	2
	S65755	Weight Kit (Includes all above items)	

Index

10229 5-29, 5-45, 5-85, 5-87, 5-89, 5-105, 5-107, 5-109	C-4401 4-19, 4-21, 4-23, 4-25, 4-27, 4-29, 4-31, 4-33, 4-35, 4-37, 4-39, 4-41, 4-43, 4-45, 4-47, 4-50	C53848 4-60	23, 4-25, 4-27, 4-29, 4-31, 4-33, 4-35, 4-37, 4-39, 4-41, 4-43, 4-45, 4-47, 4-55, 4-57, 4-59, 5-4, 5-5
11547 1-7, 1-9, 1-11	C-4403 4-3, 4-5, 4-7, 4-9, 4-19, 4-21, 4-23, 4-25, 4-27, 4-29, 4-31, 4-33, 4-35, 4-37, 4-39, 4-41, 4-43, 4-45, 4-47, 4-50	C53849 4-3, 4-5, 4-7, 4-9, 4-60	D-5280 1-52, 1-53, 1-54, 1-55
11678 1-29, 1-33, 1-49	C-4468 4-41, 4-50	C60599 4-52	D-5488 4-13, 1-52, 1-54
11740 1-19, 4-37, 4-47	C-4698 4-3, 4-5, 4-7, 4-9, 4-13, 4-29, 4-31, 4-33, 4-35, 4-37, 4-39, 4-41, 4-43, 4-45, 4-47	C64546 4-49, 4-21, 4-52	D-5489 3-13, 4-57, 4-59
B	C14840 4-3, 4-5, 4-7, 4-9, 4-13, 4-19, 4-21, 4-23, 4-25, 4-27, 4-29, 4-31, 4-33, 4-35, 4-37, 4-39, 4-41, 4-43, 4-45, 4-47	C64920 1-45, 1-47, 1-49, 1-51, 4-3, 4-5, 4-7, 4-9	D-5519 1-7, 1-9, 1-11, 1-52, 1-53, 1-54, 1-55
BW-10 1-13, 1-15, 1-17, 5-15, 5-17, 5-19, 5-21, 5-23, 5-25, 5-27, 5-31, 5-33, 5-35, 5-37, 5-39, 5-41, 5-43, 5-47, 5-49, 5-51, 5-53, 5-55, 5-57, 5-59, 5-61, 5-63, 5-65, 5-67, 5-69, 5-71, 5-73, 5-75, 5-77, 5-79, 5-81, 5-83, 5-91, 5-93, 5-95, 5-97, 5-99, 5-101, 5-103	C15319 4-13	C64930 1-45, 1-47, 1-49, 1-51, 4-3, 4-5, 4-7, 4-9	D-5558 1-13, 1-39, 3-3
C	C15348 4-3, 4-5, 4-7, 4-9, 4-11, 4-19, 4-21, 4-23, 4-25, 4-27, 4-29, 4-31, 4-33, 4-35, 4-37, 4-39, 4-41, 4-43, 4-45, 4-47	C65366 1-27, 4-5	D12903 1-21, 1-23, 1-25, 1-29, 1-31, 1-33, 1-35, 1-37, 1-39
C-219 5-29, 5-87, 5-89	C15839 4-50	C65377 4-52	D14565 1-19
C-695 1-7, 1-9, 1-11, 1-19, 1-21, 1-23, 1-25, 1-29, 1-31, 1-33, 1-35, 1-37, 1-39, 1-41, 1-43	C18597 1-13, 1-15, 1-17, 1-19	C65379 4-52	F
C-705 1-13, 1-15, 1-17, 1-19, 1-21, 1-23, 1-25, 1-29, 1-31, 1-33, 1-35, 1-37, 1-39, 6-2	C24585 4-3, 4-5, 4-7, 4-9, 4-19, 4-21, 4-23, 4-25, 4-27, 4-29, 4-31, 4-33, 4-35, 4-37, 4-39, 4-41, 4-43, 4-45, 4-47	C66871 4-52	F-1767 2-6, 3-9
C-1471 1-51, 4-11, 4-53	C25809 1-7, 1-9, 1-11, 1-21, 1-23, 1-25, 1-29, 1-31, 1-33, 1-35, 1-37, 1-39	C66872 4-52	F-3056 1-3
C-1550 3-13, 4-57, 4-59	C25810 1-3, 1-5, 1-21, 1-25, 1-29, 1-31, 1-33, 1-35, 1-37, 1-39	C66873 4-52	F-3405 1-3, 1-5, 1-7, 1-9, 1-11, 1-21, 1-23, 1-25, 1-29, 1-31, 1-33, 1-35, 1-37, 1-39, 1-49, 1-52, 1-54, 1-55, 1-53, 3-12, 4-55
C-3918 4-3, 4-5, 4-7, 4-13, 5-87, 4-9, 5-89, 5-107, 5-109	C26321 1-3, 1-5	C68272 3-9, 4-52	F-3867 4-19, 4-21, 4-23, 4-25, 4-27, 4-29, 4-31, 4-33, 4-35, 4-37, 4-39, 4-41, 4-43, 4-45
C-3932 5-51, 5-15, 5-17, 5-19, 1-19, 5-21, 5-23, 5-25, 5-27, 5-29, 5-31, 5-33, 5-35, 5-37, 5-39, 5-41, 5-43, 5-45, 5-47, 5-49, 5-53, 5-55, 5-57, 5-59, 5-61, 5-63, 5-65, 5-67, 5-69, 5-71, 5-73, 5-75, 5-77, 5-79, 5-81, 5-83, 5-85, 5-87, 5-89, 5-91, 5-93, 5-95, 5-97, 5-99, 5-101, 5-103, 5-105, 5-107, 5-109, 5-110	C26701 5-29, 5-85, 5-87, 5-89	C71900 3-7, 3-9, 4-52	F-4490 3-3
C-4262 4-49, 4-50	C26955 6-5, 6-7, 6-9, 1-43	C72090 3-9, 4-52, 4-24	F-4565 4-13
C-4393 4-19, 4-21, 4-23, 4-25, 4-27, 4-29, 4-31, 4-33, 4-35, 4-37, 4-39, 4-41, 4-43, 4-45, 4-47	C28505 4-13	C72344 1-41, 4-9	F-4642 4-49, 5-15, 5-17, 5-19, 5-21, 5-23, 5-25, 5-27, 5-45, 5-47, 5-49, 5-51, 5-53, 5-55, 5-57, 5-71, 5-73, 5-75, 5-77, 5-79, 5-81, 5-83, 5-85, 5-105, 5-107, 5-109
C-4394 4-29, 4-31, 4-33, 4-35, 4-39, 4-41, 4-43, 4-45	C29565 4-3, 4-5, 4-7, 4-9	C72720 4-52, 4-24	F10384 4-19, 4-21, 4-23, 4-25, 4-27, 4-29, 4-31, 4-33, 4-35, 4-39, 4-41, 4-43, 4-45, 4-49, 4-50, 4-37, 4-47
	C31439 1-54, 1-55	D	F24559 4-49
	C32741 1-13, 1-15, 1-17, 1-19, 1-23, 1-25, 1-29, 1-33, 1-41	D-4825 5-110	H
	C32925 1-19, 4-37, 4-47	D-4838 4-13, 4-29, 4-31, 4-33, 4-35, 4-39, 4-41, 4-43, 4-45, 4-59	H-4408 4-29, 4-31, 4-33, 4-35, 4-39, 4-41, 4-43, 4-45
	C39432 1-3, 1-5	D-4932 1-11, 5-51, 5-53, 5-55, 5-15, 5-17, 5-19, 5-21, 5-23, 5-25, 5-27, 5-47, 5-49, 4-57, 5-57, 4-59, 5-71, 5-73, 5-75, 5-77, 5-79, 5-81, 5-83	H-4410 4-49
	C42311 4-49	D-4951 1-52, 4-9, 4-13, 4-37, 4-47, 1-53, 1-54, 1-55	H18269 4-29, 4-31, 4-33, 4-35, 4-39, 4-41, 4-43, 4-45
	C42312 4-49	D-5054 4-11	H18746 4-49, 6-3
	C42313 4-49	D-5238 2-4, 2-5	H21437 5-29, 5-45, 5-85, 5-87, 5-89, 5-105, 5-107, 5-109
	C44461 4-52	D-5239 1-9, 1-11	
	C53847 4-60	D-5243 3-20, 3-21, 3-22, 3-23	
		D-5247 2-4, 2-5	
		D-5260 3-18, 3-19	
		D-5261 3-20, 3-21, 3-22, 3-23	
		D-5272 3-3, 3-5	
		D-5273 1-5, 1-11, 1-29, 1-33, 1-37, 1-49, 1-51, 3-3	
		D-5274 1-3, 1-5, 3-3, 3-5	
		D-5275 1-41, 3-7, 3-9	
		D-5277 5-4, 5-5, 5-8, 5-9, 5-11, 5-13	
		D-5278 1-52, 1-54, 1-55, 1-53, 4-13, 5-8, 5-9	
		D-5279 1-9, 4-19, 1-23, 1-25, 1-29, 1-33, 1-37, 1-41, 4-9, 4-11, 4-21, 4-	

H25628 ,4-3,4-5,4-9,4-13,4-19,4-21,4-23,4-25,4-27,4-29,4-31,4-33,4-35,4-39,4-41,4-43,1-52,5-65,5-67,5-69,5-31,5-33,5-35,5-37,4-37,5-39,5-41,5-43,4-45,4-47,5-59,5-61,5-63,5-91,5-93,5-95,5-97,5-99,5-101,5-103	21,3-22,3-23,5-8,5-9,5-110 N11905 5-15,5-17,5-19,5-21,5-23,5-25,5-27,5-31,5-33,5-35,5-37,5-39,5-41,5-43,5-47,5-49,5-51,5-53,5-55,5-57,5-59,5-61,5-63,5-65,5-67,5-69,5-71,5-73,5-75,5-77,5-79,5-81,5-83,5-91,5-93,5-95,5-97,5-99,5-101,5-103	69,5-79,5-81,5-83,5-85,5-87,5-89,5-99,5-101,5-103,5-105,5-107,5-109 N22778 1-7,1-9,1-11,1-51,4-11 N29048 1-52,1-53,1-54,1-55 N29358 4-19,4-21,4-23,4-25,4-27,4-29,4-31,4-33,4-35,4-37,4-39,4-41,4-43,4-45,4-47 N31012 3-7 N31016 5-4,5-5 N31908 4-3,4-5,4-7,4-9 N32457 6-3 N32482 6-3 N32483 6-3 N33243 2-6 N33244 2-6 N33245 2-6 N33547 2-6 N33548 2-6 N33549 2-6 N33550 2-6 N34319 4-3,4-5,4-7,4-9,4-11,4-19,4-21,4-23,4-25,4-27,4-29,4-31,4-33,4-35,4-37,4-39,4-41,4-43,4-45,4-47 N34443 4-3,4-5,4-7,4-9,4-13,4-19,4-21,4-23,4-25,4-27,4-29,4-31,4-33,4-35,4-37,4-39,4-41,4-43,4-45,4-47 N34475 1-7,1-9,1-11,6-2 N34476 1-7,1-9,1-11,1-52,1-53,1-54,1-55 N34477 1-7,1-9,1-11,1-52,1-53,1-54,1-55 N34478 1-7,1-9,1-11,1-52,1-53,1-54,1-55 N34488 4-13,4-15,4-17 N34498 4-15,4-17 N34505 4-13 N34576 4-13 N34577 4-13 N34578 4-13 N34643 1-7,1-9,1-11,6-2 N34646 4-13 N34836 5-6,5-7 N36597 5-6,5-7 N37523 6-12 N37787 3-20,3-21,3-22,3-23 N37914 4-13,4-15,4-17 N37915 4-13,4-15,4-17 N37920 5-23,5-25,5-27,5-	29,5-39,5-41,5-43,5-55,5-57,5-67,5-69,5-79,5-81,5-83,5-85,5-87,5-89,5-99,5-101,5-103 N40735 5-4,5-5 N42098 5-6,5-7 N42213 5-4,5-5,5-8,5-9 N42880 4-3,4-5,4-7,4-9,4-11,4-19,4-21,4-23,4-25,4-27,4-29,4-31,4-33,4-35,4-37,4-39,4-41,4-43,4-45,4-47 N42881 4-3,4-5,4-7,4-9,4-19,4-21,4-23,4-25,4-27,4-29,4-31,4-33,4-35,4-37,4-39,4-41,4-43,4-45,4-47 N44710 1-3,1-5 N45644 4-53 N47903 4-19,4-21,4-23,4-25,4-27,4-29,4-31,4-33,4-35,4-37,4-39,4-41,4-43,4-45,4-47 N48126 4-23,4-25,4-39,4-41 N50365 1-11,1-52,1-53,1-54,1-55 N50366 1-11,1-52,1-53,1-54,1-55 N50842 5-11,5-13,5-23,5-39,5-55,5-67,5-79,5-99 N51955 5-5 N51960 5-5 N51962 5-31,5-33,5-35,5-37,5-39,5-41,5-43,5-45,5-91,5-93,5-95,5-97,5-99,5-101,5-103,5-105,5-107,5-109 N51983 5-4 N53200 5-4 N53203 5-15,5-17,5-19,5-21,5-23,5-25,5-27,5-29,5-47,5-49,5-51,5-53,5-55,5-57,5-71,5-73,5-75,5-77,5-79,5-81,5-83,5-85,5-87,5-89 N53207 5-4 N53209 5-5 N53211 4-3,4-5,4-7,4-9 N53215 5-4,5-5,5-8,5-9 N53696 4-19,4-21,4-23,4-29,4-37,4-39,4-41,4-43,4-45,4-47 N53713 ii N53715 ii N54295 4-13 N55218 2-4,2-5
J J12344 1-13,1-15,1-17,1-19,1-21,1-29,1-31,1-33,1-35,6-2	N13956 2-5 N13959 2-4,2-5 N13962 1-9,1-11,1-27,2-4,2-5 N13968 2-2,2-3 N14009 3-10,3-11,3-12,3-13 N14011 3-10,3-11,3-12,3-13 N15098 4-57,4-59,5-29,5-45,5-85,5-87,5-89,5-105,5-107,5-109 N15757 1-13,1-15,1-17,1-19,1-23,1-25,1-29,1-33,1-41,1-47,1-49 N15990 4-15,4-17 N16143 4-3,4-5,4-7,4-9 N16257 4-3,4-5,4-7,4-9,4-13 N16608 4-13 N19428 5-15,5-17,5-19,5-21,5-23,5-25,5-27,5-29,5-31,5-33,5-35,5-37,5-39,5-41,5-43,5-45,5-47,5-49,5-51,5-53,5-55,5-57,5-59,5-61,5-63,5-65,5-67,5-69,5-71,5-73,5-75,5-77,5-79,5-81,5-83,5-85,5-87,5-89,5-91,5-93,5-95,5-97,5-99,5-101,5-103,5-105,5-107,5-109		
K K-3830 1-7,1-9,1-11,6-2 K-3832 1-41 K-5806 4-3,4-5,4-7,4-9,4-19,4-21,4-23,4-25,4-27,4-29,4-31,4-33,4-35,4-37,4-39,4-41,4-43,4-45,4-47,4-49,4-50 K50834 4-13 K56777 2-2 K62145 1-3,1-5,6-2 K62977 4-19,4-21,4-23,4-25,4-27,4-29,4-31,4-33,4-35,4-37,4-39,4-41,4-43,4-45,4-47,4-53,4-55,4-57,4-59 K65090 1-7,1-21,1-23,1-25,1-29,1-31,1-33,1-35,2-2 K65091 1-7,1-21,1-23,1-25,1-29,1-31,1-33,1-35,2-2 K65177 2-6 K65178 2-6 K65885 ii K68627 1-41,4-9 K72371 3-11,3-13 K73230 4-15,4-17			
M M-3388 1-27,1-41,1-45,1-47,1-49,1-51,3-9,3-10,3-13,1-53,1-55,4-15,4-17,4-55,4-57,4-59,5-11,5-13,5-29,5-45,5-85,5-87,5-89,5-105,5-107,5-109	N19458 4-13 N19484 1-9,1-11,2-4,2-5 N19578 4-19,4-21,4-23,4-25,4-27,4-29,4-31,4-33,4-35,4-37,4-39,4-41,4-43,4-45,4-47 N19678 ,4-3,4-9,4-13,4-15,4-17,1-53,1-55 N19723 1-9,4-50,5-57,5-11,5-13,5-23,5-25,5-27,5-29,5-39,5-41,5-43,5-45,5-55,5-67,5-		
N N11470 3-18,3-19,3-20,3-			

N55450 ii	107,5-109	85,5-87,5-89,5-91,5-	63,5-65,5-67,5-69,5-
N55452 ii	N64583 4-61,4-62	93,5-95,5-97,5-99,5-	71,5-75,5-77,5-79,5-
N55453 ii	N64671 4-55,4-57	101,5-103,5-105,5-	81,5-83,5-91,5-95,5-
N56957 4-3,4-5,4-7,4-9	N64747 4-13,1-52,1-54	107,5-109	97,5-99,5-101,5-103
N58340 4-13	N65131 5-8,5-9	N66358 5-25,5-27,5-29,5-	N66508 5-9,5-15,5-17,5-
N58341 4-13	N65140 4-53	41,5-43,5-45,5-51,5-	21,5-23,5-25,5-27,5-
N58342 4-13	N65141 4-53	53,5-63,5-65,5-75,5-	29,5-31,5-33,5-37,5-
N58343 4-13	N65142 4-53	77,5-85,5-87,5-89,5-	39,5-41,5-43,5-45,5-
N58670 4-13	N65143 4-53	95,5-97,5-105,5-107,5-	47,5-49,5-53,5-55,5-
N58671 1-3,1-5,4-13	N65145 4-53	109	57,5-59,5-61,5-65,5-
N59010 ,4-55,4-57	N65146 4-53	N66359 5-15,5-17,5-19,5-	67,5-69,5-71,5-73,5-
N60323 6-3	N65147 4-53	21,5-23,5-25,5-27,5-	77,5-79,5-81,5-83,5-
N64092 5-17,5-19,5-21,5-	N65148 4-53	29,5-31,5-33,5-35,5-	85,5-87,5-89,5-91,5-
23,5-25,5-27,5-29,5-	N65149 4-53	37,5-39,5-41,5-43,5-	93,5-97,5-99,5-101,5-
39,5-41,5-43,5-45,5-	N65385 5-11	45,5-47,5-49,5-51,5-	103,5-105,5-107,5-109
49,5-51,5-53,5-55,5-	N66092 5-67,5-99	53,5-55,5-57,5-59,5-	N66509 5-9,5-21,5-23,5-
57,5-69,5-73,5-75,5-	N66140 5-11	61,5-63,5-65,5-67,5-	25,5-27,5-29,5-37,5-
77,5-79,5-81,5-83,5-	N66141 5-11,5-91	69,5-71,5-73,5-75,5-	39,5-41,5-43,5-45,5-
85,5-101,5-103,5-105	N66175 5-8,5-9	77,5-79,5-81,5-83,5-	53,5-55,5-57,5-65,5-
N64094 5-15,5-17,5-19,5-	N66176 5-8	85,5-87,5-89,5-91,5-	67,5-69,5-77,5-79,5-
21,5-23,5-25,5-27,5-	N66177 5-8	93,5-95,5-97,5-99,5-	81,5-83,5-85,5-87,5-
29,5-33,5-35,5-37,5-	N66178 5-9	101,5-103,5-105,5-	89,5-97,5-99,5-101,5-
39,5-45,5-47,5-49,5-	N66179 5-9	107,5-109	103,5-105,5-107,5-109
51,5-53,5-55,5-57,5-	N66180 5-9	N66374 5-21,5-23,5-37,5-	N66510 5-9,5-25,5-27,5-
61,5-63,5-65,5-67,5-	N66234 5-59,5-61,5-63,5-	39,5-53,5-55,5-65,5-	29,5-41,5-43,5-45,5-
71,5-73,5-75,5-77,5-	65,5-67,5-69	67,5-77,5-79,5-97,5-99	57,5-69,5-81,5-83,5-
79,5-81,5-83,5-85,5-	N66321 5-15,5-17,5-19,5-	N66375 5-21,5-23,5-37,5-	85,5-87,5-89,5-101,5-
87,5-89,5-93,5-95,5-	21,5-23,5-25,5-27,5-	39,5-53,5-55,5-65,5-	103,5-105,5-107,5-109
97,5-99,5-105,5-107,5-	29,5-45,5-47,5-49,5-	67,5-77,5-79,5-97,5-99	N66516 5-8
109	51,5-53,5-55,5-57,5-	N66395 1-23,1-25,5-21,5-	N66517 5-8
N64095 5-15,5-17,5-19,5-	71,5-73,5-75,5-77,5-	23,5-25,5-27,5-37,5-	N66518 5-9
21,5-23,5-25,5-27,5-	79,5-81,5-83,5-85,5-	39,5-41,5-43,5-53,5-	N66519 5-9
29,5-31,5-33,5-35,5-	87,5-89,5-105,5-107,5-	55,5-57,5-65,5-67,5-	N66520 5-9
37,5-39,5-41,5-43,5-	109	69,5-77,5-79,5-81,5-	N66556 5-8
45,5-47,5-49,5-51,5-	N66322 5-45,5-47,5-49,5-	83,5-97,5-99,5-101,5-	N66557 5-8
53,5-55,5-57,5-59,5-	51,5-53,5-55,5-57,5-	103	N66558 5-9
61,5-63,5-65,5-67,5-	71,5-73,5-75,5-77,5-	N66396 5-15,5-19,5-	N66559 5-9
69,5-71,5-73,5-75,5-	79,5-81,5-83,5-105,5-	21,5-25,5-27,5-29,5-	N66560 5-9
77,5-79,5-81,5-83,5-	107,5-109	31,5-35,5-37,5-41,5-	N66662 5-9
85,5-87,5-89,5-91,5-	N66325 5-15,5-17,5-19,5-	43,5-45,5-47,5-51,5-	N66663 5-9
93,5-95,5-97,5-99,5-	21,5-23,5-25,5-27,5-	53,5-57,5-59,5-63,5-	N66672 5-9
101,5-103,5-105,5-	47,5-49,5-51,5-53,5-	65,5-69,5-71,5-75,5-	N66673 5-9
107,5-109	55,5-57,5-71,5-73,5-	77,5-81,5-83,5-85,5-	N66772 5-107
N64096 5-25,5-27,5-41,5-	75,5-77,5-79,5-81,5-83	87,5-89,5-91,5-95,5-	N66775 5-55,5-57,5-67,5-
43,5-57,5-69,5-81,5-	N66335 5-15,5-17,5-19,5-	97,5-101,5-103,5-105,5-	69,5-79,5-81,5-83,5-
83,5-101,5-103	21,5-23,5-25,5-27,5-	107,5-109	85,5-99,5-101,5-103,5-
N64099 5-15,5-17,5-19,5-	47,5-49,5-51,5-53,5-	N66506 5-8,5-15,5-19,5-	105
21,5-23,5-25,5-27,5-	55,5-57,5-71,5-73,5-	23,5-27,5-31,5-35,5-	N66855 5-55,5-57,5-67,5-
29,5-31,5-33,5-35,5-	75,5-77,5-79,5-81,5-83	39,5-43,5-47,5-51,5-	69,5-79,5-81,5-83,5-
37,5-39,5-41,5-43,5-	N66339 5-15,5-17,5-19,5-	55,5-57,5-59,5-63,5-	85,5-99,5-101,5-103,5-
45,5-47,5-49,5-51,5-	21,5-23,5-25,5-27,5-	67,5-69,5-71,5-75,5-	105
53,5-55,5-57,5-59,5-	29,5-31,5-33,5-35,5-	79,5-83,5-91,5-95,5-	N66860 5-57,5-69,5-81,5-
61,5-63,5-65,5-67,5-	37,5-39,5-41,5-43,5-	99,5-103	83,5-85,5-101,5-103,5-
69,5-71,5-73,5-75,5-	45,5-47,5-49,5-51,5-	N66507 5-8,5-15,5-19,5-	105
77,5-79,5-81,5-83,5-	53,5-55,5-57,5-59,5-	21,5-23,5-25,5-27,5-	N67037 4-55,4-57
85,5-87,5-89,5-91,5-	61,5-63,5-65,5-67,5-	31,5-35,5-37,5-39,5-	N67038 4-55,4-57,4-59
93,5-95,5-97,5-99,5-	69,5-71,5-73,5-75,5-	41,5-43,5-47,5-51,5-	N67045 4-55,4-57,4-59
101,5-103,5-105,5-	77,5-79,5-81,5-83,5-	53,5-55,5-57,5-59,5-	N67046 4-55,4-57,4-59

N67051 4-55, 4-57	93, 5-95, 5-97, 5-99, 5-	N73796 4-15	N75925 5-6
N67052 4-55, 4-57	101, 5-103, 5-105, 5-	N73797 4-17	N75930 5-7
N67200 5-11, 5-13, 5-15, 5-19, 5-21, 5-23, 5-31, 5-35, 5-37, 5-39, 5-47, 5-51, 5-53, 5-55, 5-59, 5-63, 5-65, 5-67, 5-71, 5-75, 5-77, 5-79, 5-91, 5-95, 5-97, 5-99	107, 5-109	N73798 4-15	N75931 5-7
N67202 5-11, 5-13, 5-15, 5-19, 5-21, 5-23, 5-31, 5-35, 5-37, 5-39, 5-47, 5-51, 5-53, 5-55, 5-59, 5-63, 5-65, 5-67, 5-71, 5-75, 5-77, 5-79, 5-91, 5-95, 5-97, 5-99	N69768 4-15, 4-17	N73799 4-17	N75932 5-6
N67245 5-31, 5-33, 5-35, 5-37, 5-39, 5-41, 5-43, 5-45, 5-59, 5-61, 5-63, 5-65, 5-67, 5-69, 5-91, 5-93, 5-95, 5-97, 5-99, 5-101, 5-103, 5-105, 5-107, 5-109	N69804 4-15, 4-17	N74222 4-59	N75933 5-7
N67274 5-31, 5-33, 5-35, 5-37, 5-39, 5-41, 5-43, 5-59, 5-61, 5-63, 5-65, 5-67, 5-69, 5-91, 5-93, 5-95, 5-97, 5-99, 5-101, 5-103, 5-105, 5-107, 5-109	N69879 4-15, 4-17	N74261 4-59	N75935 5-7
N67275 5-31, 5-33, 5-35, 5-37, 5-39, 5-41, 5-43, 5-59, 5-61, 5-63, 5-65, 5-67, 5-69, 5-91, 5-93, 5-95, 5-97, 5-99, 5-101, 5-103, 5-105, 5-107, 5-109	N70812 2-6	N74299 1-7, 1-11	N75939 5-6, 5-7
N67500 1-52, 1-54	N70813 2-6	N74321 4-15, 4-17	N75940 5-6, 5-7
N67640 5-11, 5-13, 5-25, 5-27, 5-29, 5-41, 5-43, 5-45, 5-57, 5-69, 5-73, 5-77, 5-81, 5-83, 5-85, 5-87, 5-89, 5-93, 5-101, 5-103, 5-105, 5-107, 5-109	N70814 2-6	N74324 4-17	N76122 5-6
N67798 4-55, 4-57	N70816 2-6	N74325 4-17	N76123 5-7
N68000 4-55, 4-57, 4-59	N70874 1-11, 2-6	N74326 4-15, 4-17	N76255 5-6, 5-7
N68001 4-55, 4-57, 4-59	N71511 5-13	N74327 4-15, 4-17	N76500 5-6, 5-7
N68002 4-55, 4-57	N72030 4-55, 4-57, 4-59	N74330 4-15, 4-17	N76501 5-6, 5-7
N68388 4-13	N72160 5-9	N74331 4-15, 4-17	N76502 5-6, 5-7
N68390 4-13	N72163 5-8	N74334 4-15, 4-17	
N68395 4-13	N72166 5-8	N74340 1-7, 1-11	P
N68790 6-2	N72169 5-9	N74900 1-7, 1-11	P7C616 4-15, 4-17
N68950 4-55, 4-57	N72172 5-9	N74902 1-7, 1-11	P61D20 1-3, 1-5
N69294 5-15, 5-17, 5-19, 5-21, 5-23, 5-25, 5-27, 5-29, 5-31, 5-33, 5-35, 5-37, 5-39, 5-41, 5-43, 5-45, 5-71, 5-73, 5-75, 5-77, 5-79, 5-81, 5-83, 5-85, 5-87, 5-89, 5-91, 5-93, 5-95, 5-97, 5-99, 5-101, 5-103, 5-105, 5-107, 5-109, 5-110	N72180 4-53	N74903 1-7, 1-11	R
	N72181 4-53	N74998 1-53, 1-55, 4-15, 4-17	R480034 5-9, 5-15, 5-17, 5-19, 5-21, 5-23, 5-25, 5-27, 5-31, 5-33, 5-35, 5-37, 5-39, 5-41, 5-43, 5-47, 5-49, 5-51, 5-53, 5-55, 5-57, 5-59, 5-61, 5-63, 5-65, 5-67, 5-69, 5-71, 5-73, 5-75, 5-77, 5-79, 5-81, 5-83, 5-91, 5-93, 5-95, 5-97, 5-99, 5-101, 5-103, 5-110
	N72541 4-53		R480055 5-47, 5-49, 5-51, 5-53, 5-55, 5-57, 5-59, 5-61, 5-63, 5-65, 5-67, 5-69
	N72542 4-53		R480060 5-47, 5-49, 5-51, 5-53, 5-55, 5-57, 5-59, 5-61, 5-63, 5-65, 5-67, 5-69
	N72543 4-53		S
	N72592 5-71, 5-73, 5-75, 5-77, 5-79, 5-81, 5-83, 5-85, 5-87, 5-89, 5-91, 5-93, 5-95, 5-97, 5-99, 5-101, 5-103, 5-105, 5-107, 5-109	N75705 ii	S-711 4-19, 4-21, 4-23, 4-25, 4-27, 4-29, 4-31, 4-33, 4-35, 4-37, 4-39, 4-41, 4-43, 4-45, 4-47
	N72719 5-13, 5-73, 5-75, 5-79, 5-93, 5-95, 5-99	N75706 ii	S-752 1-5, 1-7, 1-9, 1-11, 1-21, 1-23, 1-25, 1-29, 1-31, 1-33, 1-35, 1-37, 1-39, 2-4, 2-5, 2-6, 3-10, 3-11, 3-12, 3-13
	N72832 5-29, 5-85, 5-87, 5-89	N75708 ii	S-766 5-29, 5-45, 5-85, 5-87, 5-89, 5-105, 5-107, 5-109
	N72833 5-29, 5-45, 5-85, 5-87, 5-89, 5-105, 5-107, 5-109	N75770 5-9, 5-71, 5-73, 5-75, 5-77, 5-79, 5-81, 5-83, 5-85, 5-87, 5-89, 5-91, 5-93, 5-95, 5-97, 5-99, 5-101, 5-103, 5-105, 5-107, 5-109	S-776 5-110
	N72834 5-29, 5-45, 5-85, 5-87, 5-89, 5-105, 5-107, 5-109	N75771 5-9, 5-15, 5-17, 5-19, 5-21, 5-23, 5-25, 5-27, 5-29, 5-31, 5-33, 5-35, 5-37, 5-39, 5-41, 5-43, 5-45, 5-71, 5-73, 5-75, 5-77, 5-79, 5-81, 5-83, 5-85, 5-87, 5-89, 5-91, 5-93, 5-95, 5-97, 5-99, 5-101, 5-103, 5-105, 5-107, 5-109	S-951 1-7, 1-9, 1-11, 1-21, 1-23, 1-25, 1-29, 1-31, 1-33, 1-35, 1-37, 1-39
	N72996 5-8, 5-9	N75812 5-15, 5-17, 5-19, 5-21, 5-23, 5-25, 5-27, 5-29, 5-31, 5-33, 5-35, 5-37, 5-39, 5-41, 5-43, 5-45, 5-71, 5-73, 5-75, 5-77, 5-79, 5-81, 5-83, 5-85, 5-87, 5-89, 5-91, 5-93, 5-95, 5-97, 5-99, 5-101, 5-103, 5-105, 5-107, 5-109	
	N73068 5-29, 5-45, 5-85, 5-87, 5-89, 5-105, 5-107, 5-109	N75813 5-71, 5-73, 5-75, 5-77, 5-79, 5-81, 5-83, 5-85, 5-87, 5-89, 5-91, 5-93, 5-95, 5-97, 5-99, 5-101, 5-103, 5-105, 5-107, 5-109	
	N73085 5-15, 5-17, 5-19, 5-21, 5-23, 5-25, 5-27, 5-29, 5-31, 5-33, 5-35, 5-37, 5-39, 5-41, 5-43, 5-45, 5-71, 5-73, 5-75, 5-77, 5-79, 5-81, 5-83, 5-85, 5-87, 5-89, 5-91, 5-93, 5-95, 5-97, 5-99, 5-101, 5-103, 5-105, 5-107, 5-109, 5-110	N75920 5-6	
	N73186 5-105, 5-107, 5-109	N75921 5-6	
	N73189 5-105, 5-107, 5-109		
	N73733 4-15, 4-17		
	N73748 4-15, 4-17		
	N73749 4-15, 4-17		

S-1175 1-29, 1-33, 1-37, 1-49, 1-51	S39549 4-11	S47337 3-19	S62722 1-3, 1-5
S-1191 1-15, 1-23, 1-25	S39649 5-51, 3-5, 5-15, 5-17, 5-19, 5-21, 5-23, 5-25, 5-27, 5-31, 5-33, 5-35, 5-37, 5-39, 5-41, 5-43, 5-47, 5-49, 5-53, 5-55, 5-57, 5-59, 5-61, 5-63, 5-65, 5-67, 5-69, 5-71, 5-73, 5-75, 5-77, 5-79, 5-81, 5-83, 5-91, 5-93, 5-95, 5-97, 5-99, 5-101, 5-103, 5-105, 5-107, 5-109	S47593 3-12, 4-55	S62723 1-3, 1-5
S-1299 5-11, 5-13, 5-23, 5-39, 5-55, 5-67, 5-79, 5-99	S39665 1-3, 1-5	S47597 4-11	S62986 3-7
S-1925 1-29, 1-33, 1-49	S39780 1-3, 1-5, 1-21, 1-23, 1-25, 1-29, 1-31, 1-33, 1-35, 1-37, 1-39, 1-41, 6-5, 6-9, 6-11, 1-43	S47799 4-19, 4-27, 4-29, 4-31, 4-33, 4-35, 4-37, 4-39, 4-41, 4-43, 4-45, 4-47, 4-50	S62998 3-7
S-1934 5-110	S42294 3-3, 3-5	S47973 4-19, 4-21, 4-23, 4-25, 4-27, 4-29, 4-31, 4-33, 4-35, 4-37, 4-39, 4-41, 4-43, 4-45, 4-47	S64119 3-7
S13336 1-52, 1-54, 1-55, 4-29, 4-31, 4-33, 4-35, 4-39, 4-41, 4-43, 1-53, 4-45	S42865 3-18, 3-19	S47980 3-20, 3-21, 3-22, 3-23	S64172 3-7
S13337 4-13	S42952 1-3, 1-5, 3-3, 3-5	S48813 3-21	S64194 3-3, 3-14
S26462 1-3, 1-5, 1-21, 1-23, 1-25, 1-29, 1-31, 1-33, 1-35, 1-37, 1-39, 1-41, 6-5, 6-9, 6-11, 1-43	S42965 3-20, 3-21	S48814 3-15, 3-16, 3-17, 3-21	S64195 3-3, 3-14
S27987 1-11, 1-37, 3-15, 3-16, 3-17, 3-18, 3-19, 3-20, 3-21, 3-22, 3-23, 4-3, 4-5, 4-7, 4-9, 4-13, 4-15, 4-17, 4-29, 4-31, 4-33, 4-35, 4-37, 4-39, 4-41, 4-43, 4-45, 4-47, 4-50, 4-57, 4-59, 5-15, 5-17, 5-19, 5-21, 5-23, 5-25, 5-27, 5-29, 5-31, 5-33, 5-35, 5-37, 5-39, 5-41, 5-43, 5-45, 5-47, 5-49, 5-51, 5-53, 5-55, 5-57, 5-59, 5-61, 5-63, 5-65, 5-67, 5-69, 5-71, 5-73, 5-75, 5-77, 5-79, 5-81, 5-83, 5-85, 5-87, 5-89, 5-91, 5-93, 5-95, 5-97, 5-99, 5-101, 5-103, 5-105, 5-107, 5-109	S42967 4-19, 4-21, 4-27, 4-29, 4-31, 4-33, 4-35, 4-37	S48842 3-10, 3-11, 3-12, 3-13	S64200 1-7, 1-13, 1-15, 1-17
S28159 4-15, 4-17	S42969 4-23, 4-25, 4-39, 4-41, 4-43, 4-45, 4-47	S48843 3-10, 3-11, 3-12, 3-13	S64210 1-21, 1-23, 1-25, 1-29, 1-31, 1-33, 1-35, 1-37, 1-39
S29958 4-19, 4-21, 4-23, 4-25, 4-27, 4-29, 4-31, 4-33, 4-35, 4-37, 4-39, 4-41, 4-43, 4-45, 4-47	S42998 4-49, 6-3	S48844 3-10, 3-11, 3-12, 3-13	S64225 1-7, 1-13, 1-15, 1-17
S29959 4-19, 4-21, 4-23, 4-25, 4-27, 4-29, 4-31, 4-33, 4-35, 4-37, 4-39, 4-41, 4-43, 4-45, 4-47	S44300 3-14	S48845 4-49	S64240 1-3, 1-13, 1-15, 1-17
S29960 4-3, 4-5, 4-7, 4-9	S44353 4-7, 4-9, 4-23, 4-25, 4-35, 4-39, 4-41, 4-43, 4-45, 4-47	S48846 3-10, 3-11	S64250 1-33
S29961 4-3, 4-5, 4-7, 4-9	S44468 4-13	S48847 3-10, 3-11, 3-12, 3-13	S64260 1-35
S29967 4-3, 4-5, 4-7, 4-9, 4-19, 4-21, 4-23, 4-25, 4-27, 4-29, 4-31, 4-33, 4-35, 4-37, 4-39, 4-41, 4-43, 4-45, 4-47	S44715 1-3, 1-5	S48848 3-10, 3-11, 3-12, 3-13	S64270 1-35
S31980 3-19	S44716 1-3, 1-5	S48849 3-10, 3-11, 3-12, 3-13	S64273 1-3
S32590 1-11	S44717 1-3, 1-5	S48850 3-9, 3-10, 3-11	S64290 1-33
S33420 5-4, 5-5	S44900 3-14	S49260 3-3, 3-5	S64300 1-3, 1-5, 6-2
S34465 1-9	S44930 4-49, 4-50	S49536 3-22	S64303 1-21, 1-23, 1-25, 1-29, 1-31, 1-33, 1-35, 1-37, 1-39
S39391 1-3, 1-5	S44932 4-49, 4-50	S49537 3-23	S64305 1-21, 1-23, 1-25, 1-29, 1-31, 1-33, 1-35, 1-37, 1-39, 6-5, 6-9, 6-11, 1-43
S39539 4-3, 4-5, 4-7, 4-9	S44976 3-23	S50245 3-20, 3-21, 3-22, 3-23	S64310 1-3, 1-5
S39548 4-11	S44977 3-22	S50246 3-3, 3-5, 3-10, 3-11, 3-12, 3-13	S64316 1-45, 1-47, 1-49, 1-51
	S45269 3-19	S50247 3-3, 3-5, 3-10, 3-11, 3-12, 3-13	S64325 1-3, 1-5, 1-21, 1-23, 1-25, 1-29, 1-31, 1-33, 1-35, 1-37, 1-39, 1-41, 1-47, 6-5, 6-9, 6-11, 1-43
	S45312 3-20, 3-21, 3-22, 3-23	S51464 3-3, 3-5	S64327 1-45, 1-47, 1-49, 1-51
	S45313 3-20, 3-21, 3-22, 3-23	S51466 3-3, 3-5	S64335 1-21, 1-23, 1-25, 1-29, 1-31, 1-33, 1-35, 1-37, 1-39
	S45470 3-20, 3-21	S51469 3-22	S64355 6-2
	S45796 1-27	S51470 3-23	S64360 1-3, 1-5
	S46181 3-20, 3-22, 3-23	S54297 6-3	S64390 1-17
	S46384 3-21	S54298 6-3	S64416 1-13, 1-15, 1-17, 1-19, 1-23, 1-25, 1-29, 1-33, 1-41
	S47076 3-15, 3-16, 3-17, 3-20, 3-21, 3-22, 3-23	S55498 1-7, 1-9, 1-11	S64672 3-7
	S47093 3-14	S55629 1-9, 1-11	S64673 3-3, 3-10
	S47095 4-49	S55639 1-9, 1-11	S64698 3-3
	S47110 3-3, 5-85, 3-5, 5-29, 5-45, 5-87, 5-89, 5-105, 5-107, 5-109, 5-110	S56482 3-16	S64759 3-7
	S47128 3-20, 3-21, 3-22, 3-23	S56483 3-17	S64900 1-7, 1-52, 1-53
		S56485 3-15	S64905 1-45, 1-47, 1-49, 1-51
		S56558 6-3	S64909 1-47
		S58157 4-19, 4-21, 4-23, 4-25, 4-27, 4-29, 4-31, 4-33, 4-35, 4-37, 4-39, 4-41, 4-43, 4-45, 4-47	S64910 1-45, 1-47, 1-49, 1-51
		S59806 3-9	S64912 1-45, 1-47, 1-49, 1-51
			S64914 1-47
			S64918 1-49, 1-51

S64940 4-55,4-61	S65337 2-4	S65692 6-12	33,5-35,5-37,5-39,5-
S64944 1-21,1-23,1-25,1-29,1-31,1-33,1-35,1-37,1-39	S65339 2-4,2-5	S65735 4-13	41,5-43,5-47,5-49,5-
S64947 2-2	S65340 1-23	S65738 1-3,1-5,6-2	51,5-53,5-55,5-57,5-
S64948 1-7,1-9,1-11	S65345 1-23	S65740 1-3,1-5,6-2	59,5-61,5-63,5-65,5-
S64949 2-2	S65350 1-27	S65742 1-3,1-5	67,5-69,5-71,5-73,5-
S64950 1-7,1-9,1-11	S65355 1-27	S65750 6-12	75,5-77,5-79,5-81,5-
S64955 1-7,1-9,1-11	S65360 1-15	S65755 6-12	83,5-91,5-93,5-95,5-
S64958 ,6-5,6-7,6-9,1-43	S65365 1-23	S65765 6-5,6-7,6-9,6-11	97,5-99,5-101,5-103
S64960 1-7,2-2	S65367 1-27	S65767 6-11	S66435 1-13,1-15,1-17,5-
S64961 1-29,1-37	S65368 1-27	S65769 6-11	15,5-17,5-19,5-21,5-
S64963 1-29,1-37	S65369 1-27	S65771 6-11	23,5-25,5-27,5-31,5-
S64967 1-31	S65370 1-17	S65773 6-11	33,5-35,5-37,5-39,5-
S64969 1-31	S65372 1-27	S65778 ,1-43	41,5-43,5-47,5-49,5-
S64970 1-21,1-23,1-25,1-29,1-31,1-33,1-35,1-7	S65374 1-27	S65780 ,1-43	51,5-53,5-55,5-57,5-
S64994 1-15	S65375 1-13	S65782 6-9	59,5-61,5-63,5-65,5-
S64995 1-15	S65380 4-27	S65784 6-9	67,5-69,5-71,5-73,5-
S64998 2-4	S65382 5-11,5-17,5-19,5-23,5-33,5-35,5-39,5-49,5-51,5-55,5-61,5-63,5-67	S65787 6-5,6-7	75,5-77,5-79,5-81,5-
S64999 2-4	S65390 5-11,5-13,5-15,5-21,5-27,5-31,5-37,5-43,5-47,5-53,5-57,5-59,5-65,5-69,5-71,5-77,5-83,5-91,5-97,5-103	S65789 6-5,6-7	83,5-91,5-93,5-95,5-
S65000 3-3	S65397 4-5,4-19,4-27,4-29,4-31,4-33,4-35,4-47	S65791 6-7	97,5-99,5-101,5-103
S65009 3-7,3-9	S65398 4-3,4-5,4-7,4-47	S65799 1-52,1-53,1-54,1-55	S66436 4-23,4-25,4-27,4-33,4-43
S65037 3-7	S65407 4-7,4-21,4-25,4-27,4-31,4-33,4-35,4-37,4-39,4-41,4-43,4-45,4-47	S65821 3-3	S66437 4-25,4-27
S65038 3-7	S65408 4-3,4-5,4-7,4-9,4-47	S65851 3-3	S66438 4-21,4-31,4-33,4-35,4-43
S65039 3-7	S65409 4-3,4-5,4-7,4-33,4-35,4-43	S65852 3-3	S66442 1-3,1-5
S65048 3-7	S65411 4-5	S65881 6-11	S66474 1-21,1-23,1-25,1-29,1-31,1-33,1-35,1-37,1-39
S65061 3-3,3-5	S65419 4-3,4-5,4-7,4-37,4-45	S65883 6-7	S66476 1-21,1-23,1-25,1-29,1-31,1-33,1-35,1-37,1-39
S65070 3-3	S65420 4-7,4-9,4-19,4-21,4-23,4-25,4-27,4-29,4-31,4-33,4-35,4-39,4-41,4-43,4-45	S65884 6-5	S66754 4-19,4-21,4-23,4-25,4-27,4-29,4-31,4-33,4-35,4-37,4-39,4-41,4-43,4-45,4-47
S65074 3-15,3-16,3-17	S65421 4-3,4-5,4-7,4-9	S66015 1-19,4-37,4-47	S66755 4-19,4-21,4-23,4-25,4-27,4-29,4-31,4-33,4-35,4-37,4-39,4-41,4-43,4-45,4-47
S65128 4-3,4-5,4-7,4-9,4-13	S65437 4-27,4-29,4-31,4-33,4-35,4-37,4-39,4-41,4-45	S66171 3-3,3-5	S66758 4-19,4-21,4-23,4-25,4-27,4-29,4-31,4-33,4-35,4-37,4-39,4-41,4-43,4-45,4-47
S65129 4-3,4-5,4-7,4-9,4-19,4-21,4-23,4-25,4-27,4-29,4-31,4-33,4-35,4-37,4-39,4-41,4-43,4-45,4-47	S65441 4-5	S66236 1-3,1-5,6-2	S67170 3-3,4-19,4-21,3-5,4-17,4-23,4-25,4-27,4-29,4-31,4-33,4-35,4-37,4-39,4-41,4-43,4-45,4-47
S65150 1-7,1-9,1-11	S65419 4-3,4-5,4-7,4-37,4-45	S66243 4-19,4-21,4-23,4-25,4-27,4-29,4-31,4-33,4-35,4-37,4-39,4-41,4-43,4-45,4-47	S67250 1-13,1-15,1-17,5-15,5-17,5-19,5-21,5-23,5-25,5-27,5-31,5-33,5-35,5-37,5-39,5-41,5-43,5-47,5-49,5-51,5-53,5-55,5-57,5-59,5-61,5-63,5-65,5-67,5-69,5-71,5-73,5-75,5-77,5-79,5-81,5-83,5-91,5-93,5-95,5-
S65151 1-7,1-9,1-11	S65420 4-7,4-9,4-19,4-21,4-23,4-25,4-27,4-29,4-31,4-33,4-35,4-39,4-41,4-43,4-45	S66246 1-7,1-9,1-11	
S65152 1-7,1-9,1-11	S65421 4-3,4-5,4-7,4-9	S66251 3-7,3-9	
S65153 1-7,1-9,1-11,1-13,1-15,1-17,1-19,1-27,1-29,1-33,1-37,1-39	S65437 4-27,4-29,4-31,4-33,4-35,4-37,4-39,4-41,4-45	S66255 1-23	
S65154 1-7,1-9,1-11	S65441 4-5	S66267 3-12,4-55	
S65155 1-7,1-9,1-11	S65449 4-3,4-5,4-7,4-9	S66278 3-12,4-55	
S65156 4-3,4-5,4-7,4-9	S65451 4-3,4-5,4-7,4-37,4-45	S66294 1-7	
S65157 4-19,4-21,4-23,4-25,4-27,4-29,4-31,4-33,4-35,4-37,4-39,4-41,4-43,4-45,4-47	S65459 4-3,4-5,4-7,4-37,4-45	S66295 1-21,1-23,1-25,1-29,1-31,1-33,1-35,1-37,1-39	
S65305 1-21,1-23,1-25	S65467 4-3,4-5,4-7,4-37,4-45	S66296 1-7	
S65310 1-21,1-23,1-25	S65475 4-3,4-5,4-7,4-37,4-45	S66297 1-21,1-23,1-25,1-29,1-31,1-33,1-35,1-37,1-39	
S65330 1-13	S65483 4-3,4-5,4-7,4-37,4-45	S66337 3-3,3-5	
S65332 2-4	S65491 4-3,4-5,4-7,4-37,4-45	S66338 3-3,3-5	
S65333 2-4,2-5	S65499 4-3,4-5,4-7,4-37,4-45	S66403 3-3,3-5	
S65334 2-4	S65507 4-3,4-5,4-7,4-37,4-45	S66430 1-13,1-15,1-17,5-15,5-17,5-19,5-21,5-23,5-25,5-27,5-31,5-	
S65335 2-4,2-5	S65515 4-3,4-5,4-7,4-37,4-45		
S65336 2-4,2-5	S65523 4-3,4-5,4-7,4-37,4-45		

97, 5-99, 5-101, 5-103	S69721 4-50	S72480 1-39	S73367 2-3
S67303 3-9	S69855 1-55, 4-15, 4-17	S72485 1-39	S73368 2-3
S67304 3-9	S69859 4-15, 4-17	S72490 1-9, 1-11	S73369 1-11, 2-3
S67305 3-9	S71726 3-5	S72497 1-9, 1-11	S73371 1-11, 2-3
S67316 4-61	S71729 4-50	S72499 1-9, 1-11	S73373 1-19
S67317 4-61, 4-62	S71730 4-50	S72600 1-5, 1-19	S73374 3-5
S67318 4-61, 4-62	S71731 4-50	S72630 1-5	S73390 4-37, 4-47
S67319 4-61, 4-62	S71732 4-50	S72636 1-5	S73391 4-47
S67320 4-61, 4-62	S71733 4-50	S72638 1-41	S73392 5-110
S67388 1-3, 1-5, 6-2	S71738 3-12, 4-55	S72640 1-39, 1-41	S73602 4-15, 4-17
S67473 1-15, 1-17, 1-41, 1-47, 1-49	S71846 3-5	S72650 1-39, 1-41	S73603 4-15, 4-17
S67474 1-15, 1-17, 1-47, 1-49	S71923 1-29, 1-33, 1-37, 1-49, 1-51	S72655 1-39, 1-41	S73604 4-15, 4-17
S67475 1-15, 1-17, 1-47, 1-49	S72042 3-7	S72660 1-39, 1-41	S73680 3-7
S67549 3-9	S72046 3-9	S72670 1-41	S73685 3-7
S67613 3-9	S72060 3-9, 3-11, 3-13	S72675 1-41	S73724 1-53, 4-15, 4-17
S67715 3-12, 4-55	S72061 3-7, 3-9	S72680 1-41	S73725 3-7, 3-12
S67716 3-12, 4-55	S72065 3-9, 3-11	S72683 1-41	S73732 1-53, 4-15, 4-17
S67885 3-12, 4-55	S72075 3-14	S72684 1-41	S73828 , 1-54
S67899 1-7, 1-9, 1-11	S72080 1-7, 1-9, 1-11, 1-21, 1-25, 1-29, 1-31, 1-33, 1-35, 1-37, 1-39, 1-23	S72685 1-19	S73874 4-13
S67944 3-5	S72081 2-5	S72698 1-19	S74156 5-107, 5-109
S68006 4-19, 4-21, 4-23, 4-25, 4-27, 4-29, 4-31, 4-33, 4-35, 4-37, 4-39, 4-41, 4-43, 4-45, 4-47, 4-55, 4-57, 4-59, 4-62	S72082 2-5	S72700 1-9, 1-11, 1-54, 1-55	S74901 1-11
S68007 4-62	S72083 2-5	S72735 1-51, 4-11	S76544 5-110
S68008 4-62	S72084 2-5	S72770 4-11	S76545 5-110
S68009 3-3	S72094 3-13, 4-57, 4-59	S72825 1-9, 1-11, 2-3	S76546 5-110
S68142 4-49	S72185 3-15	S72826 2-3	
S68273 3-3	S72190 3-13, 4-57, 4-59	S72827 2-3	T
S68415 1-25, 1-33, 4-19, 4-21, 4-23, 4-25, 4-27, 4-29, 4-31, 4-33, 4-35, 4-37, 4-39, 4-41, 4-43, 4-45, 4-47	S72200 3-13, 4-57, 4-59	S72860 1-9, 1-11, 1-19	T-5245 1-27, 1-45, 1-47, 1-49, 1-51
S68655 2-2	S72292 3-13, 4-57, 4-59	S72875 1-9	
S68660 1-7, 1-21, 1-23, 1-25, 1-29, 1-31, 1-33, 1-35, 1-37, 1-39, 2-2	S72297 3-5	S72946 1-51, 4-11	
S68805 1-25	S72302 3-5	S72948 1-41, 4-9	W
S68809 1-25	S72303 3-5	S72949 1-37, 4-9	W-187 1-27, 1-41, 5-51, 5-53, 5-55, 5-57, 4-9, 5-11, 5-13, 5-15, 5-17, 5-19, 5-21, 5-23, 5-25, 5-27, 5-29, 5-31, 5-33, 5-35, 5-37, 5-39, 5-41, 5-43, 5-45, 5-47, 5-49, 5-51, 4-55, 4-57, 5-59, 4-59, 5-61, 5-63, 5-65, 5-67, 5-69, 5-71, 5-73, 5-75, 5-77, 5-79, 5-81, 5-83, 5-85, 5-87, 5-89, 5-91, 5-93, 5-95, 5-97, 5-99, 5-101, 5-103, 5-105, 5-107, 5-109
S68920 4-5	S72306 3-15	S72979 5-29, 5-45, 5-85, 5-105	W-418 3-10, 3-11, 3-12, 3-13
S68925 4-5	S72308 3-17	S73086 3-14	W-469 4-13, 5-9, 5-11, 5-13
S68999 1-49	S72309 3-16	S73105 4-11	W-472 1-52, 1-54, 4-13
S69044 4-61	S72310 3-18, 3-19, 3-20, 3-21, 3-22, 3-23	S73107 ii	W-475 1-23, 1-25, 1-29, 1-33, 1-37, 1-45, 1-47, 1-49, 1-51, 4-15, 4-17, 4-19, 4-21, 4-23, 4-25, 4-27, 4-29, 4-31, 4-33, 4-35, 4-37, 4-39, 4-41, 4-43, 4-45, 4-47, 4-53
S69047 1-49, 1-51	S72321 3-3, 3-5, 3-15	S73108 1-51	W-476 1-5, 1-41, 3-10, 3-
S69115 3-3	S72322 3-3, 3-5, 3-15	S73110 1-9, 1-11, 1-54, 1-55	
S69118 1-49, 1-51	S72323 3-3, 3-5, 3-17	S73139 1-5	
S69154 3-12, 4-55	S72324 3-3, 3-5, 3-16	S73152 4-9	
S69305 3-5	S72325 3-3, 3-5, 3-18	S73153 4-9	
S69349 3-3	S72391 5-29, 5-45, 5-85, 5-87, 5-89, 5-105, 5-107, 5-109	S73154 4-9	
S69360 3-9	S72395 5-110	S73155 4-9	
S69398 3-7, 3-9	S72398 5-29, 5-45, 5-85, 5-87, 5-89, 5-105, 5-107, 5-109	S73156 4-9	
S69573 1-41	S72410 1-41	S73157 4-9	
S69574 3-9	S72420 5-110	S73158 4-9	
S69598 3-9	S72421 5-110	S73159 4-9	
S69720 4-50	S72422 5-110	S73160 4-9	
	S72428 5-110	S73161 4-9	
	S72429 5-110	S73224 5-110	
	S72431 5-110	S73260 3-7	
		S73263 4-57, 4-59	
		S73264 4-57, 4-59	
		S73265 4-57, 4-59	
		S73284 3-9	
		S73310 3-14	
		S73330 1-11, 1-19	

11, 3-12, 3-13, 6-12
W-477 3-15, 3-16, 3-17
W-478 1-41, 4-9
W-479 3-10, 3-12, 4-55
W-480 3-9, 3-11, 3-13, 4-57, 4-59, 5-11, 5-13, 5-29, 5-31, 5-37, 5-41, 5-43, 5-45, 5-59, 5-65, 5-69, 5-85, 5-87, 5-89, 5-91, 5-97, 5-101, 5-103, 5-105, 5-107, 5-109
W-481 1-37, 4-9
W-484 5-110
W-485 4-49
W-486 1-29, 1-33, 1-49
W-487 3-3, 3-5
W-490 1-3, 1-5
W-491 1-3, 1-5
W-492 5-105, 5-107, 5-109, 5-110
W-496 1-7
W-512 4-3, 4-5, 4-7, 4-9, 4-11, 4-13, 4-19, 4-21, 4-23, 4-25, 4-27, 4-29, 4-31, 4-33, 4-35, 4-37, 4-39, 4-41, 4-43, 4-45, 4-47, 4-53
W-513 4-13
W-514 4-3, 4-5, 4-7, 4-9, 5-11, 4-13, 4-15, 4-17, 4-19, 4-21, 4-23, 4-25, 4-27, 4-29, 4-31, 4-33, 4-35, 4-37, 4-39, 4-41, 4-43, 4-45, 4-47, 5-13, 4-17
W-516 1-43, 4-49, 1-52, 1-54, 1-55, 4-13, 1-53, 5-15, 5-17, 5-19, 5-21, 5-23, 5-25, 5-27, 5-31, 5-33, 5-35, 5-37, 5-39, 5-41, 5-43, 5-47, 5-49, 5-51, 5-53, 5-55, 5-57, 5-59, 5-61, 5-63, 5-65, 5-67, 5-69, 5-71, 5-73, 5-75, 5-77, 5-79, 5-81, 5-83, 5-91, 5-93, 5-95, 5-97, 5-99, 5-101, 5-103, 5-110
W-517 4-49, 3-5, 5-15, 5-17, 5-19, 5-21, 5-23, 5-25, 5-27, 5-29, 5-31, 5-33, 5-35, 5-37, 5-39, 5-41, 5-43, 5-45, 5-47, 5-49, 5-51, 5-53, 5-55, 5-57, 5-59, 5-61, 5-63, 5-65, 5-67, 5-69, 5-71, 5-73, 5-75, 5-77, 5-79, 5-81, 5-83, 5-85, 5-87, 5-89, 5-91, 5-93, 5-95, 5-

97, 5-99, 5-101, 5-103, 5-105, 5-107, 5-109
W-518 1-13, 1-15, 1-19, 1-23, 1-25, 1-39, 1-41, 5-15, 5-17, 1-17, 5-19, 5-21, 5-23, 5-27, 5-31, 5-33, 5-35, 5-37, 5-39, 5-43, 1-43, 5-47, 5-49, 5-51, 5-53, 5-55, 5-57, 5-59, 5-61, 5-63, 5-65, 5-67, 5-69, 5-71, 5-73, 5-75, 5-77, 5-79, 5-83, 5-91, 5-93, 5-95, 5-97, 5-103, 5-25, 5-41, 5-81, 5-99, 5-101
W-520 1-13, 1-15, 1-17, 1-19, 1-21, 1-23, 1-25, 1-29, 1-31, 1-33, 1-35, 1-37, 1-39, 6-2
W-521 1-51, 4-3, 4-5, 4-7, 4-11, 4-13, 4-19, 4-21, 4-23, 4-25, 4-27, 4-29, 4-31, 4-33, 4-35, 4-37, 4-39, 4-41, 4-43, 4-45, 4-47, 4-53
W-522 3-9, 4-13
W-523 4-3, 4-5, 4-7, 4-9, 5-11, 4-13, 4-15, 4-17, 4-19, 4-21, 4-23, 4-25, 4-27, 4-29, 4-31, 4-33, 4-35, 4-37, 4-39, 4-41, 4-43, 4-45, 4-47, 4-53, 5-13, 4-17
W-525 1-43, 4-49, 1-52, 4-13, 1-54, 5-15, 5-17, 5-19, 5-21, 5-23, 5-25, 5-27, 5-31, 5-33, 5-35, 5-37, 5-39, 5-41, 5-43, 5-47, 5-49, 5-51, 5-53, 5-55, 5-57, 5-59, 5-61, 5-63, 5-65, 5-67, 5-69, 5-71, 5-73, 5-75, 5-77, 5-79, 5-81, 5-83, 5-91, 5-93, 5-95, 5-97, 5-99, 5-101, 5-103, 5-110
W-526 4-49, 3-5, 5-15, 5-17, 5-19, 5-21, 5-23, 5-25, 5-27, 5-29, 5-31, 5-33, 5-35, 5-37, 5-39, 5-41, 5-43, 5-45, 5-47, 5-49, 5-51, 5-53, 5-55, 5-57, 5-59, 5-61, 5-63, 5-65, 5-67, 5-69, 5-71, 5-73, 5-75, 5-77, 5-79, 5-81, 5-83, 5-85, 5-87, 5-89, 5-91, 5-93, 5-95, 5-97, 5-99, 5-101, 5-103, 5-105, 5-107, 5-109

W-527 1-7, 1-9, 1-11, 1-13, 1-15, 1-17, 1-19, 1-21, 1-23, 1-25, 1-29, 1-31, 1-33, 1-35, 1-37, 1-39, 1-41, 5-15, 5-17, 5-19, 5-21, 5-23, 5-27, 5-31, 5-33, 5-35, 5-37, 5-39, 5-43, 1-43, 5-47, 5-49, 5-51, 5-53, 5-55, 5-57, 5-59, 5-61, 5-63, 5-65, 5-67, 5-69, 5-71, 5-73, 5-75, 5-77, 5-79, 5-83, 5-91, 5-93, 5-95, 5-97, 5-103, 5-25, 5-41, 5-81, 5-99, 5-101
W-529 3-10, 3-11, 3-12, 3-13
W-538 4-19, 4-21, 4-23, 4-25, 4-27, 4-29, 4-31, 4-33, 4-35, 4-37, 4-39, 4-41, 4-43, 4-45, 4-47, 4-53, 5-29, 5-45, 5-85, 5-87, 5-89, 5-105, 5-107, 5-109
W-539 1-52, 1-53, 1-54, 1-55
W-867 5-4, 5-5
W-1552 5-9, 5-11, 5-13
W-1854 5-11, 5-13
W14501 4-3, 4-5, 4-7, 4-9, 4-29, 4-31, 4-33, 4-35, 4-37, 4-39, 4-41, 4-43, 4-45, 4-47

--	--	--	--



www.morrisequipment.ca

1891 Albert Street North,
Regina, Saskatchewan
S4R 8R7 Canada
Phone: 306-933-8585
Fax: 306-933-8626

It is the policy of Morris Equipment Ltd. to improve its products whenever it is possible to do so. Morris reserves the right to make changes or add improvements at any time without incurring any obligation to make such changes on machines sold previously.